



**Amortisseur KTM/HVA 85  
43818-E-001B**



**Pièces de rechange**

***BOS Suspension***

*4 Impasse Léonce Couture  
ZA du Mont Blanc  
31200 Toulouse - France*

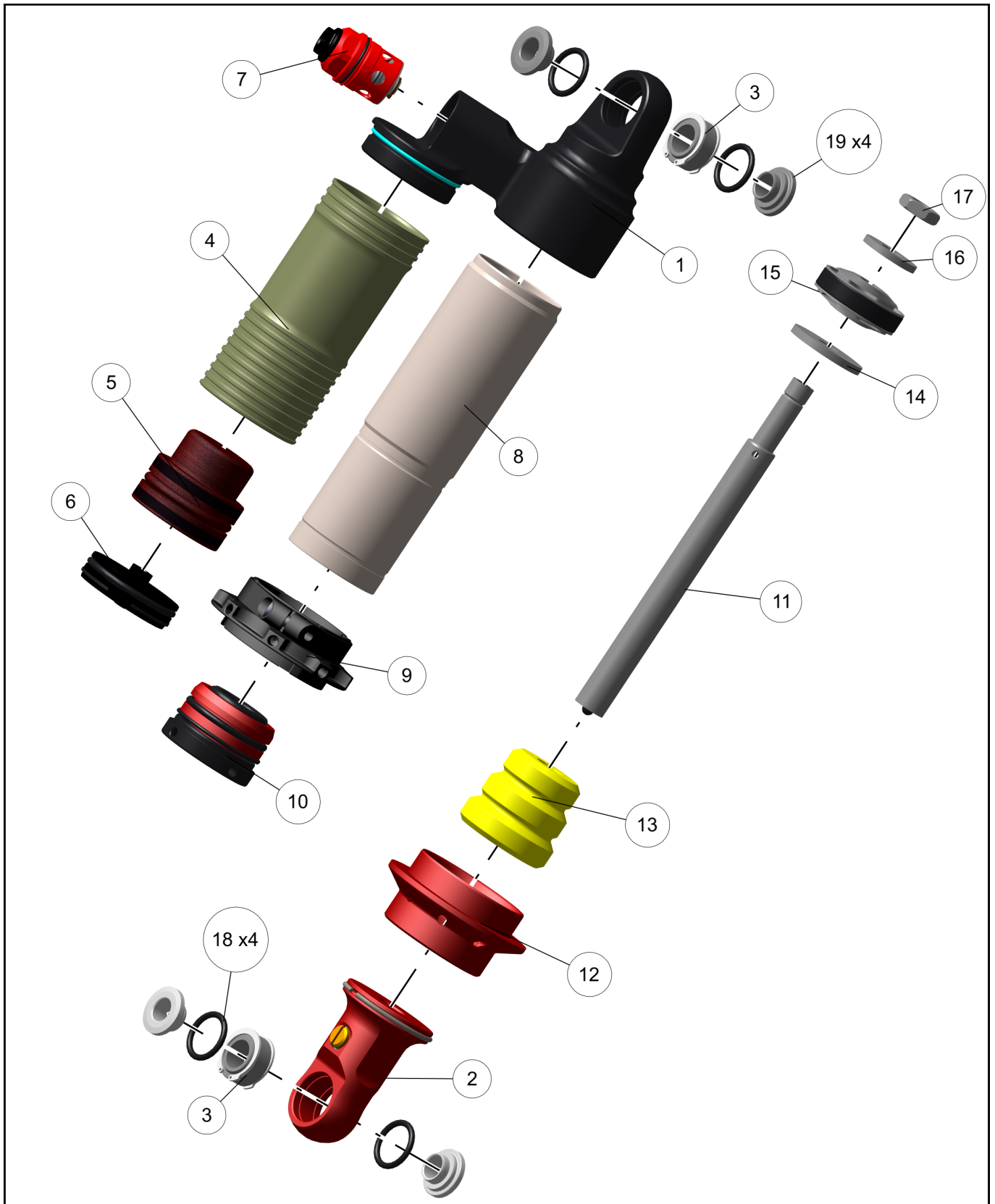
*Mel : [sales@bos-suspension.com](mailto:sales@bos-suspension.com)*

*Tel : +33(0)5 34 25 33 66*



*PR\_AMORTISSEUR-KTM-85*

**ECLATÉ DU PRODUIT**



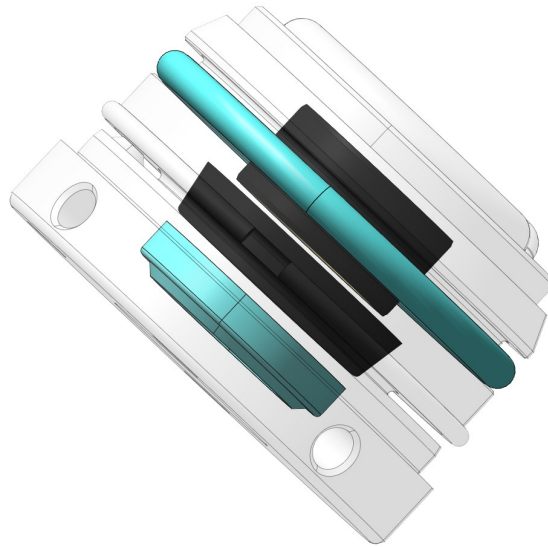
## NOMENCLATURE

| REP | NAME                           | TYPE     | REF              | IND | QTY |
|-----|--------------------------------|----------|------------------|-----|-----|
| 1   | TETE AMORTISSEUR KTM 85        | ASSEMBLY | 001-SE-045       | -   | 1   |
| 2   | PIED AMORTISSEUR KTM 85        | ASSEMBLY | 011-SE-028       | -   | 1   |
| 3   | ROTULE GE15 ASK                | ASSEMBLY | 013-SE-003       | -   | 2   |
| 4   | BOMBONNE D50                   | PART     | 42312D039/120    | -   | 1   |
| 5   | PISTON DIV HT D50              | ASSEMBLY | 004-SE-007       |     | 1   |
| 6   | BOUCHON PLAT D50               | ASSEMBLY | 005-SE-004       | -   | 1   |
| 7   | BLOC COMPRESSION 3MM ACIER 10° | ASSEMBLY | 002-SE-018       | -   | 1   |
| 8   | CYLINDRE ALU FILETÉ D46        | PART     | 91807D301/168    | -   | 1   |
| 9   | ECROU PRECHARGE M52            | ASSEMBLY | 009-SE-005       | -   | 1   |
| 10  | GUIDE TIGE 46X16 HT            | ASSEMBLY | 016-SE-031       | -   | 1   |
| 11  | TIGE D16                       | ASSEMBLY | 015SE018/191/135 | -   | 1   |
| 12  | COUPELLE BETA FACT             | PART     | 42312-D-127      | -   | 1   |
| 13  | TAMPON VULCO D50 L45           | PART     | 92209D064/45     | -   | 1   |
| 14  | TOP PLATE 39.5X4               | PART     | 130402027        | D   | 1   |
| 15  | PISTON LINEAIRE 46X12 HT       | ASSEMBLY | 020-SE-011       | -   | 1   |
| 16  | TOP PLATE 29.5X3.5             | PART     | 91205-D-108      | C   | 1   |
| 17  | ECROU BAS M12X125              | PART     | VEHM12G2         | -   | 1   |
| 18  | JOINT TORIQUE 20X3             | PART     | JT200007A3       | -   | 4   |
| 19  | ENTRETOISE ØE15 ØI12           | PART     | 91807D515/006    | -   | 4   |
| 20  | STICKER BOMBONNE               | PART     | 42312-S-001      | -   | 1   |
| 21  | BL/BH STICKER ADJUSTER         | PART     | S-980910-5584    | -   | 1   |

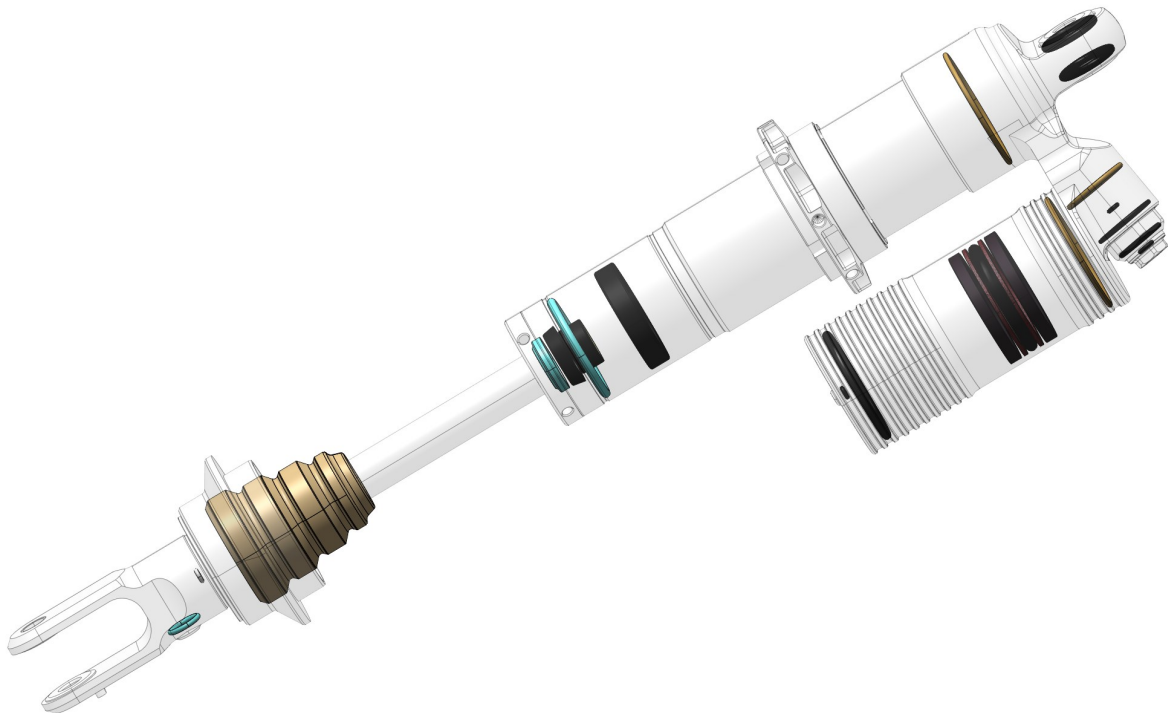
**\* Voir les différents ressorts proposés en page 27**

**KIT DE REVISION**

**KIT REVISION LITE AMORTISSEUR KTM 85**



**KIT REVISION COMPLET AMORTISSEUR KTM 85**



# NOMENCLATURE

| Kit Révision Light 46x16 85cc |   |          |
|-------------------------------|---|----------|
| Référence                     | <b>KREVL-46x16-85</b>                           |          |
| Nomenclature                  |   |          |
| Référence                     | Désignation                                     | Quantité |
| JE01B160A3                    | Joint tige HUR 16x24x6.3 NBR 70                 | 1        |
| JR03B160D                     | Racleur double_Iso 6195C<br>HRDIC1601AU 16x22x4 | 1        |
| JT396909B5                    | Tore_39,69x3,53                                 | 1        |

| Kit Révision Complète 46x16 85cc |   |          |
|----------------------------------|---|----------|
| Référence                        | <b>KREVC-46x16-85</b>                           |          |
| Nomenclature                     |   |          |
| Référence                        | Désignation                                     | Quantité |
| JE01B160A3                       | Joint tige HUR 16x24x6.3 NBR 70                 | 1        |
| JR03B160D                        | Racleur double_Iso 6195C<br>HRDIC1601AU 16x22x4 | 1        |
| JT396909B5                       | Tore_39,69x3,53                                 | 1        |
| GT01A16B                         | Bague guidage_PAP-1610-P10 ou P14               | 1        |
| 130402069C                       | bande guidage piston 46                         | 1        |
| JT380004B5                       | Tore 38x2                                       | 1        |
| JT450012B5                       | Tore 45x5 Vi                                    | 1        |
| JT240002B5                       | Joint torique 24x1,5 Vi                         | 1        |
| JT250004B5                       | Joint torique 25x2 Vi                           | 1        |
| JT200007A3                       | Joint Torique 20x3                              | 2        |

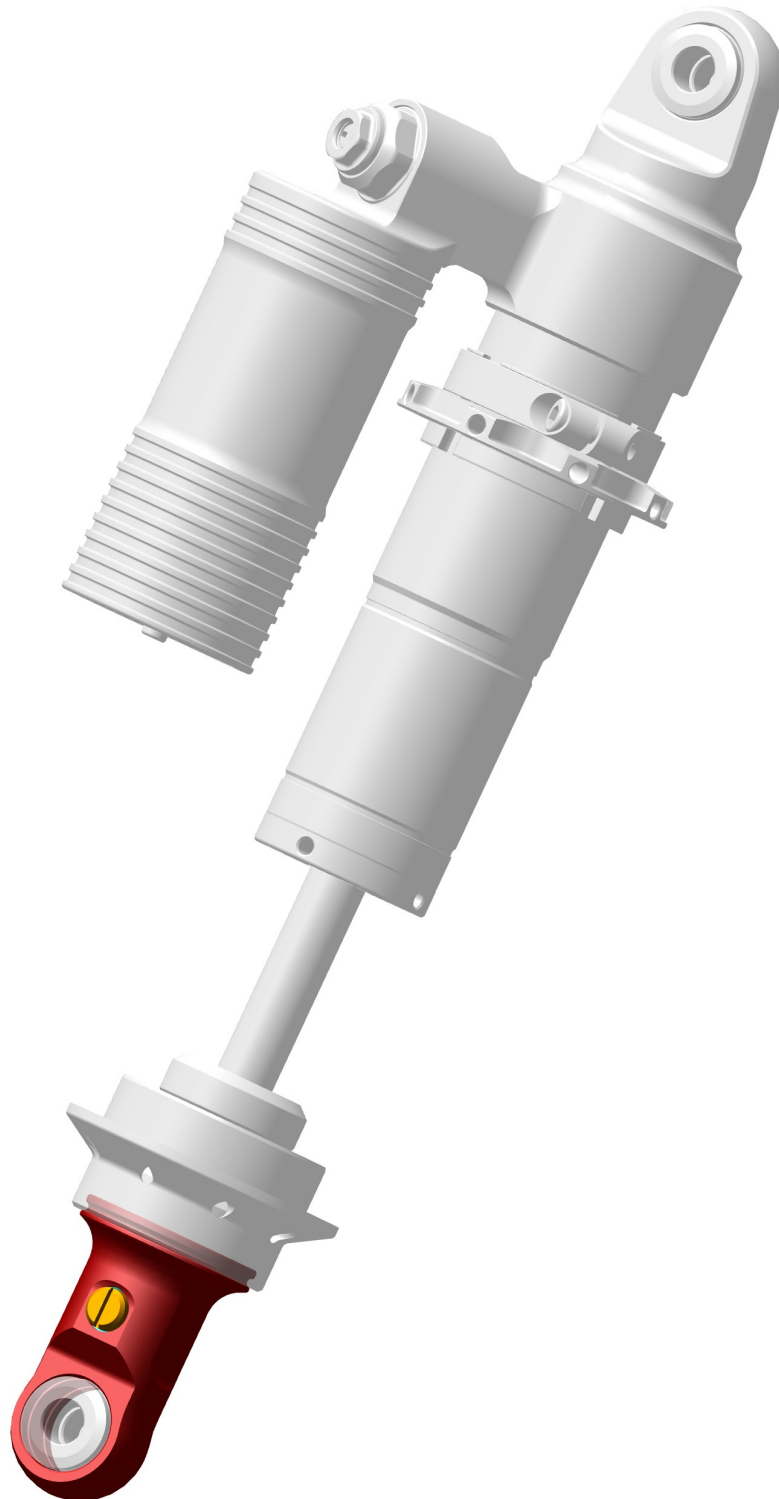
**SE N°1 : 001-SE-045 TETE KTM 85**



**NOMENCLATURE**

| REP | NAME                    | TYPE | REF         | IND | QTY |
|-----|-------------------------|------|-------------|-----|-----|
| 1   | TETE AMORTISSEUR KTM 85 | PART | 43818-D-023 | -   | 1   |
| 2   | JOINT TORIQUE 50X2      | PART | JT500004A3  | -   | 1   |
| 3   | JOINT TORIQUE 48X2      | PART | JT480004A3  | -   | 1   |
| 4   | JOINT TORIQUE 25X2      | PART | JT250004A3  | -   | 1   |

**SE N°2 : 011-SE-028\_PIED AMORTISSEUR KTM 85**

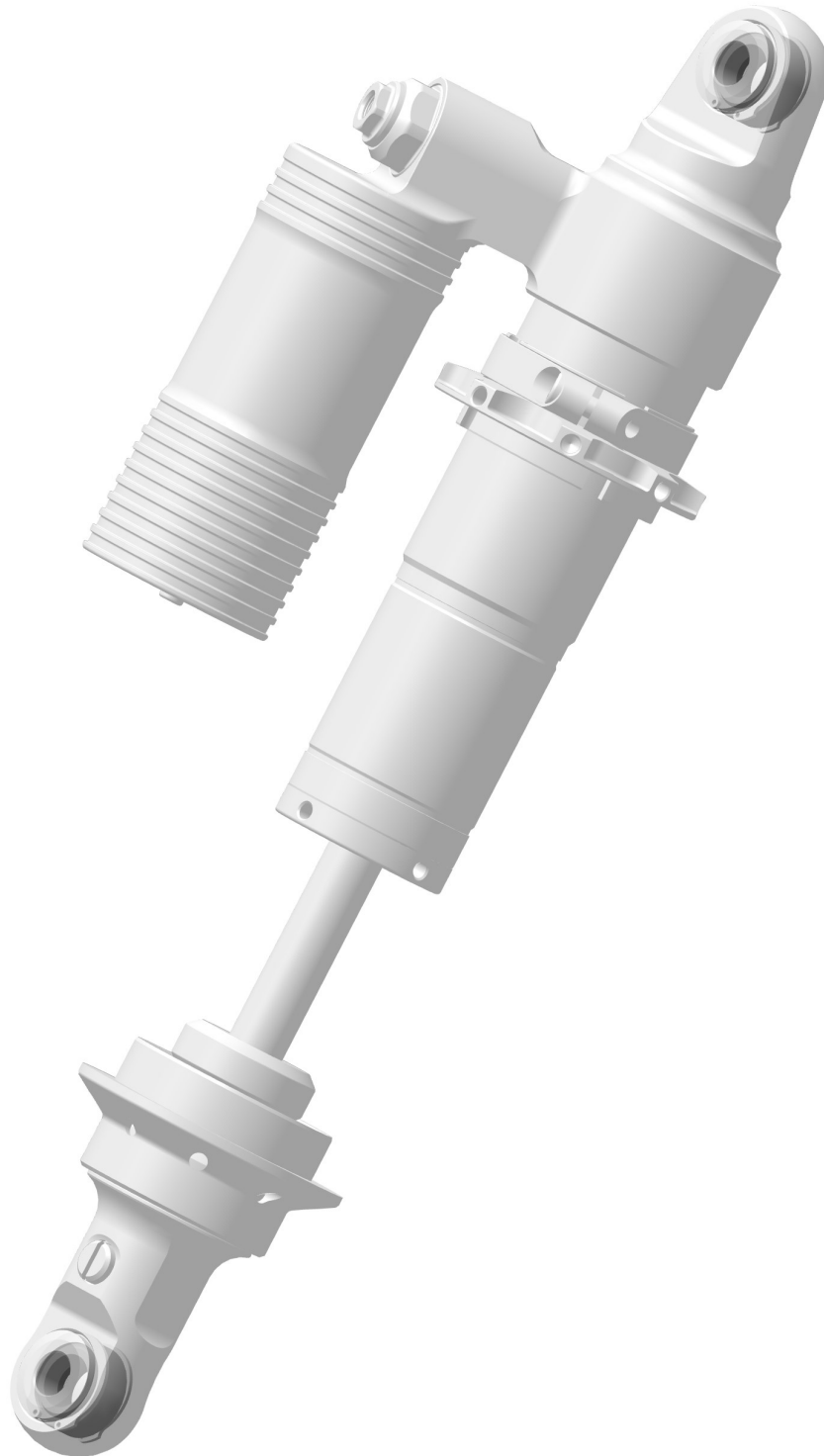




**NOMENCLATURE**

| REP | NAME                     | TYPE | REF         | IND | QTY |
|-----|--------------------------|------|-------------|-----|-----|
| 1   | PIED AMORTISSEUR KTM 85  | PART | 43818-D-022 | -   | 1   |
| 2   | VIS REGLAGE DETENTE      | PART | 92209-D-002 | A   | 1   |
| 3   | JOINT TORIQUE 11X2       | PART | JT110004A3  | -   | 1   |
| 4   | BILLE DIAMETRE 3MM ACIER | PART | B30A        | -   | 2   |
| 5   | RESSORT INDEXATION       | PART | RA8025045B  | -   | 1   |
| 6   | JONC APPUI RESSORT D50   | PART | 91205-D-089 | A   | 1   |

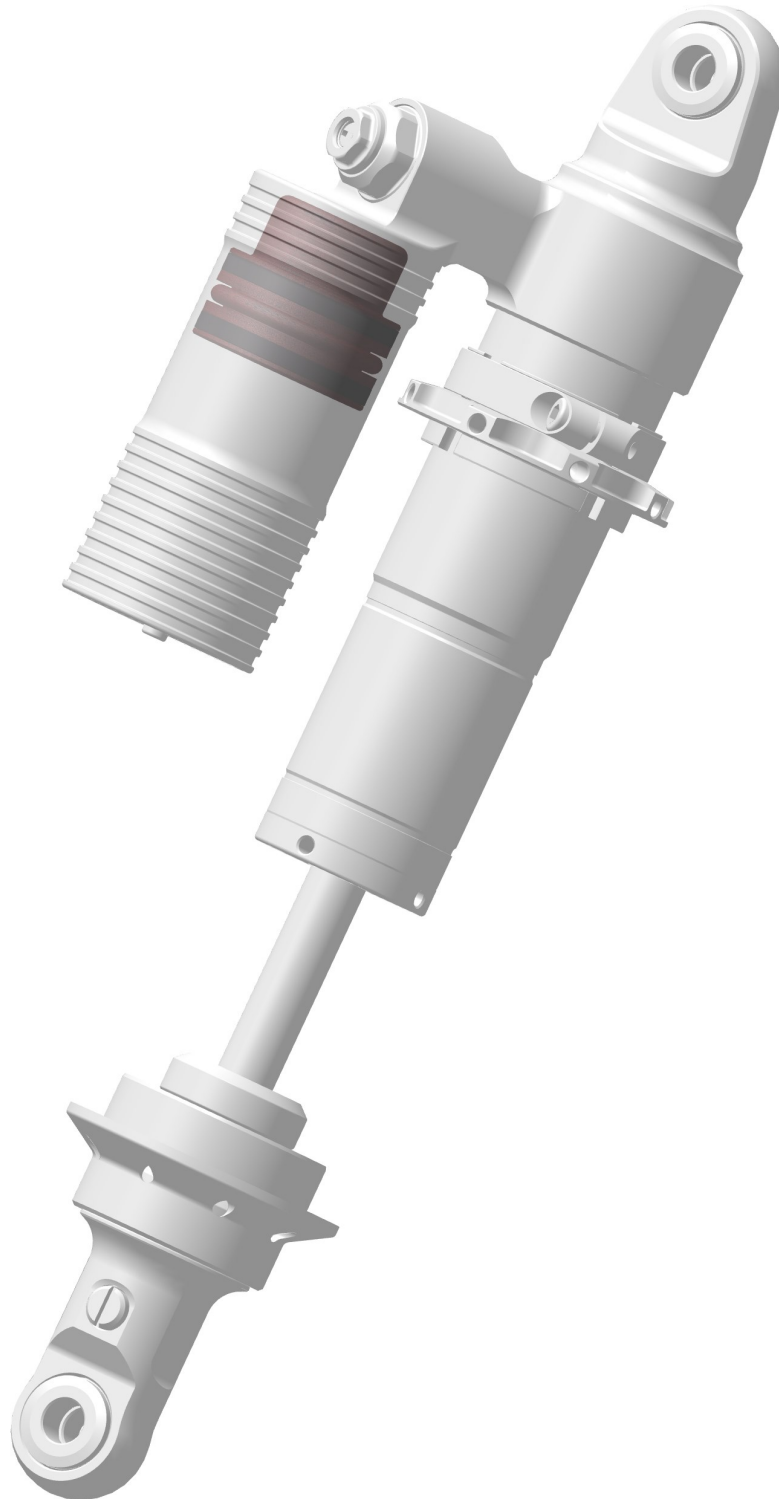
**SE N°3 : 013-SE-003\_ROTULE GEI5 ASK**



**NOMENCLATURE**

| REP | NAME              | REF        | IND | QTY |
|-----|-------------------|------------|-----|-----|
| 1   | CLIP TYPE 848-D26 | CTB26B     | -   | 2   |
| 2   | ROTULE GE15-500   | GE15UK-ASK | -   | 1   |

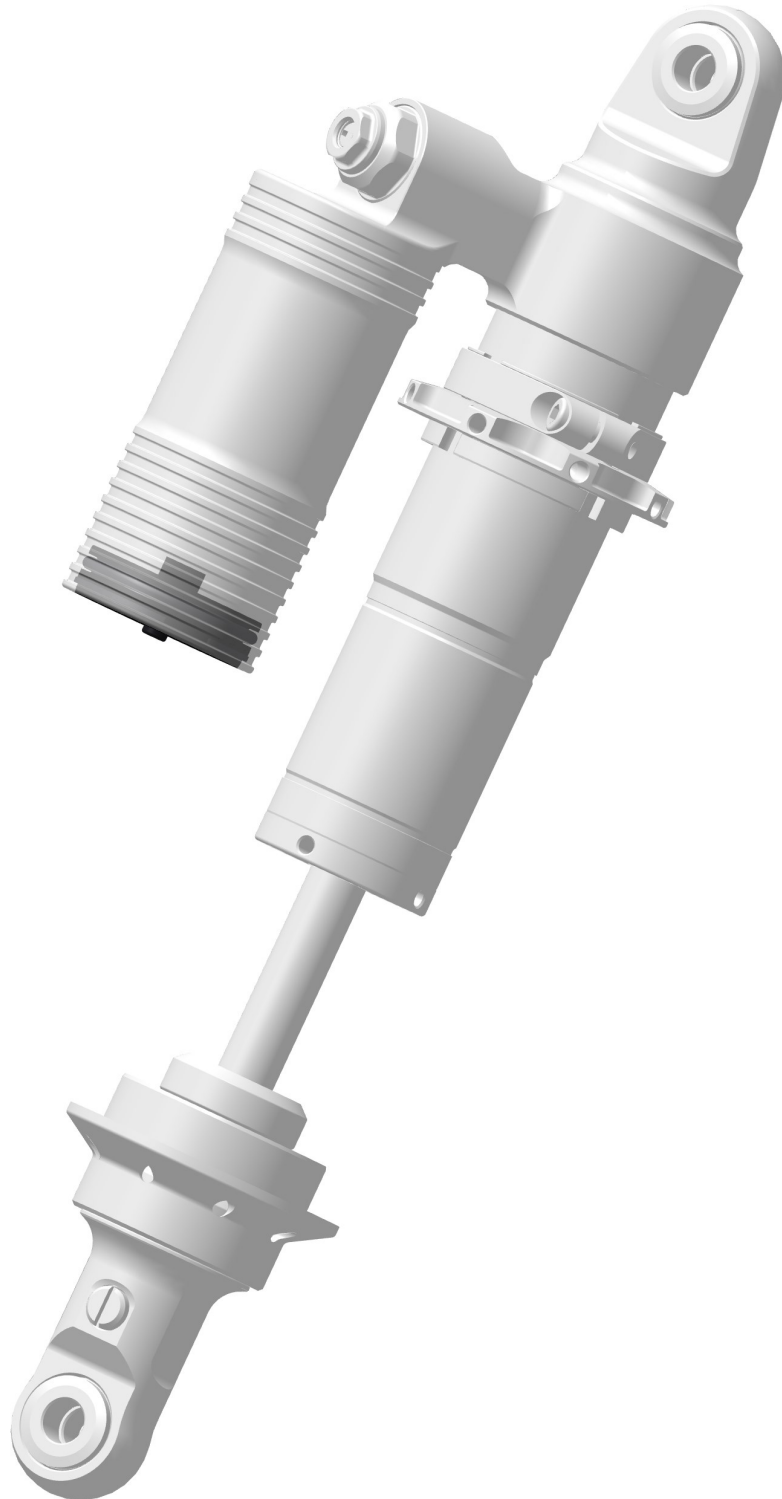
**SE N°4 : 004-SE-007\_PISTON DIVISEUR HT D50**



**NOMENCLATURE**

| REP | NAME                              | REF          | IND | QTY |
|-----|-----------------------------------|--------------|-----|-----|
| 1   | PISTON DIVEUR D50                 | 42312-D-042  | -   | 1   |
| 2   | BANDE GUIDAGE PISTON DIVISEUR D50 | 42312-D-043  | -   | 2   |
| 3   | JOINT TORIQUE                     | JT400012B5   | -   | 1   |
| 4   | BAGUE ANTI EXTRUSION              | BAE50041215E | -   | 2   |

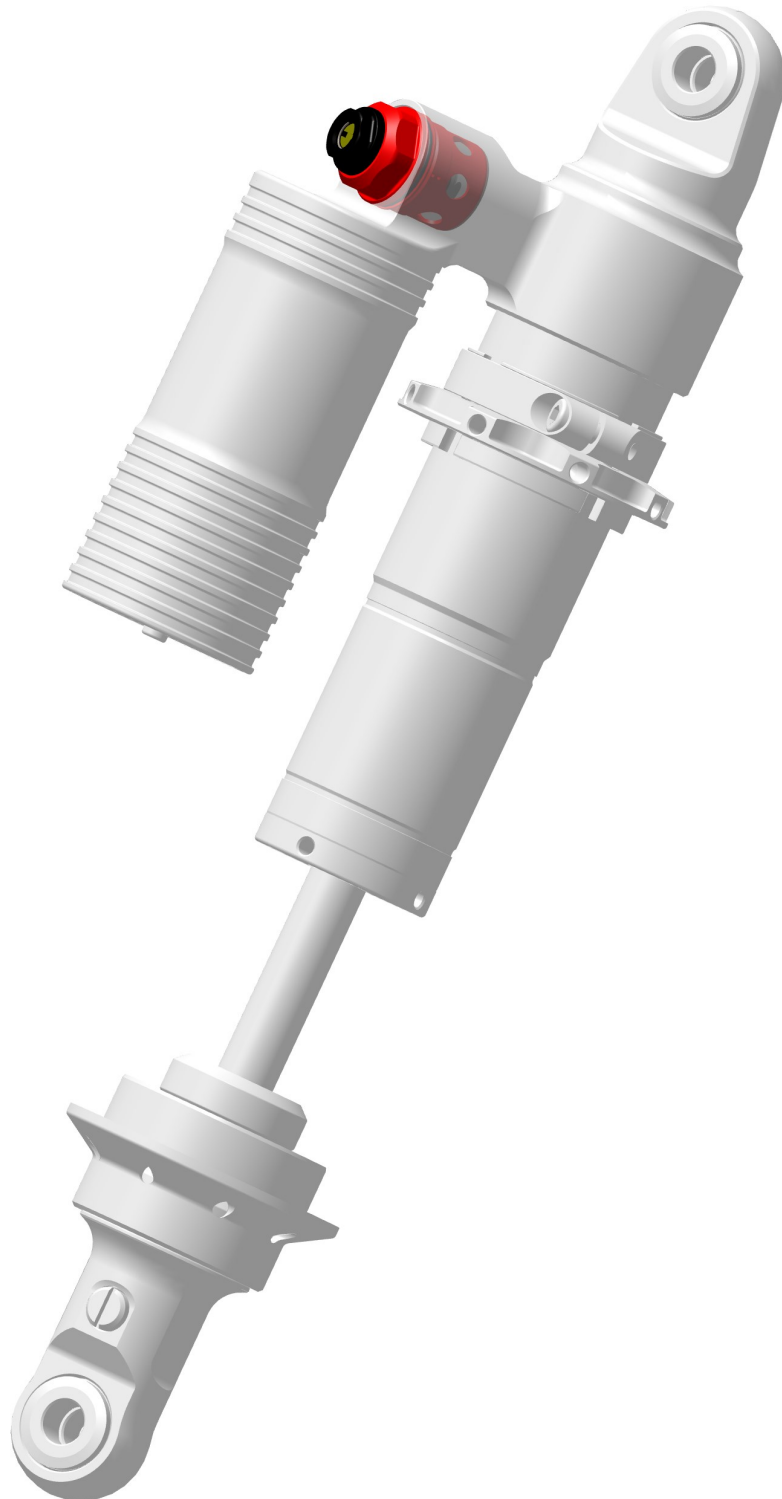
**SE N°5 : 005-SE-004\_BOUCHON PLAT D50**



**NOMENCLATURE**

| REP | NAME                        | REF         | IND | QTY |
|-----|-----------------------------|-------------|-----|-----|
| 1   | BOUCHON PLAT D50            | 42312-D-040 | A   | 1   |
| 2   | JONC BOMBONNE D50           | 92310-D-124 |     | 1   |
| 3   | VIS CHC M4X6                | VVCHC0406A0 | -   | 1   |
| 4   | VALVE BOMBONNE              | 130402052   | -   | 1   |
| 5   | JOINT TORIQUE 44.04X3.53 VI | JT440409B5  | -   | 1   |
| 6   | JOINT TORIQUE 3X1.5 NBR 70  | JT030002A3  | -   | 1   |

**SE N°6 : 002-SE-018\_BLOC COMPRESSION 3MM ACIER 10°**

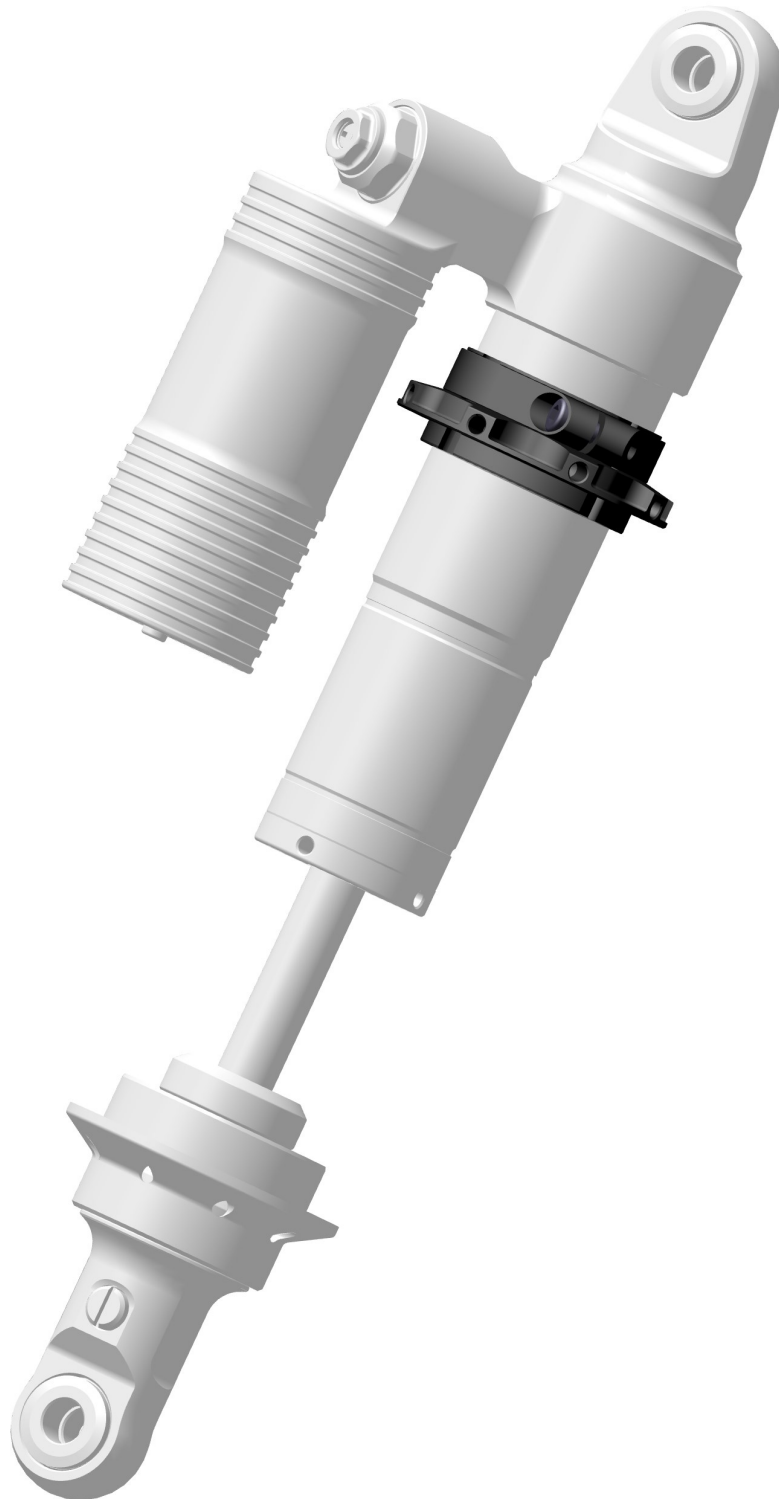




**NOMENCLATURE**

| REP | NAME                              | TYPE | REF           | IND | QTY |
|-----|-----------------------------------|------|---------------|-----|-----|
| 1   | BOUCHON COAX ROUGE                | PART | 42312-D-034   | -   | 1   |
| 2   | ECROU COAX NOIR                   | PART | 42312-D-044   | -   | 1   |
| 3   | SIEGE HV 3MM ACIER                | PART | 150807-D-061  | B   | 1   |
| 4   | SOUPAPE ALU BLOC                  | PART | 150807-D-060  | -   | 1   |
| 5   | POINTEAU BV 5°                    | PART | 91707D062/010 | -   | 1   |
| 6   | RESSORT HV K=4                    | PART | 91707-D-004   | A   | 1   |
| 7   | CLAPET D8X18X0.30                 | PART | CLAPD0818030  | -   | 1   |
| 8   | RESSORT REAL BLOC EVO             | PART | 92209-D-007   | -   | 1   |
| 9   | JONC                              | PART | 91707-D-026   | -   | 1   |
| 10  | JONC 9X0.6                        | PART | 91707-D-016   | A   | 1   |
| 11  | CLIP TYPE 471 ARBRE D8 ACIER      | PART | CAA08B        | -   | 1   |
| 12  | JOINT TORIQUE 20X1.5              | PART | JT200002A3    | -   | 1   |
| 13  | JOINT TORIQUE 3X1.5 NBR 70        | PART | JT030002A3    | -   | 1   |
| 14  | JOINT TORIQUE 24X1.5              | PART | JT240002A3    | -   | 1   |
| 15  | JOINT TORIQUE 18X1.8              | PART | JT180018A3    | -   | 1   |
| 16  | JOINT TORIQUE 5X1.5               | PART | JT050002A3    | -   | 1   |
| 17  | RESSORT INDEXATION L4 K1.46 ACIER | PART | RA4025045B    | -   | 2   |
| 18  | BILLE D2.5                        | PART | B25A          | -   | 4   |

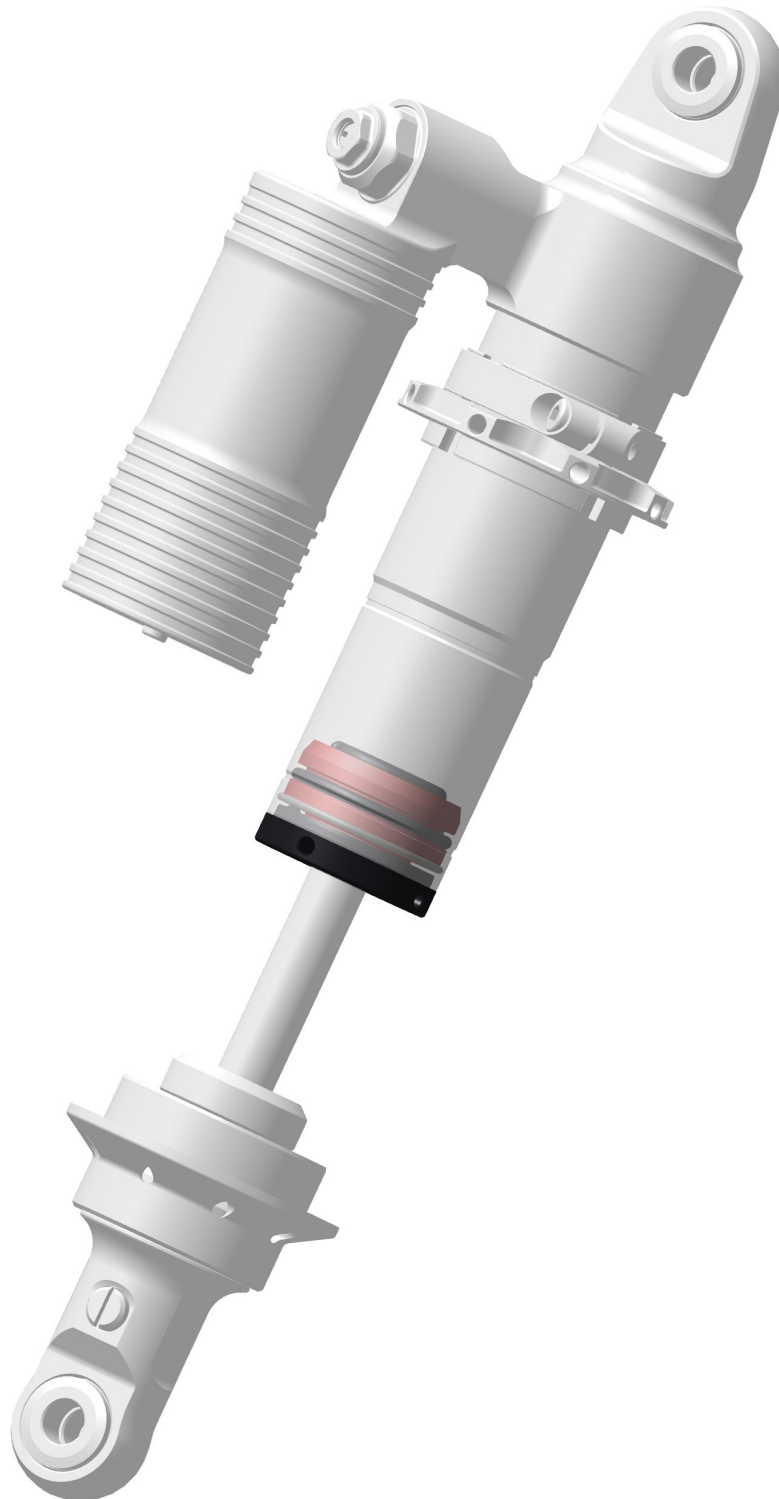
**SE N°7 : 009-SE-005\_ECROU PRECHARGE M52**



**NOMENCLATURE**

| REP | NAME                        | REF          | IND | QTY |
|-----|-----------------------------|--------------|-----|-----|
| 1   | ECROU PRECHARGE M52-60 NOIR | 042312-D-020 | -   | 1   |
| 2   | COLLIER ECROU PRECHARGE M52 | 091707-D-075 | -   | 1   |
| 3   | VIS CHC M6X16               | VVCHC0616A0  | -   | 1   |

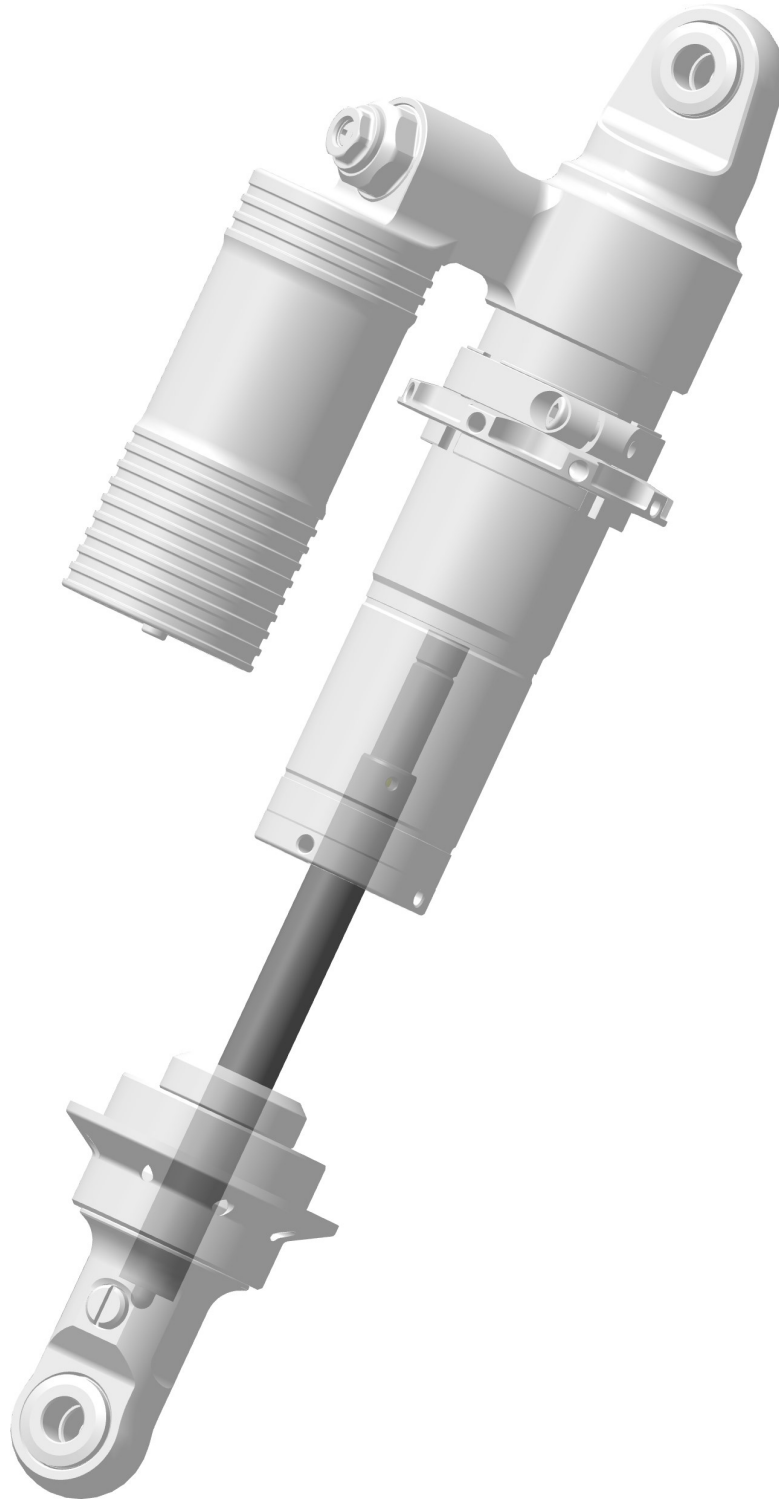
**SE N°8 : 016-SE-031\_GUIDETIGE 46X16 HT**



**NOMENCLATURE**

| REP | NAME                        | TYPE | REF            | IND | QTY |
|-----|-----------------------------|------|----------------|-----|-----|
| 1   | GUIDE TIGE 46X16            | PART | 43818-D-007    | B   | 1   |
| 2   | TAMPON BUTEE DETENTE BOS    | PART | 91707-D-031    | E   | 1   |
| 3   | PAP 1610 P10                | PART | GT01A16B       | -   | 1   |
| 4   | JOINT ETANCHEITE            | PART | JE01B160B5     | -   | 1   |
| 5   | JOINT RACLEUR               | PART | JR09L160N      | -   | 1   |
| 6   | JOINT TORIQUE 39.69X3.53 VI | PART | JT396909B5     | -   | 1   |
| 7   | JONC GUIDE TIGE D46         | PART | 170203063      | -   | 1   |
| 8   | COUVERCLE                   | PART | 43818-D-008    | -   | 1   |
| 9   | VIS STHC M5X6 CUVETTE       | PART | VVSTHC0508COCR | -   | 1   |

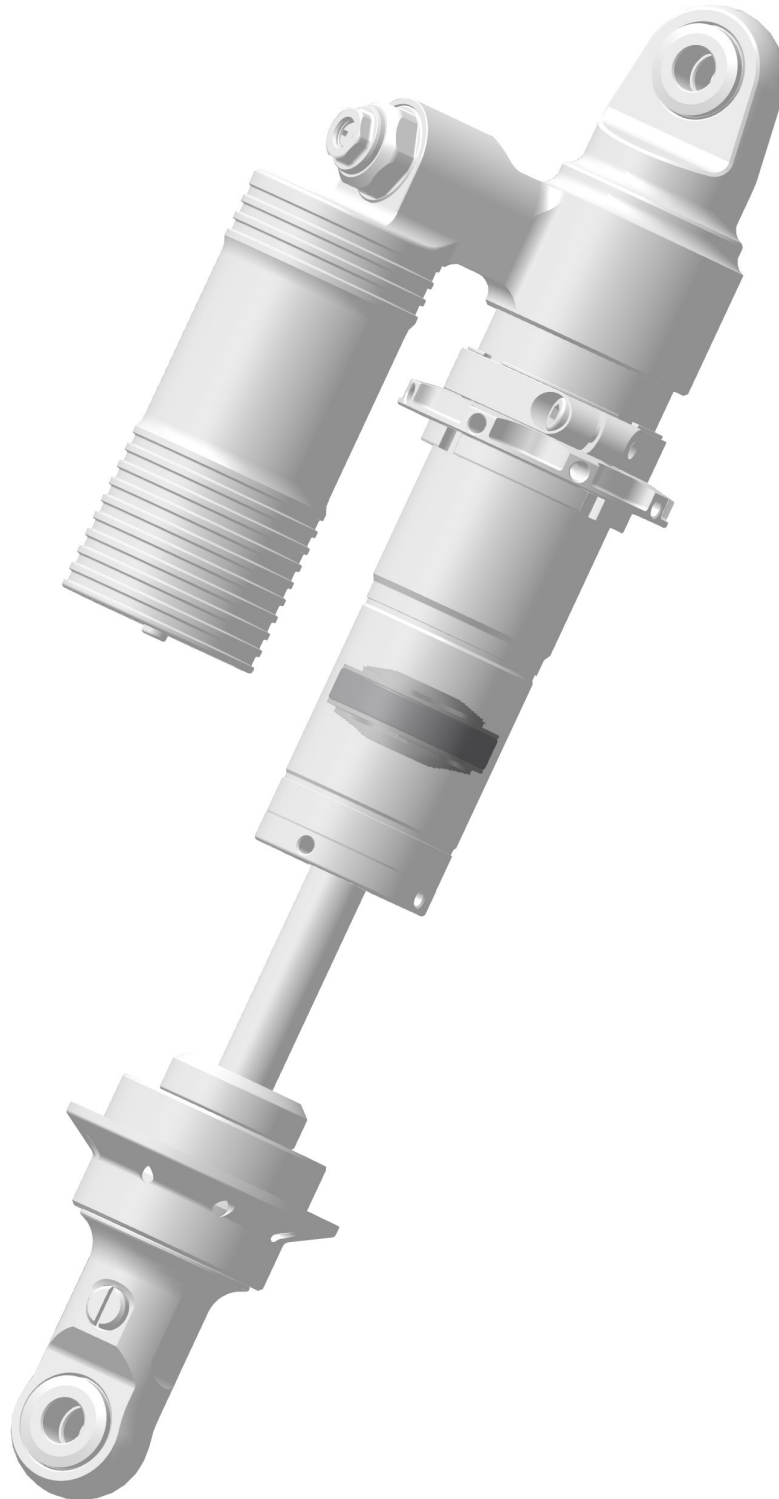
**SE N°9 : 015SE018\_191\_135\_TIGE-D16**



**NOMENCLATURE**

| REP | NAME                             | TYPE | REF           | IND | QTY |
|-----|----------------------------------|------|---------------|-----|-----|
| 1   | TIGE D16                         | PART | 91807D103/191 | -   | 1   |
| 2   | SIEGE DETENTE 3.5                | PART | 91205-D-052   | -   | 1   |
| 3   | POINTEAU DETENTE LINEAIRE        | PART | 91205-D-256   | A   | 1   |
| 4   | TRANSMISSION ALU COLLÉE/TARAUDÉE | PART | 91807D201/135 | -   | 1   |
| 5   | APPUI TRANS ALU                  | PART | 91205-D-002   | C   | 1   |
| 6   | JOINT TORIQUE 3.5X1.5            | PART | JT035002A3    | -   | 1   |

**SE N°10 : 020-SE-011\_PISTON LINEAIRE 46X12 HT**

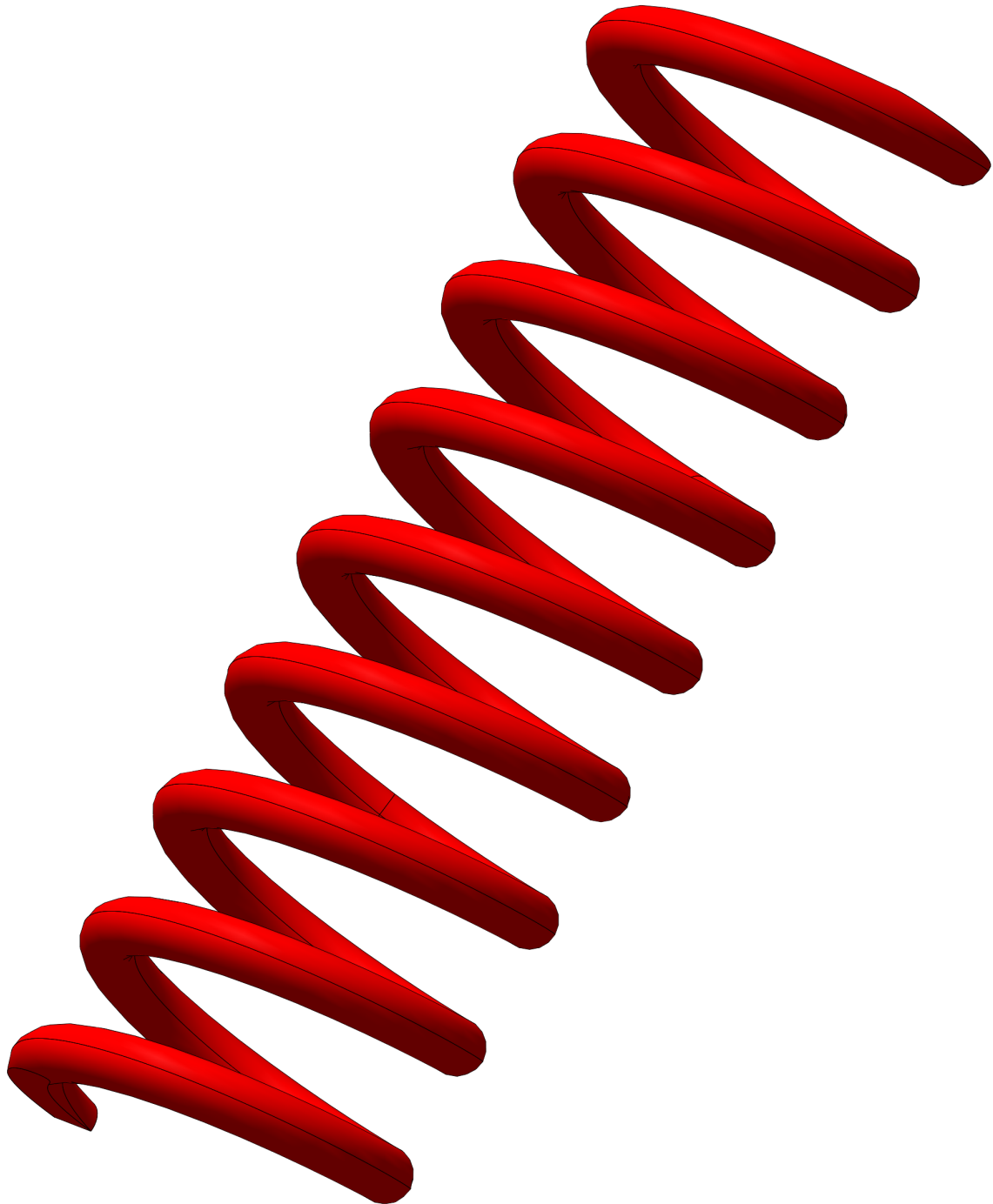




**NOMENCLATURE**

| REP | NAME                    | REF        | IND | QTY |
|-----|-------------------------|------------|-----|-----|
| 1   | PISTON LINEAIRE 46X12   | 130402040  | G   | 1   |
| 2   | JOINT TORIQUE 38X2 VI   | JT380004B5 | -   | 1   |
| 3   | BANDE GUIDAGE PISTON 46 | 130402069  | C   | 1   |
| 4   | ENSEMBLE CLAPETS COMP   | -          | -   | 1   |
| 5   | ENSEMBLE CLAPETS DET    | -          | -   | 1   |

**RESSORTS**



**NOMENCLATURE**

| DESIGNATION                | RAIDEUR | REF          | IND |
|----------------------------|---------|--------------|-----|
| RESSORT PRINCIPAL L210 D60 | 36      | RP-210-60/36 | -   |
| RESSORT PRINCIPAL L210 D60 | 38      | RP-210-60/38 | -   |
| RESSORT PRINCIPAL L210 D60 | 40      | RP-210-60/40 | -   |
| RESSORT PRINCIPAL L210 D60 | 42      | RP-210-60/42 | -   |
| RESSORT PRINCIPAL L210 D60 | 44      | RP-210-60/44 | -   |

**\* Pour tout renseignement complémentaire concernant le choix de votre ressort, merci de contacter directement nos services.**

**NOTES**

Lined area for notes, consisting of multiple horizontal lines within a rectangular border.

**NOTES**

Lined area for notes, consisting of a large rectangular box with horizontal ruling lines.

**NOTES**

Lined area for notes, consisting of a large rectangular box with horizontal ruling lines.

**NOTES**

Lined area for notes, consisting of a large rectangular box with horizontal lines for writing.

**[www.bos-suspension.com](http://www.bos-suspension.com)**

---



**4, Impasse Léonce Couture – F31200 TOULOUSE**

**/ +33(0)5 34 25 33 66**

**[sales@bos-suspension.com](mailto:sales@bos-suspension.com)**