



**Pièces de Rechange**  
**Kit Cartouche CR88**  
**44020-E-001**



***BOS Suspension***

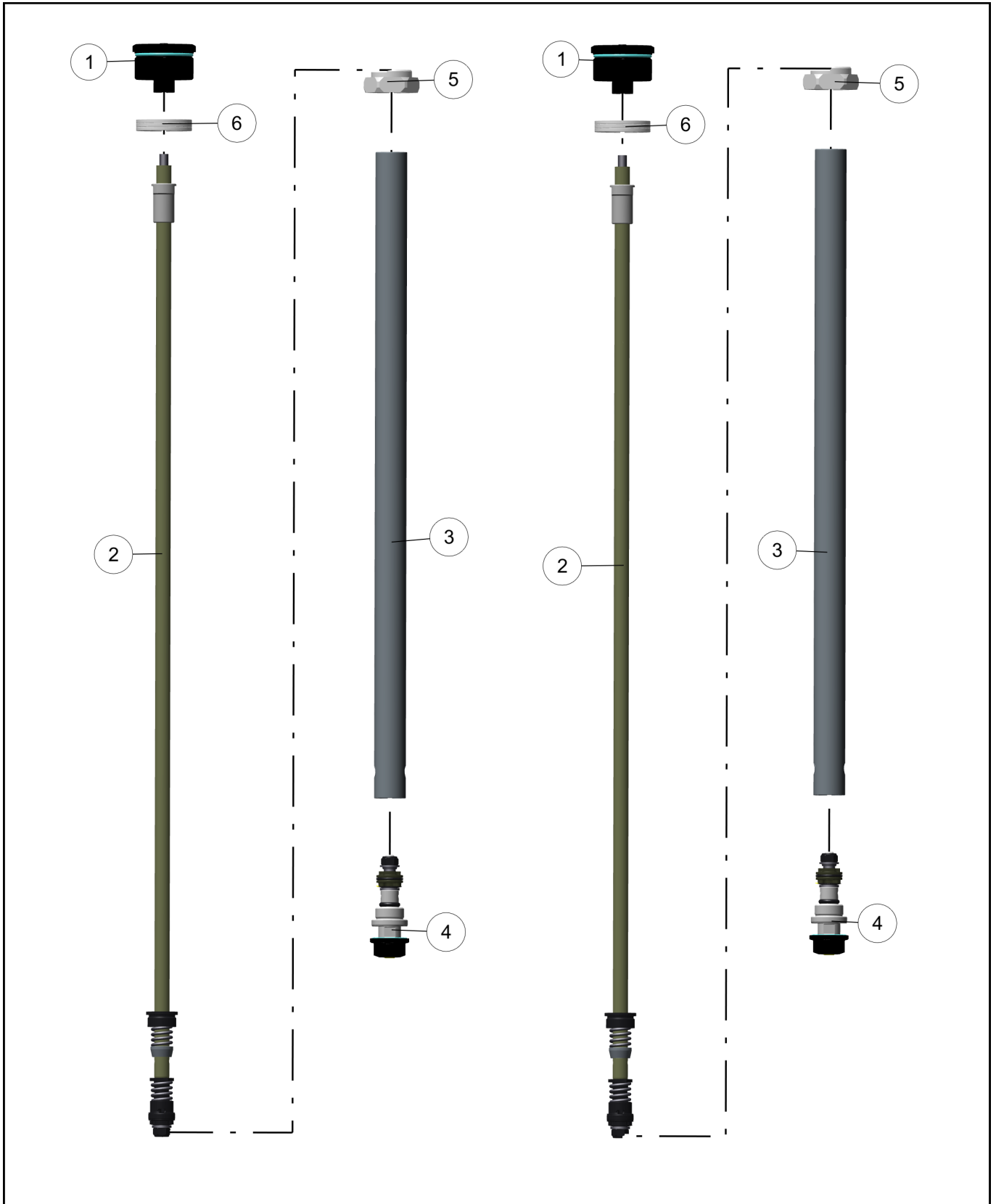
*4 Impasse Léonce Couture  
ZA du Mont Blanc  
31200 Toulouse - France*

*Mel : [sales@bos-suspension.com](mailto:sales@bos-suspension.com)*

*Tel : +33(0)5 34 25 33 66*



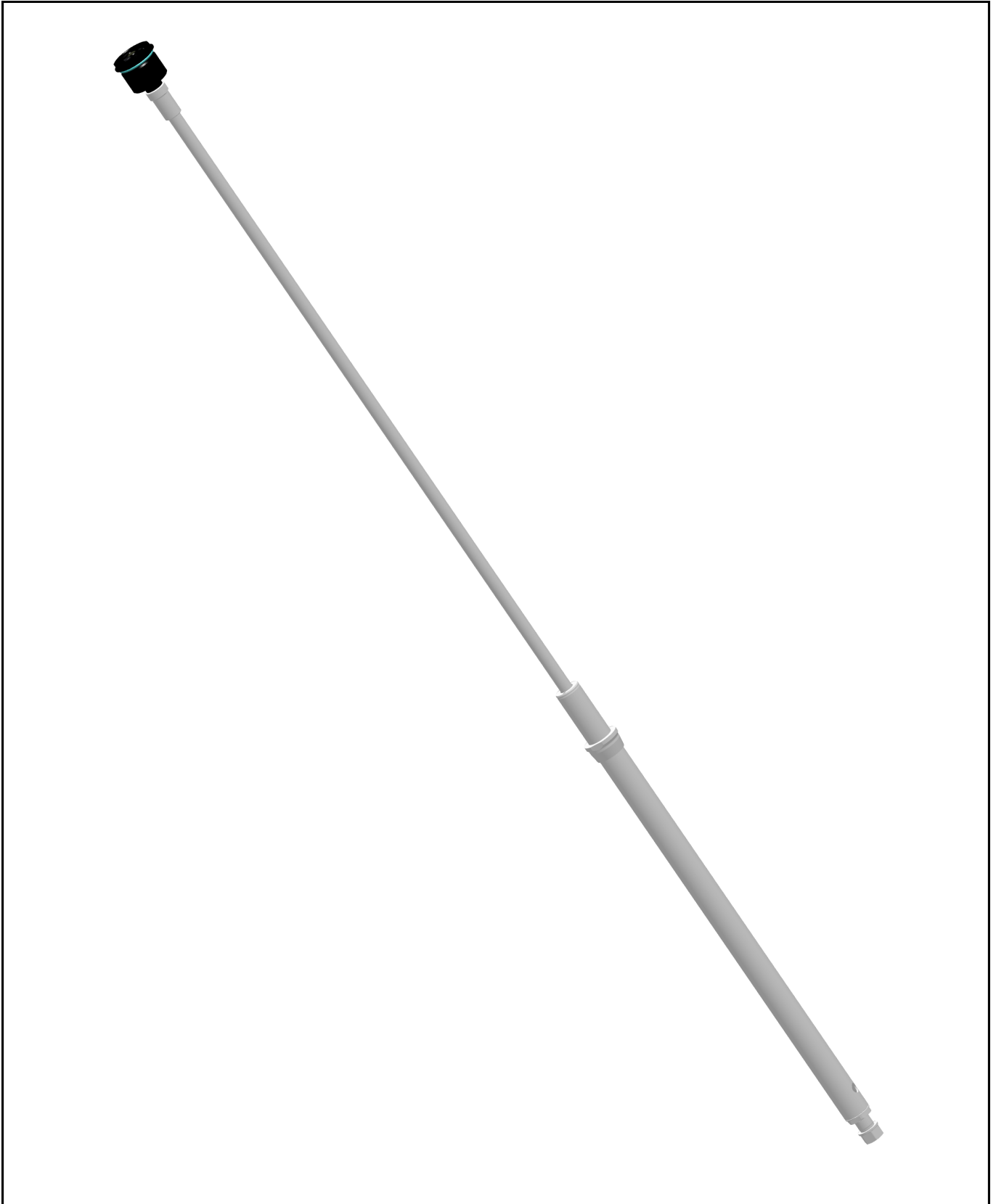
**ECLATÉ GÉNÉRAL**



**NOMENCLATURE**

| NAME           | REP | NAME                   | REF         | IND | QTY |
|----------------|-----|------------------------|-------------|-----|-----|
| CARTOUCHE CR88 |     |                        | 029-SE-017  |     | 2   |
|                | 1   | BOUCHON SUP CR88       | 032-SE-012  | -   | 1   |
|                | 2   | TIGE H CR88            | 015-SE-055  | -   | 1   |
|                | 3   | TUBE CARTOUCHE         | 44020-D-003 | -   | 1   |
|                | 4   | BLOC COMP CR88         | 002-SE-030  | -   | 1   |
|                | 5   | GUIDE RESSORT INF CR88 | 44020-D-007 | -   | 1   |
|                | 6   | CALE COMP 5MM          | 44020-D-008 | -   | 3   |

**SE N°1 : 032-SE-012\_BOUCHON-SUP-CR88**



**NOMENCLATURE**

| REP | NAME                    | TYPE | REF          | IND | QTY |
|-----|-------------------------|------|--------------|-----|-----|
| 1   | BOUCHON H               | PART | 44020-D-001  | -   | 1   |
| 2   | VIS DETENTE             | PART | 150707-D-021 | B   | 1   |
| 3   | JOINT TORIQUE 4.47X1.78 | PART | JT044703A3   | -   | 1   |
| 4   | VIS CHC M3X6 INOX       | PART | VVCHC0306A0  | -   | 1   |
| 5   | JOINT TORIQUE 3X1.2     | PART | JT030019A3   | -   | 1   |
| 6   | BILLE D2.5              | PART | B25A         | -   | 2   |
| 7   | JOINT TORIQUE 8X3 VI    | PART | JT080007B5   | -   | 1   |
| 8   | JOINT TORIQUE 35X2      | PART | JT350004A3   | -   | 1   |

**SE N°2 : 015-SE-055\_TIGE-H-CR88**



**NOMENCLATURE**

| REP | NAME                             | TYPE | REF              | IND | QTY |
|-----|----------------------------------|------|------------------|-----|-----|
| 1   | BOUCHON CARTOUCHE                | PART | 151108-D-012     | -   | 1   |
| 2   | BAGUE PAP-1008-P10 OU P14        | PART | GT01A10A         | -   | 1   |
| 3   | RESSORT HV K=6                   | PART | 91707-D-005      | A   | 1   |
| 4   | APPUI RESSORT DET                | PART | 44020-D-011      | -   | 1   |
| 5   | TIGE CR88                        | PART | 44020-D-002      | -   | 1   |
| 6   | PORTE PISTON CONE-VALVE          | PART | 150707-D-175     | A   | 1   |
| 7   | ECROU TIGE M10X0.75              | PART | 43618-D-100      | -   | 1   |
| 8   | POINTEAU DET                     | PART | 151108-D-082     | -   | 1   |
| 9   | TRANSMISSION DETENTE ALU 588.5MM | PART | 150013D201/588.5 |     | 1   |
| 10  | JOINT TORIQUE 4X1.5              | PART | JT040002A3       | -   | 1   |
| 11  | PISTON D18 CONE VALVE            | PART | 150707-D-173     | -   | 1   |
| 12  | SETTING                          | PART | -                | .   | 1   |
| 13  | TOP PLATE 13X1.5                 | PART | 230104-D-040     | B   | 1   |
| 14  | ECROU NYLSTOP M6                 | PART | VEN06A0          | -   | 1   |
| 15  | GUIDAGE PISTON DET 18            | PART | 150707-D-041     | -   | 1   |
| 16  | RESSORT                          | PART | RA1256670A       | -   | 1   |
| 17  | VALVE CONIQUE 7 °                | PART | 150707D174/1     | -   | 1   |
| 18  | RESSORT HV K=4                   | PART | 91707-D-004      | A   | 1   |
| 19  | JONC                             | PART | 091305-D-010     | A   | 1   |
| 20  | JOINT TORIQUE 10X1.5             | PART | JT100002A3       | -   | 1   |

**SE N°3 : 002-SE-030\_BLOC-COMP-CR88**





**NOMENCLATURE**

| REP | NAME                         | TYPE | REF          | IND | QTY |
|-----|------------------------------|------|--------------|-----|-----|
| 1   | CORPS COMP                   | PART | 44020-D-004  | -   | 1   |
| 2   | POINTO COMP                  | PART | 150707-D-071 | A   | 1   |
| 3   | BILLE D2.5                   | PART | B25A         | -   | 2   |
| 4   | JOINT TORIQUE 8X3 VI         | PART | JT080007B5   | -   | 1   |
| 5   | JOINT TORIQUE 5X1.5 NBR 70   | PART | JT050002A3   | -   | 1   |
| 6   | TOP PLATE 13X1.5             | PART | 230104-D-040 | B   | 1   |
| 7   | SETTING                      | PART | -            | .   | 1   |
| 8   | PISTON COMPRESSION 18 FRITTÉ | PART | 151613-D-042 | -   | 1   |
| 9   | GUIDE CLAPET REAL            | PART | 150707-D-023 | A   | 1   |
| 10  | JOINT TORIQUE 15X1.5         | PART | JT150002A3   | -   | 1   |
| 11  | ECROU CARTOUCHE              | PART | 44020-D-005  | -   | 1   |
| 12  | ECROU NYLSTOP M6             | PART | VEN06A0      | -   | 1   |
| 13  | JOINT TORIQUE 20X2           | PART | JT200004A3   | -   | 1   |
| 14  | JOINT TORIQUE 13X1.5         | PART | JT130002A3   | -   | 1   |
| 15  | RESSORT REAL EVO             | PART | 151613-D-039 | -   | 1   |



**NOTES**

Lined area for notes, consisting of a large rectangular box with horizontal ruling lines.

**[www.bos-suspension.com](http://www.bos-suspension.com)**

---



**4, Impasse Léonce Couture – F31200 TOULOUSE**

**/ +33(0)5 34 25 33 66**

**[sales@bos-suspension.com](mailto:sales@bos-suspension.com)**