

Amortisseur KTM/HVA 65
43818-E-004



Pièces de rechange

BOS Suspension

*4 Impasse Léonce Couture
ZA du Mont Blanc
31200 Toulouse - France*

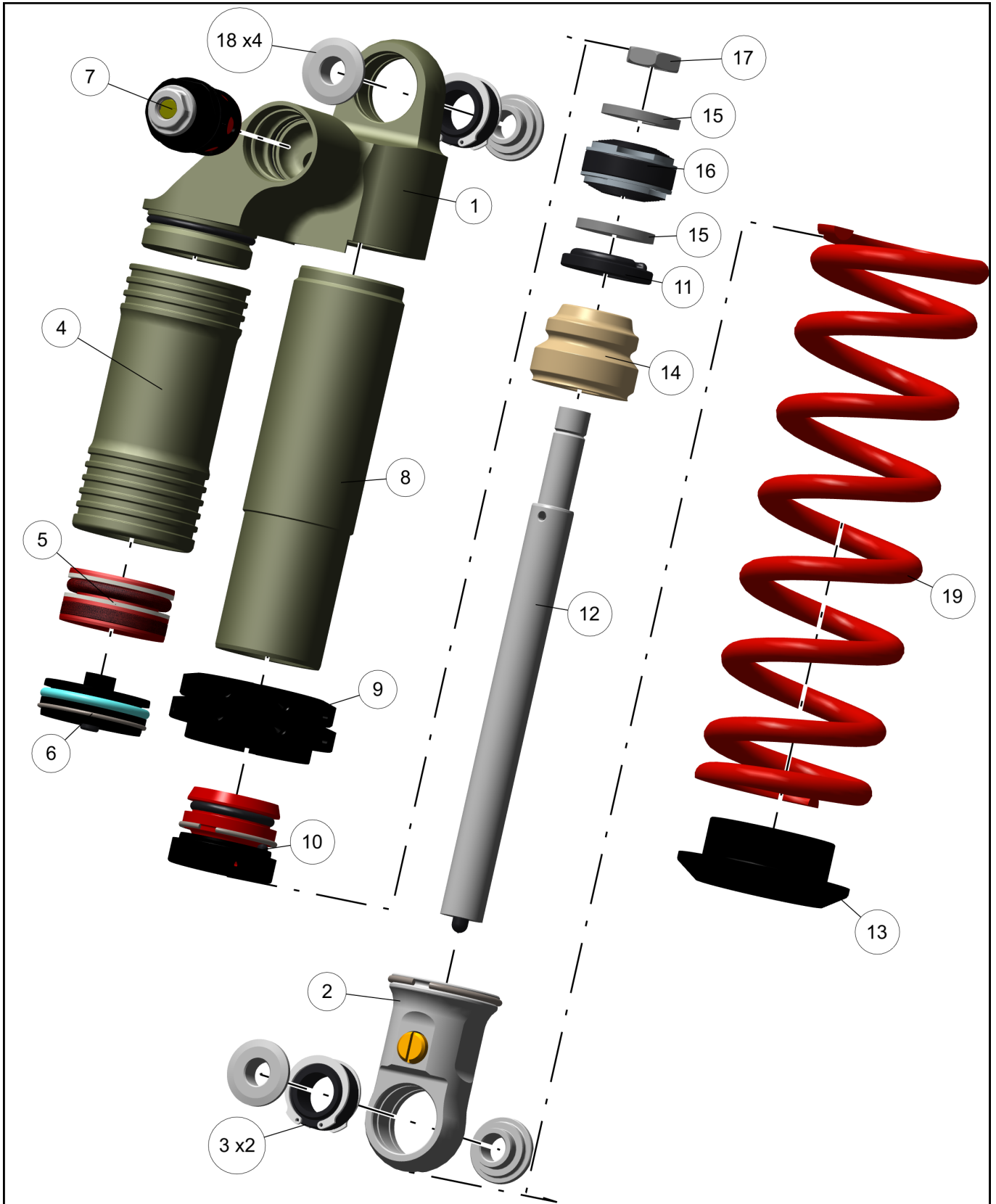
Mel : sales@bos-suspension.com

Tel : +33(0)5 34 25 33 66



PR_AMORTISSEUR-KTM-65

ECLATÉ DU PRODUIT



NOMENCLATURE

REP	NAME	TYPE	REF	IND	QTY
1	TETE KTM 65	ASSEMBLY	001-SE-041	-	1
2	PIED AMORTISSEUR KTM 65	ASSEMBLY	011-SE-027	-	1
3	ROTULE GE15 ASK	ASSEMBLY	013-SE-003	-	2
4	BOMBONNE 40	PART	91807D707/100A	-	1
5	PISTON DIV HT D40	ASSEMBLY	004-SE-002	-	1
6	BOUCHON GONFLAGE D40	ASSEMBLY	005-SE-007	-	1
7	BLOC COMPRESSION 3MM ACIER 10°	ASSEMBLY	002-SE-018	-	1
8	CYLINDRE FILETEE M42X150	PART	91807D323/145	-	1
9	ECROU COLIER M42 D47	ASSEMBLY	009-SE-014	-	1
10	GUIDE TIGE D35X16 HT	ASSEMBLY	016-SE-033	-	1
11	BUTEE DET 35X16	ASSEMBLY	017-SE-015	-	1
12	TIGE D16	ASSEMBLY	015SE018/193/137	-	1
13	COUPELLE RESSORT 47	PART	43818-D-017	-	1
14	TAMPON VULCOLAN	PART	92209D066/30	-	1
15	TOP PLATE 29.5X3.5	PART	130819-D-037	-	2
16	PISTON LINEAIRE D35	ASSEMBLY	020-SE-015	-	1
17	ECROU BAS M12X125	PART	VEHM12G2	-	1
18	ENTRETOISE	PART	91807D514/005	-	4
19	RESSORT D47 L210	PART	RP-210-47-XX	-	1

*** Voir les différents ressorts proposés en page 27**

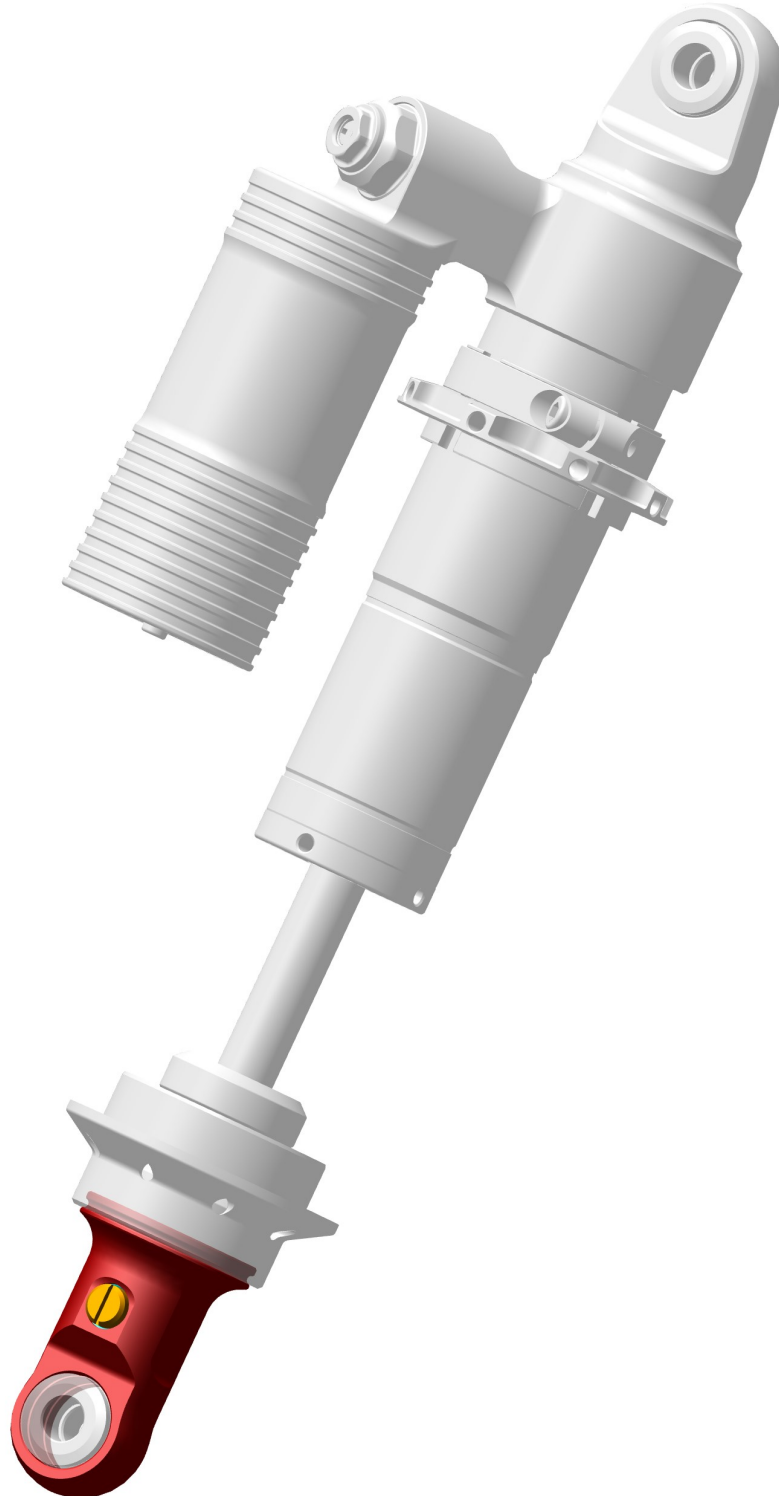
SE N°1 : 001-SE-041 TETE KTM 65



NOMENCLATURE

REP	NAME	REF	IND	QTY
1	TETE KTM 65 2020	43818-D-013	-	1
2	JOINT TORIQUE 38X2.5 VI	JT380005B5	-	1
3	JOINT TORIQUE 25X2 VI	JT250004B5	-	1
4	JOINT TORIQUE 36.17X2.62 VI	JT361706B5	-	1

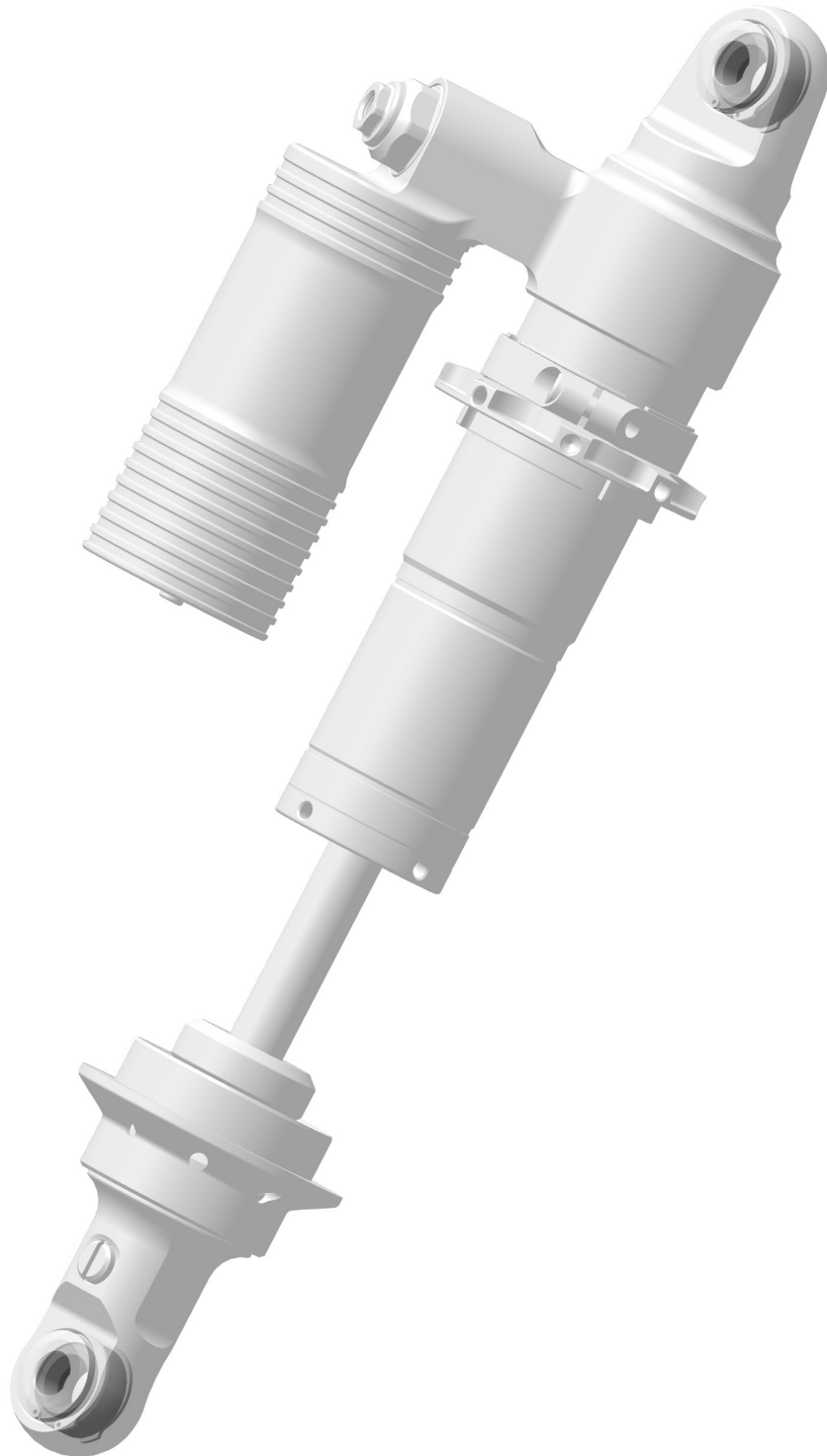
SE N°2 : 011-SE-027_PIED AMORTISSEUR KTM 65



NOMENCLATURE

REP	NAME	REF	IND	QTY
1	PIED AMORTISSEUR KTM 65	43818-D-015	-	1
2	VIS REGLAGE DETENTE	92209-D-002	A	1
3	JOINT TORIQUE 11X2	JT110004A3	-	1
4	BILLE DIAMETRE 3MM ACIER	B30A	-	2
5	RESSORT INDEXATION	RA8025045B	-	1
6	JONC GUIDE TIGE 40X2.5	43818-D-021	-	1

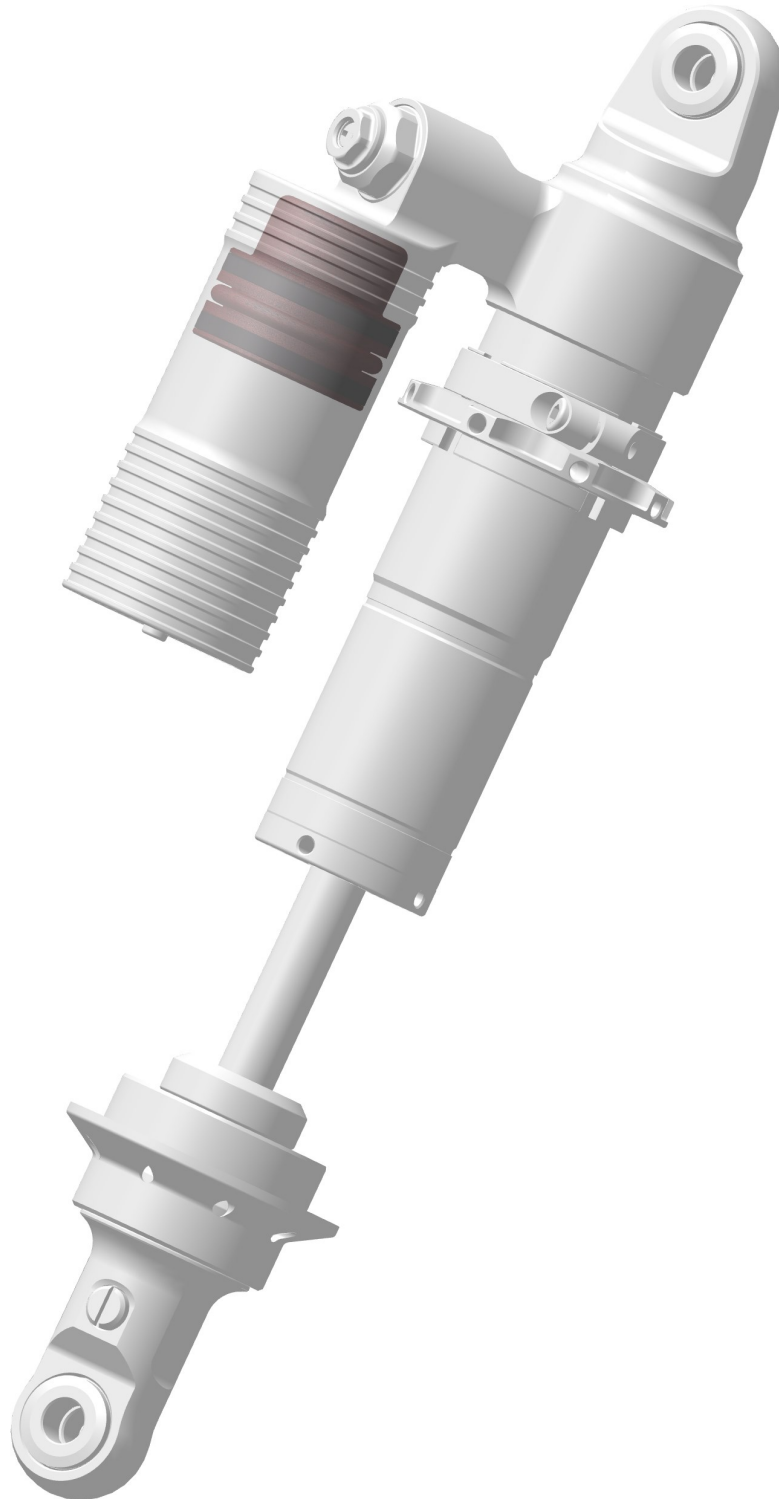
SE N°3 : 013-SE-003_ROTULE GEI5 ASK



NOMENCLATURE

REP	NAME	REF	IND	QTY
1	CLIP TYPE 848-D26	CTB26B	-	2
2	ROTULE GE15-500	GE15UK-ASK	-	1

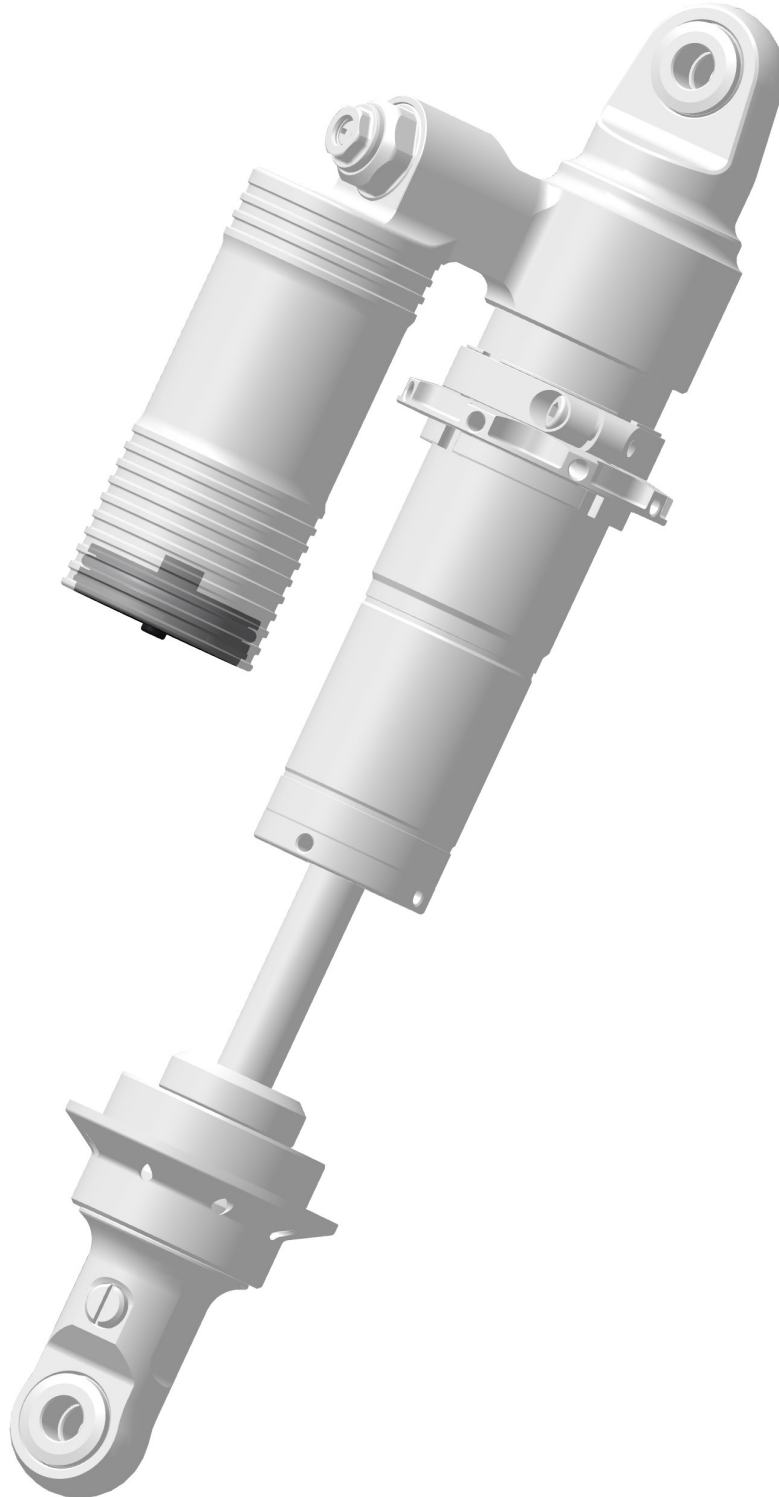
SE N°4 : 004-SE-002_PISTON DIVISEUR HT D40



NOMENCLATURE

REP	NAME	REF	IND	QTY
1	PISTON DIVISEUR D40	130819-D-029	-	1
2	BAGUE ANTI EXTRUSION	BAE40031115E	-	2
3	JOINT TORIQUE 30X5 VI	JT300012B5	-	1
4	GUIDAGE DIVISEUR D40	130819-D-018	-	1

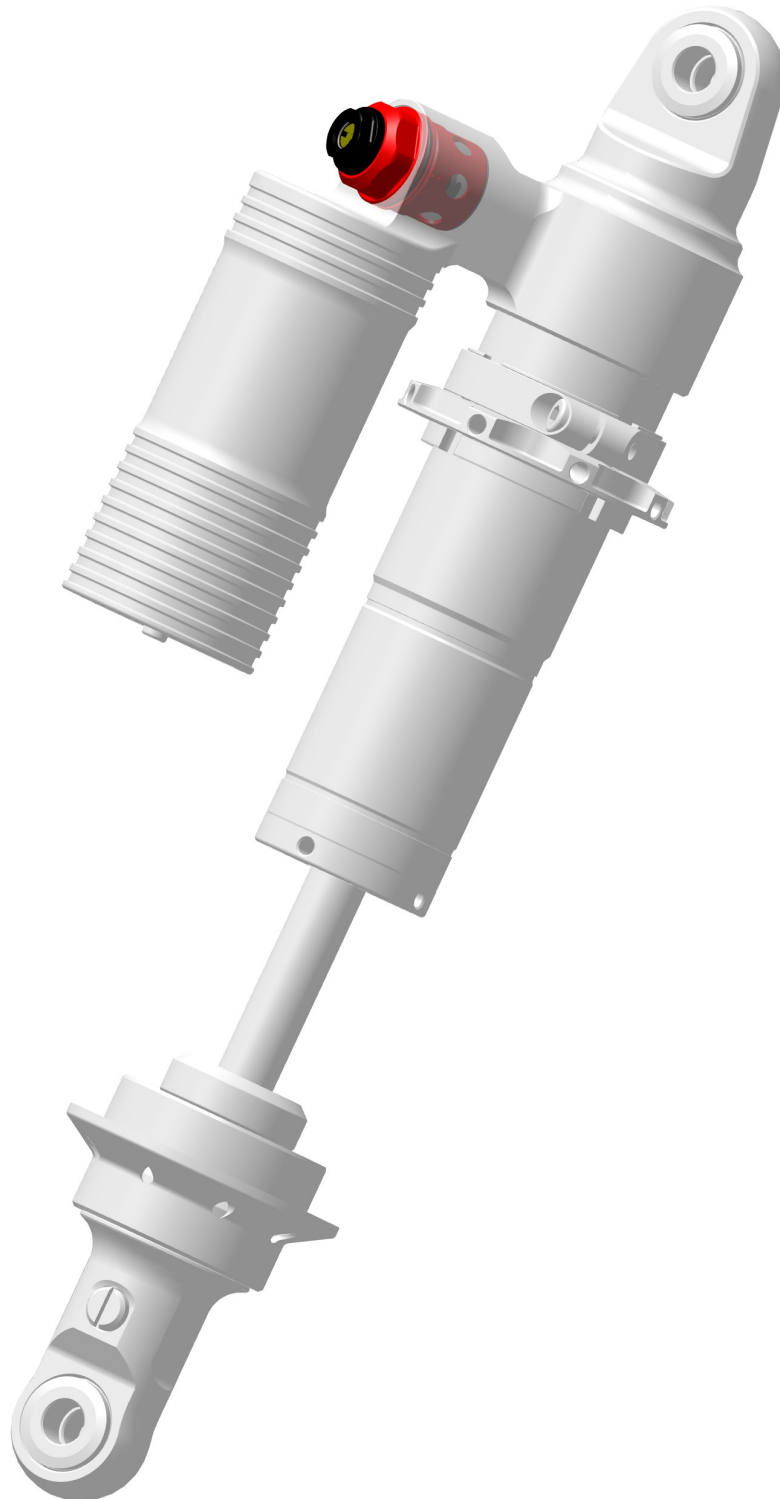
SE N°5 : 005-SE-007_BOUCHON PLAT 40



NOMENCLATURE

REP	NAME	REF	IND	QTY
1	BOUCHON GONFLAGE D40 NOIR	43818-D-016	-	1
2	JOINT TORIQUE 3X1.5 NBR 70	JT030002A3	-	1
3	VIS CHC M4X6	VVCHC0406A0	-	1
4	VALVE BOMBONNE	130402052	-	1
5	JONC CARRE BOMBONNE D40	43818-D-025	-	1
6	JOINT TORIQUE 34.52X3.53	JT345209A3	-	1

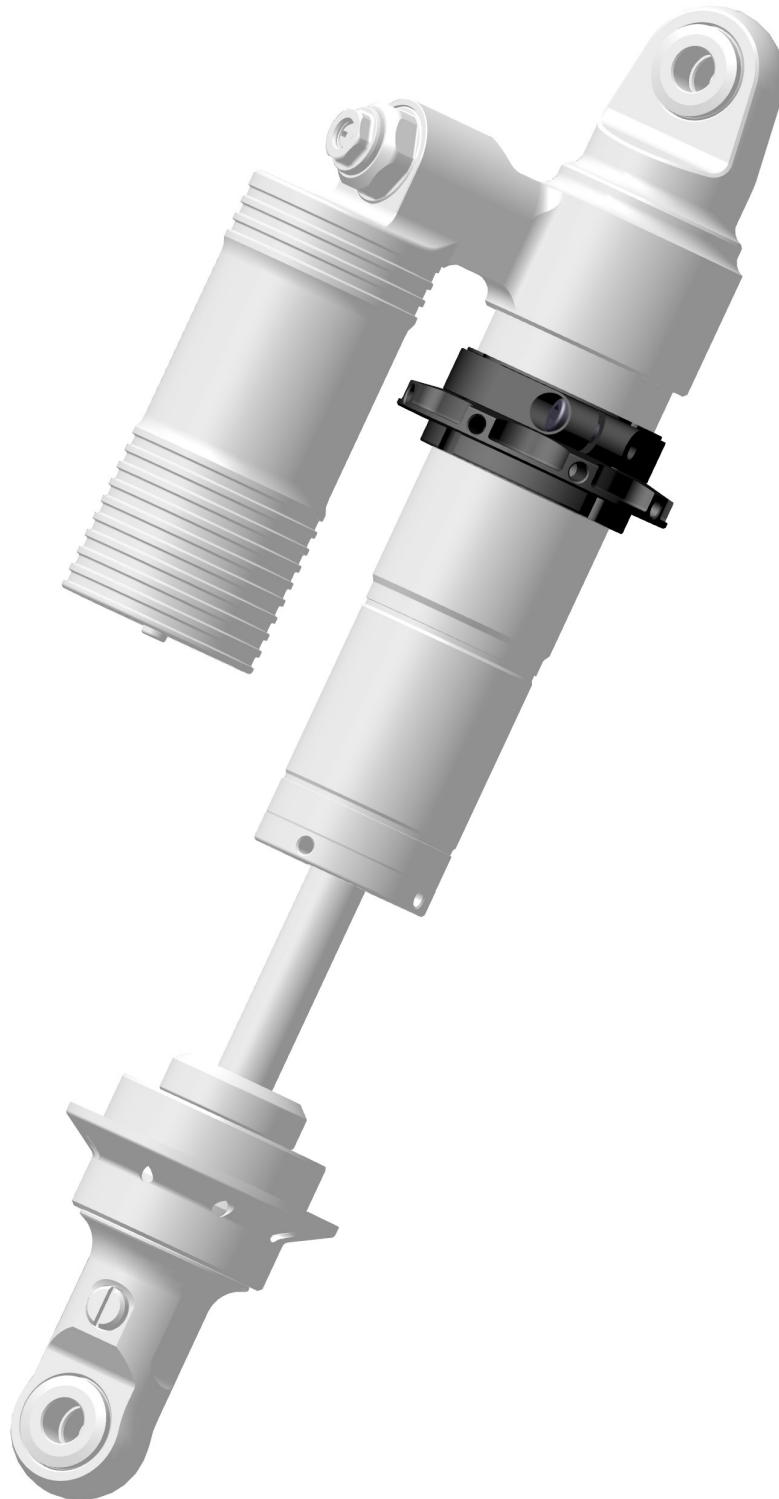
SE N°6 : 002-SE-018_BLOC COMPRESSION 3MM ACIER 10°



NOMENCLATURE

REP	NAME	TYPE	REF	IND	QTY
1	BOUCHON COAX ROUGE	PART	42312-D-034	-	1
2	ECROU COAX NOIR	PART	42312-D-044	-	1
3	SIEGE HV 3MM ACIER	PART	150807-D-061	B	1
4	SOUPAPE ALU BLOC	PART	150807-D-060	-	1
5	POINTEAU BV 5°	PART	91707D062/010	-	1
6	RESSORT HV K=4	PART	91707-D-004	A	1
7	CLAPET D8X18X0.30	PART	CLAPD0818030	-	1
8	RESSORT REAL BLOC EVO	PART	92209-D-007	-	1
9	JONC	PART	91707-D-026	-	1
10	JONC 9X0.6	PART	91707-D-016	A	1
11	CLIP TYPE 471 ARBRE D8 ACIER	PART	CAA08B	-	1
12	JOINT TORIQUE 20X1.5	PART	JT200002A3	-	1
13	JOINT TORIQUE 3X1.5 NBR 70	PART	JT030002A3	-	1
14	JOINT TORIQUE 24X1.5	PART	JT240002A3	-	1
15	JOINT TORIQUE 18X1.8	PART	JT180018A3	-	1
16	JOINT TORIQUE 5X1.5	PART	JT050002A3	-	1
17	RESSORT INDEXATION L4 K1.46 ACIER	PART	RA4025045B	-	2
18	BILLE D2.5	PART	B25A	-	4

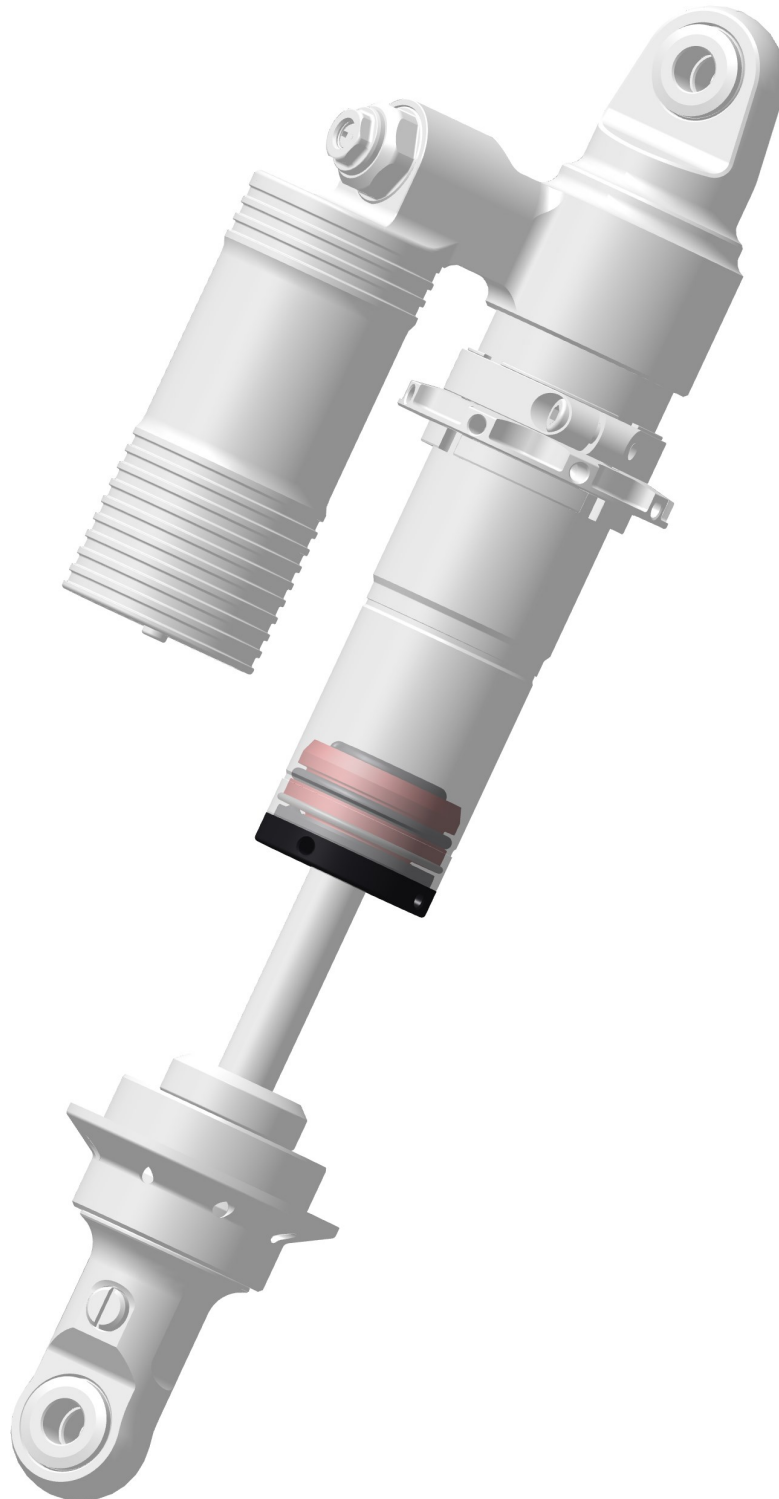
SE N°7 : 009-SE-014_ECROU PRECHARGE M42



NOMENCLATURE

REP	NAME	REF	IND	QTY
1	ECROU PRECHARGE M42-D47	43818-D-018	-	1
2	CONTRE ECROU PRECHARGE M42-D47	43818-D-019	-	1

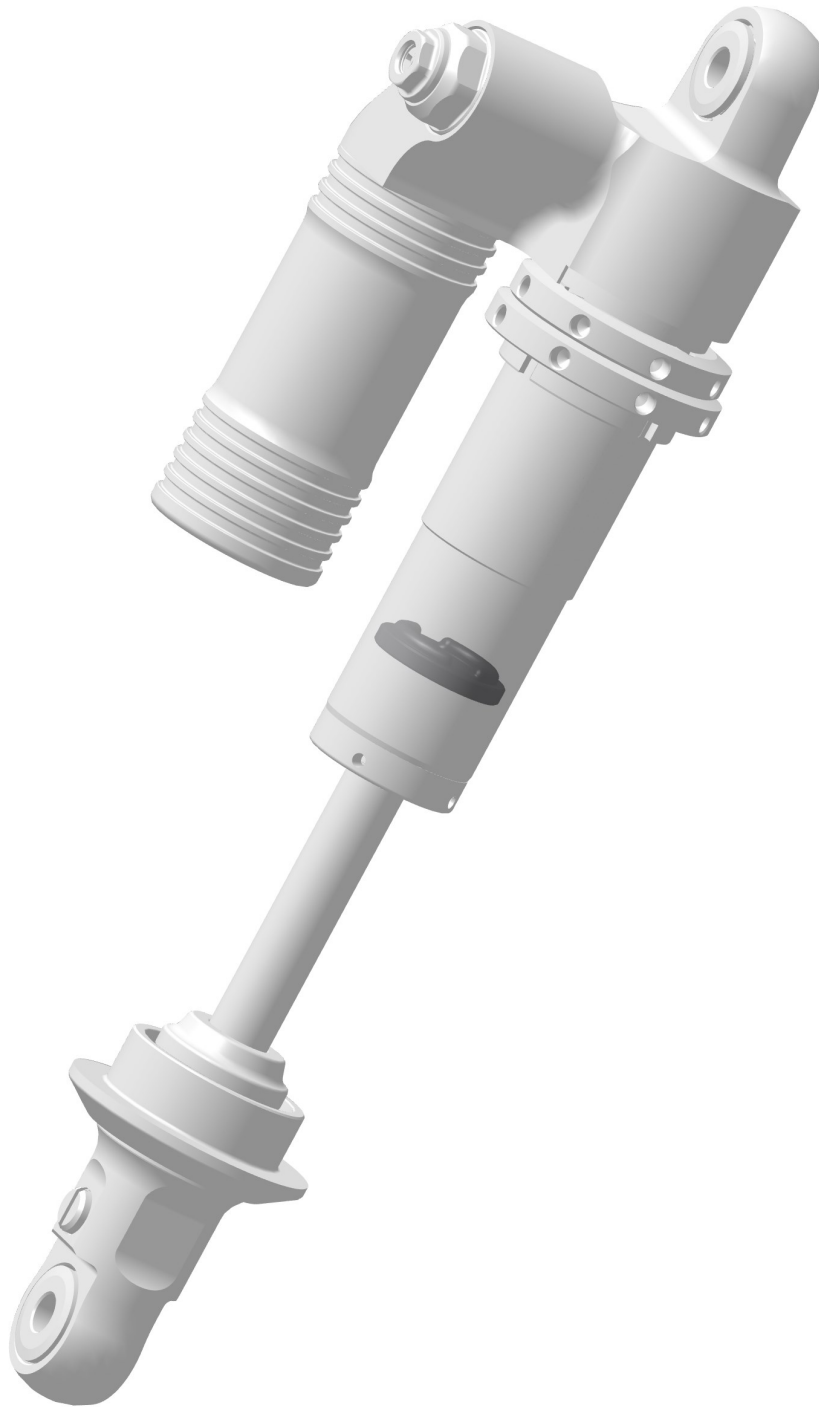
SE N°8 : 016-SE-033_GUIDETIGE 35X16 HT



NOMENCLATURE

REP	NAME	REF	IND	QTY
1	GUIDE TIGE 35X16	170305-D-006	D	1
2	COUVERCLE GUIDE 35	43818-D-014	-	1
3	JONC GUIDE TIGE 35	170305-D-026	A	1
4	PAP 1610 P10	GT01A16B	-	1
5	JOINT HUR 16X24X6.3 VI	JE01B160B5	-	1
6	JOINT RACLEUR	JR09L160N	-	1
7	JOINT TORIQUE 24.99X3.53 VI	JT249909B5	-	1
8	VIS STHC M4X8 POINTUE	VVSTHC0408COPT	-	1

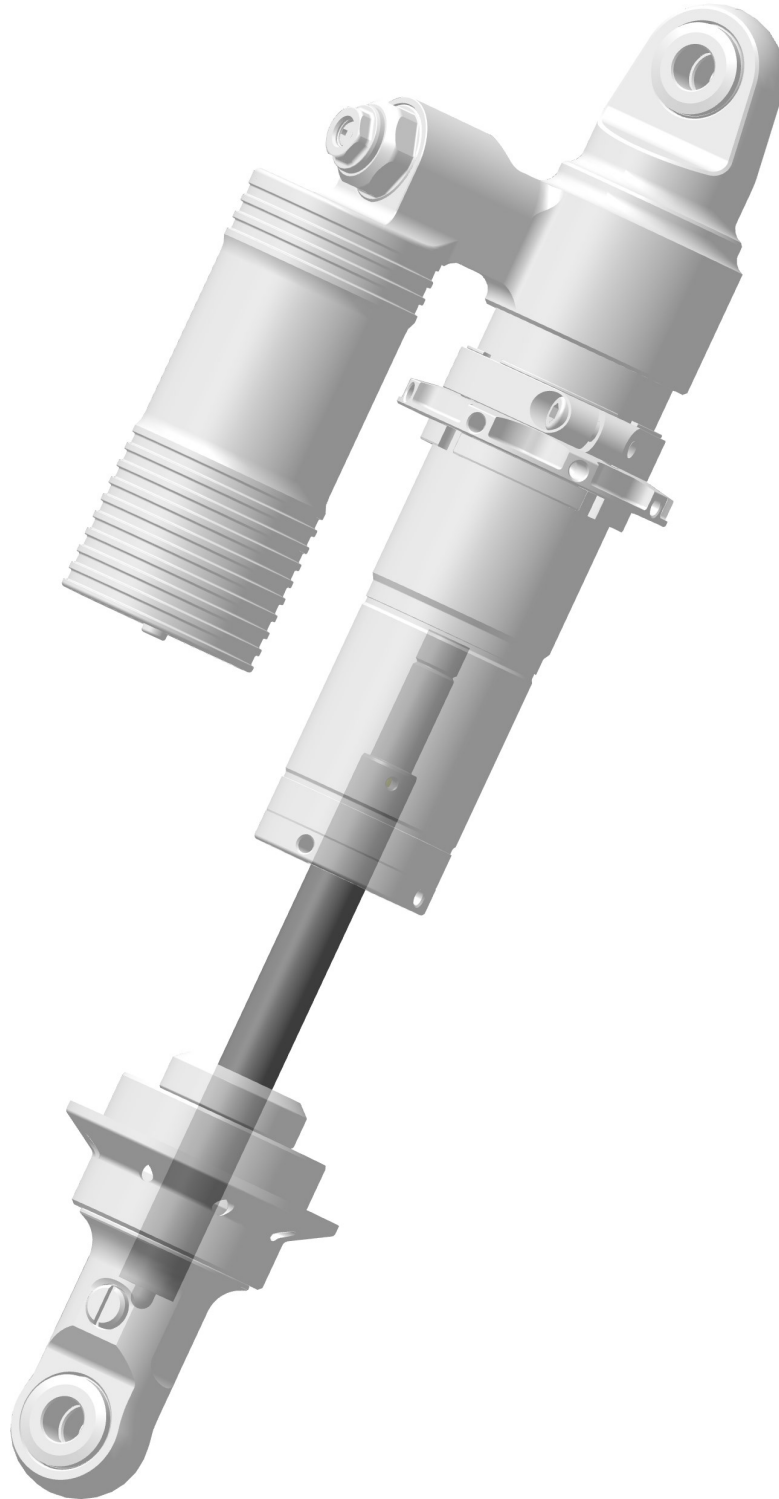
SE N°9 : 017-SE-015_BUTEE DET 35X16



NOMENCLATURE

REP	NAME	REF	IND	QTY
1	TAMPON BUTEE DETENTE	91908-D-005	-	1
2	INSERT BUTEE DETENTE 35X16	43818-D-020	-	1

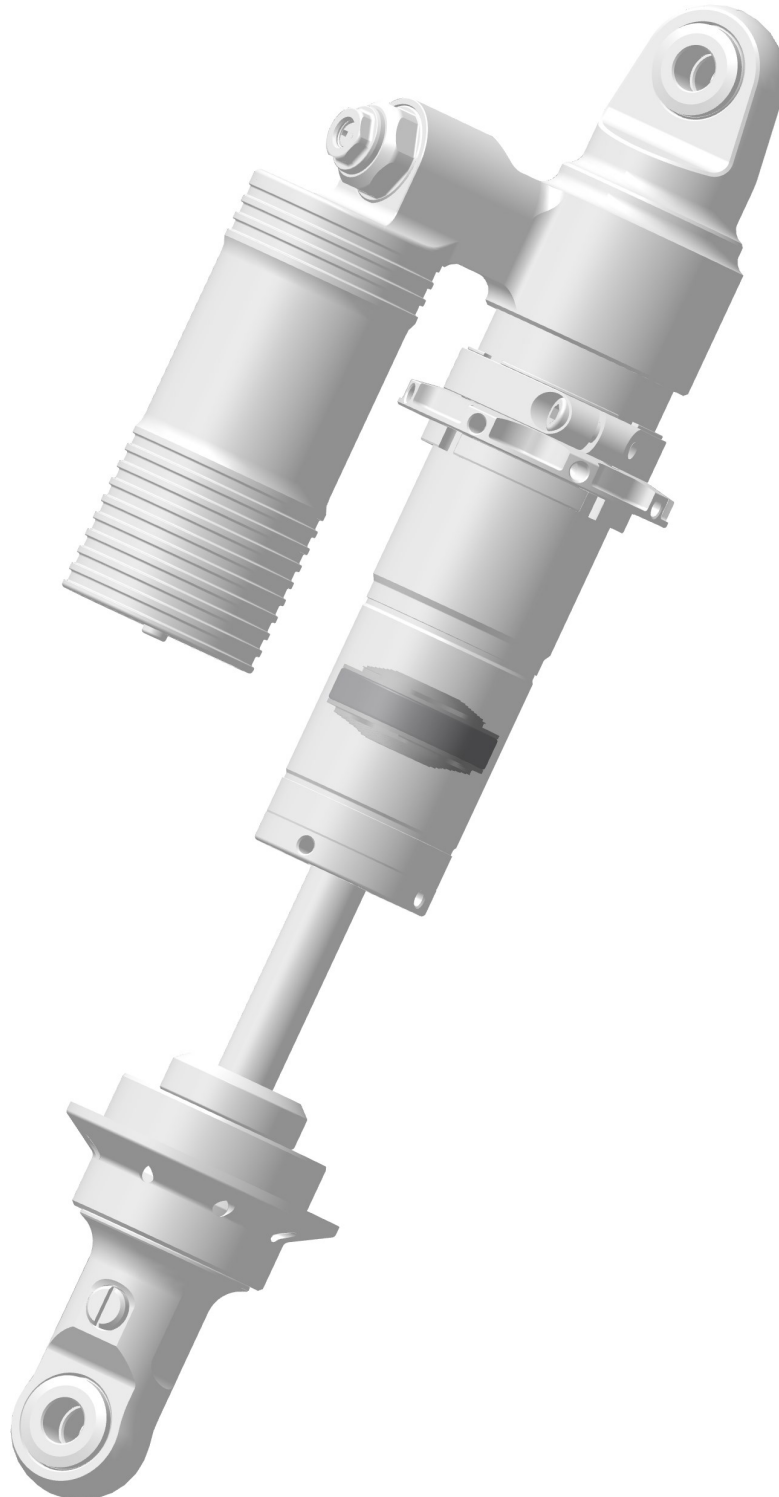
SE N°10 : 015SE018_193_137_TIGE-D16



NOMENCLATURE

REP	NAME	TYPE	REF	IND	QTY
1	TIGE D16	PART	91807D103/193	-	1
2	SIEGE DETENTE 3.5	PART	91205-D-052	-	1
3	POINTEAU DETENTE LINEAIRE	PART	91205-D-256	A	1
4	TRANSMISSION ALU COLLÉE/TARAUDÉE	PART	91807D201/137	-	1
5	APPUI TRANS ALU	PART	91205-D-002	C	1
6	JOINT TORIQUE 3.5X1.5	PART	JT035002A3	-	1

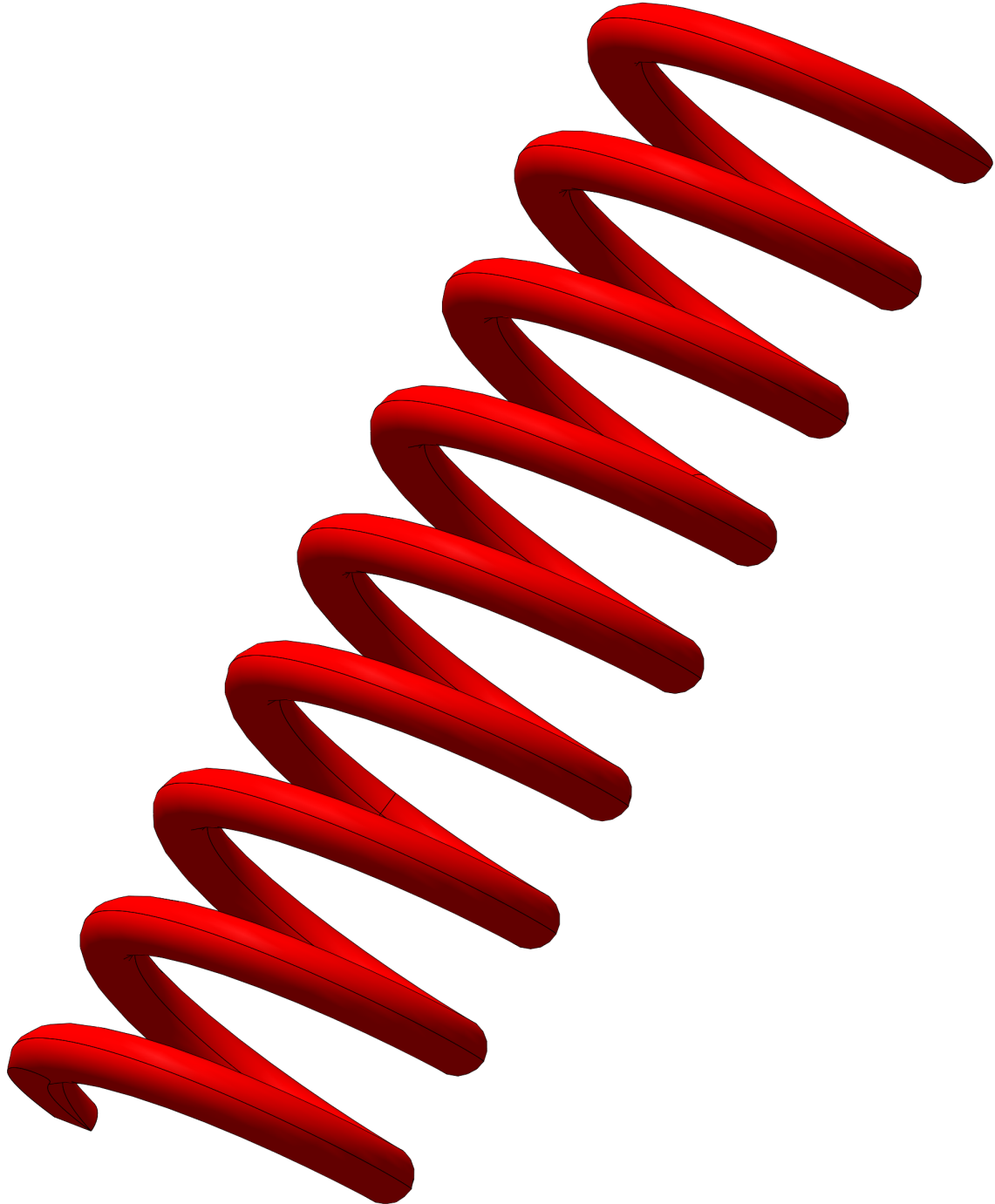
SE N°11 : 020-SE-015_PISTON LINEAIRE D35



NOMENCLATURE

REP	NAME	REF	IND	QTY
1	PISTON LINEAIRE D35	91305-D-152	-	1
2	GUIDAGE PISTON D35	170305-D-025	A	1
3	JOINT TORIQUE 28X2	JT280004	-	1
4	ENSEMBLE CLAPETS	-	-	2

RESSORTS



NOMENCLATURE

DESIGNATION	RAIDEUR	REF	IND
RESSORT PRINCIPAL L210 D47	36	RP-210-47/36	-
RESSORT PRINCIPAL L210 D47	38	RP-210-47/38	-
RESSORT PRINCIPAL L210 D47	40	RP-210-47/40	-
RESSORT PRINCIPAL L210 D47	42	RP-210-47/42	-
RESSORT PRINCIPAL L210 D47	44	RP-210-47/44	-

*** Pour tout renseignement complémentaire concernant le choix de votre ressort, merci de contacter directement nos services.**

NOTES

Lined area for notes, consisting of a large rectangular box with horizontal ruling lines.

NOTES

Lined area for notes, consisting of a large rectangular box with horizontal ruling lines.

NOTES

Lined area for notes, consisting of a large rectangular box with horizontal ruling lines.

NOTES

Lined area for notes, consisting of multiple horizontal lines within a rectangular border.

www.bos-suspension.com



4, Impasse Léonce Couture – F31200 TOULOUSE

/ +33(0)5 34 25 33 66

sales@bos-suspension.com