

BOS

SUSPENSION

Pièces de rechange SYORS Metrique / Trunnion



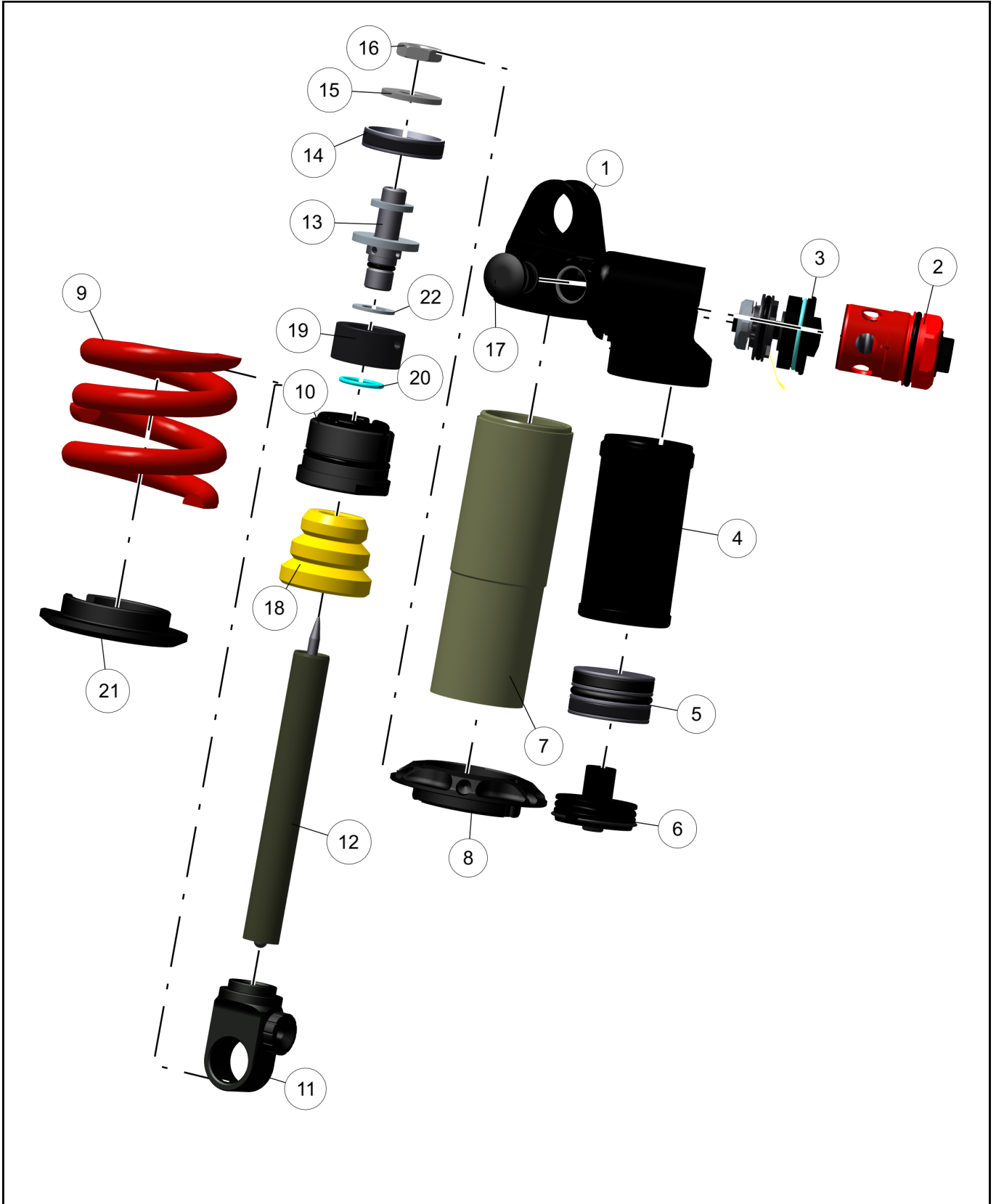
BOS Suspension

4 Impasse Léonce Couture
ZA du Mont Blanc
31200 Toulouse - FRANCE



NA_SYORS

ECLATÉ DU PRODUIT



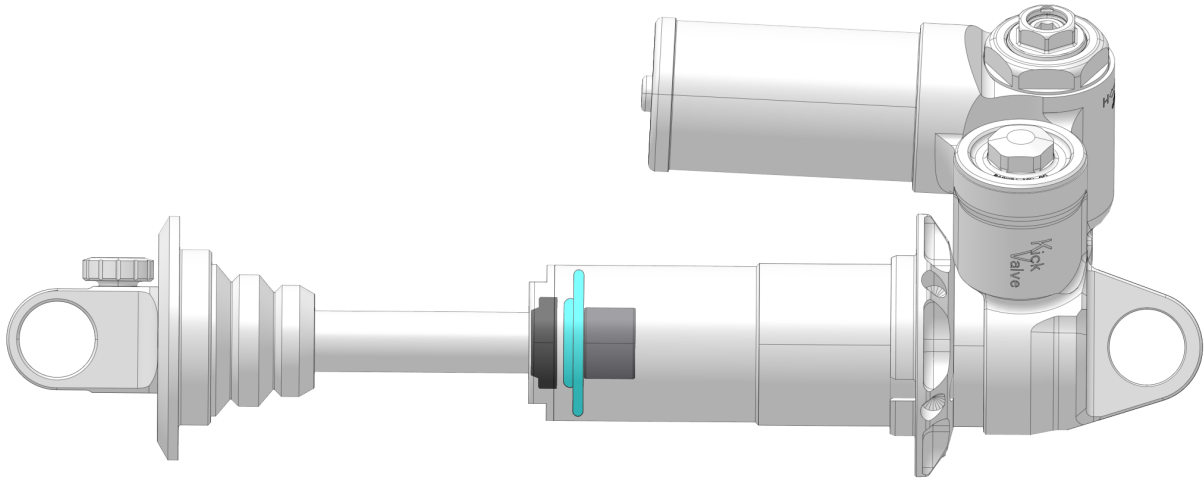
NOMENCLATURE

NOMENCLATURE COMMUNE AMORTISSEURS SYORS					
REP	NAME	TYPE	REF	IND	QTY
2	BLOC COMPRESSION SYORS	ASSEMBLY	002-SE-019	-	1
3	BLOC KICK-VALVE SYORS	ASSEMBLY	002-SE-020	-	1
4	BONBONNE 60MM	PART	152017-D-031	-	1
5	PISTON DIVISEUR 27MM DOUBLE GUIDAGE	ASSEMBLY	004-SE-014	-	1
6	BOUCHON GONFLAGE 27MM	ASSEMBLY	005-SE-006	-	1
8	ECROU RESSORT	ASSEMBLY	009-SE-012	-	1
9	RESSORT ID 36MM	PART	-	-	2
10	GUIDE TIGE 27MM X 12MM	ASSEMBLY	016-SE-026	-	1
11	PIED 15X12.7	ASSEMBLY	011-SE-022	-	1
13	SE PORTE PISTON SYORS	ASSEMBLY	018-SE-018	-	1
14	PISTON ALU	ASSEMBLY	020-SE-019	-	1
15	TOP PLATE ACIER 20MM	PART	150005-D-012	B	1
16	ECROU BAS M8X1 INOX	PART	VEHM08A1	-	1
18	TAMPON	PART	152017-D-022	A	1

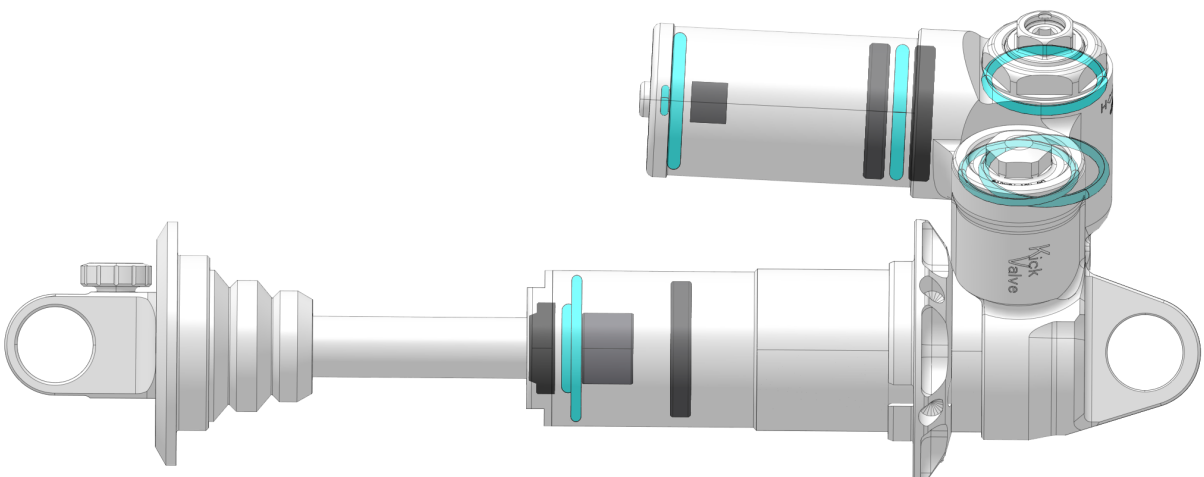
NOMENCLATURE SPECIFIQUE AMORTISSEUR SYORS						
REP	NAME	TYPE	REF	IND	QTY	VERSION
1	TETE SYORS METRIQUE	ASSEMBLY	001-SE-059	-	1	METRIQUE
1	TETE SYORS TRUNNION	ASSEMBLY	001-SE-060	-	1	TRUNNION
7	CYLINDRE 88,5MM	ASSEMBLY	CV01-88,5B	-	1	152017-E-107 / 152017-E-1071
7	CYLINDRE 93,5MM	ASSEMBLY	CV01-93,5B	-	1	152017-E-101
7	CYLINDRE 98,5MM	ASSEMBLY	CV01-98,5B	-	1	152017-E-118 / 152017-E-018
7	CYLINDRE 99,5MM	ASSEMBLY	CV01-99,5B	-	1	152017-E-002 / 152017-E-008 / 152017-E-108
7	CYLINDRE 105,5MM	ASSEMBLY	CV01-105,5B	-	1	152017-E-1031 / 152017-E-103 / 152017-E-1131 / 152017-E-113
7	CYLINDRE 110,5MM	ASSEMBLY	CV01-110,5B	-	1	152017-E-004
7	CYLINDRE 115,5MM	ASSEMBLY	CV01-115,5B	-	1	152017-E-0051 / 152017-E-005 / 152017-E-0151 / 152017-E-015
7	CYLINDRE 123MM	ASSEMBLY	CV01-123B	-	1	152017-E-006 / 152017-E-106
7	BOUCHON TETE SYORS	ASSEMBLY	034-SE-001	-	1	SANS LEVIER
7	BARILLET TETE SYORS	ASSEMBLY	034-SE-002	-	1	AVEC LEVIER
12	TIGE 85MM	ASSEMBLY	015SE070/85/99,5	-	1	152017-E-018 / 152017-E-1071 / 152017-E-107 / 152017-E-118
12	TIGE 96MM	ASSEMBLY	015SE070/96/110,5	-	1	152017-E-002 / 152017-E-008 / 152017-E-101 / 152017-E-108
12	TIGE 103MM	ASSEMBLY	015SE070/103/117,5	-	1	152017-E-004
12	TIGE 109,5MM	ASSEMBLY	15SE070/109,5/124	-	1	152017-E-1031 / 152017-E-103 / 152017-E-113 / 152017-E-1131
12	TIGE 117,5MM	ASSEMBLY	015SE070/117,5/132	-	1	152017-E-006 / 152017-E-106
12	TIGE 119,5MM	ASSEMBLY	015SE070/119,5/134	-	1	152017-E-0051 / 152017-E-005 / 152017-E-0151 / 152017-E-015
19	CALE DETENTE	PART	152017-D-032	-	1	152017-E-118 / 152017-E-0051 / 152017-E-005 / 152017-E-008 152017-E-151 / 152017-E-015 / 152017-E-1031 / 152017-E-103 152017-E-108 / 152017-E-1131 / 152017-E-113
20	JOINT TORIQUE 12X1.5	PART	JT120002A3	-	1	152017-E-118 / 152017-E-0051 / 152017-E-005 / 152017-E-008 152017-E-151 / 152017-E-015 / 152017-E-1031 / 152017-E-103 152017-E-108 / 152017-E-1131 / 152017-E-113
21	COUPELLE RESSORT	PART	152017-D-021	-	1	152017-E-005 / 152017-E-015 / 152017-E-101 / 152017-E-103 152017-E-1071 / 152017-E-113
21	COUPELLE RESSORT	PART	152017-D-024	-	1	152017-E-0051 / 152017-E-151 / 152017-E-1031 / 152017-E-1131
21	COUPELLE RESSORT	PART	150507-D-004	A	1	152017-E-002 / 152017-E-004 / 152017-E-006 / 152017-E-008 152017-E-018 / 152017-E-106 / 152017-E-107 / 152017-E-108 152017-E-118
22	CLAPETS	PART	CLAP1223025	-	2	152017-E-108 / 152017-E-008

KIT REVISION

KIT REVISION LIGHT



KIT REVISION COMPLET



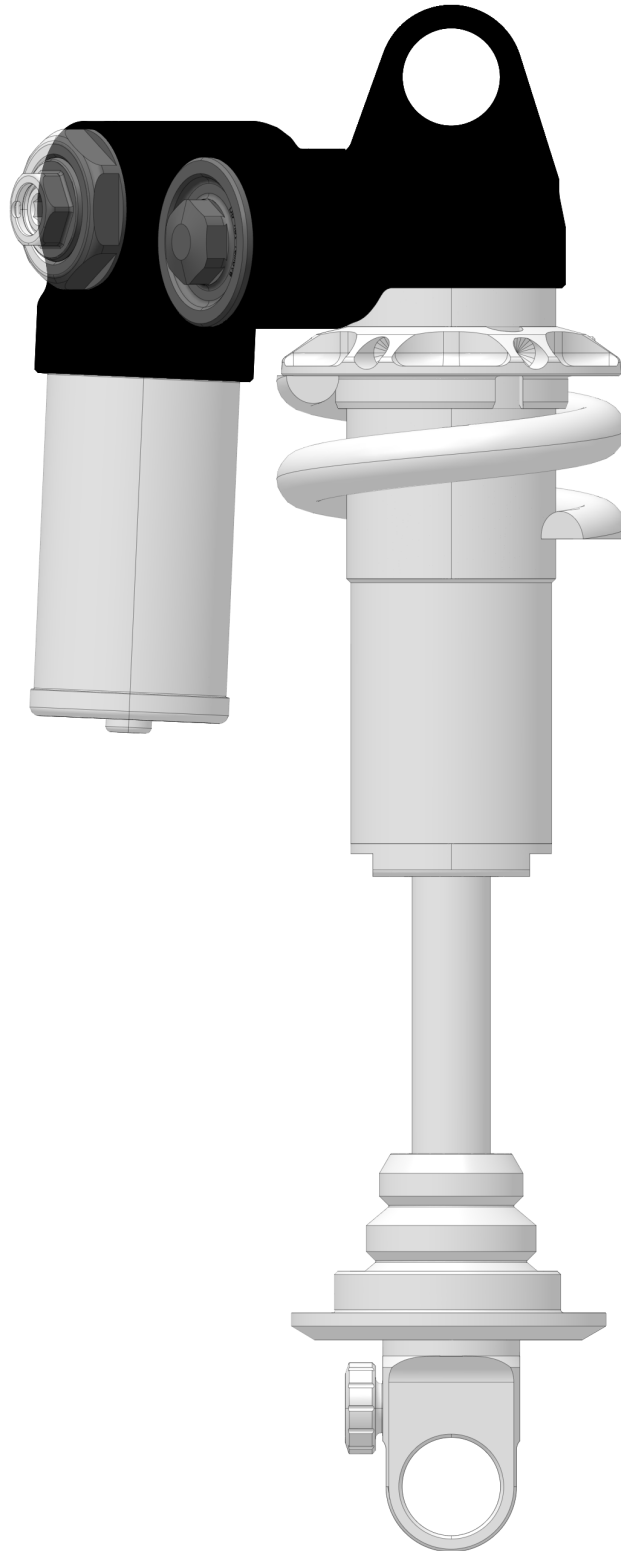
NOMENCLATURE

KREVL-SYORS	SE	Reference	Quantité
Kit révision simple	GT	JT250004A3	1
		JT123706A3	1
		GT01A12B	1
		JR03B120D	1

KREVC-SYORS	SE	Reference	Quantité
Kit révision complet	GT	JT250004A3	1
		JT123706A3	1
		GT01A12B	1
		JR03B120D	1
	Piston	150807-D-016	1
		JT230001A3	1
	Bombe	JT218906A3	2
		130402052	1
		JT030002A3	1
		150807-D-016	2
	Bloc de comp	JT220004A3	1
		JT210004A3	1
	Kick valve	JT210002A3	1
	Tampon	152017-D-022A	1

Pour votre amortisseur SYORS, il est recommandé d'utiliser de l'huile BOS AMX3 spécialement développée par BOS Suspension.

SE N°1 : 001-SE-0XX TETE SYORS



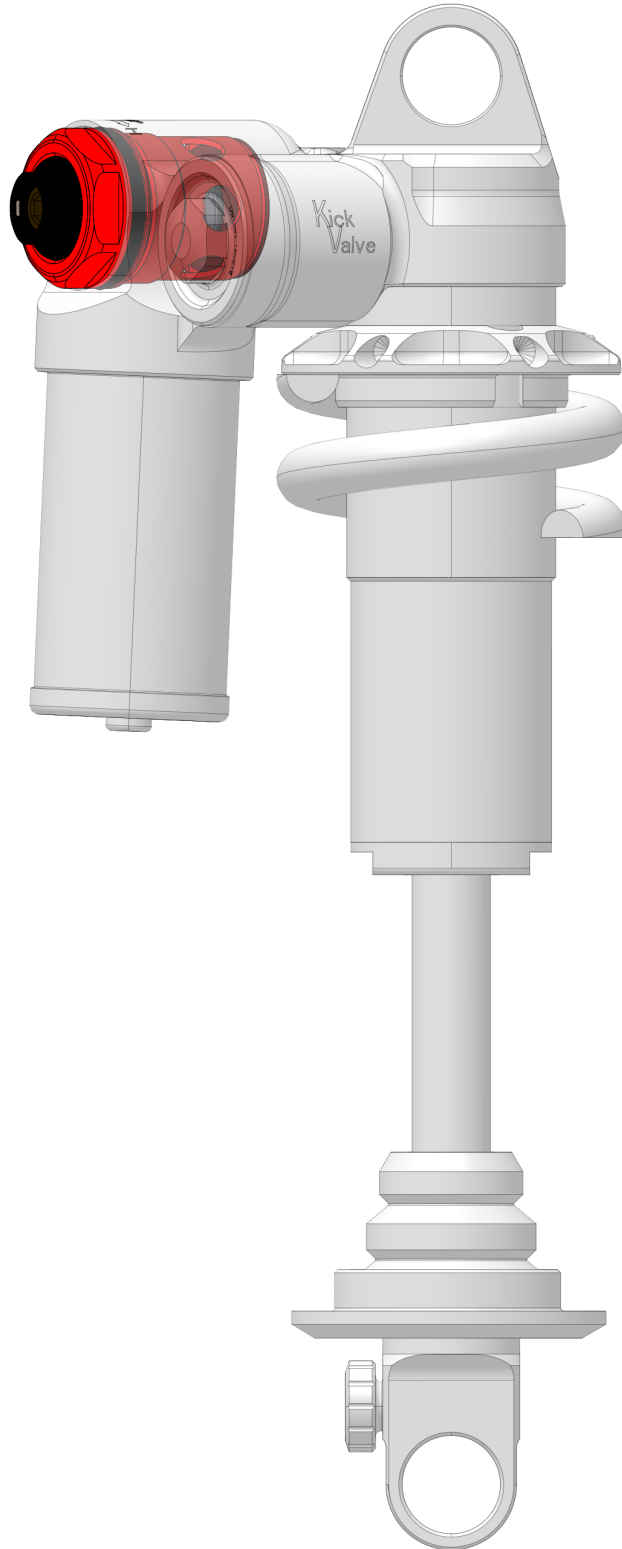
NOMENCLATURE**TETE SYORS METRIQUE : 001-SE-059**

REP	NAME	TYPE	REF	IND	QTY
1	TETE	PART	152017-D-059	-	1
2	JOINT TORIQUE 22X2 NBR	PART	JT220004A3	-	1
3	VIS FHC M3X6 INOX	PART	VVFHC0306A0	-	1
4	ANEAU SMALLEY DNH-13 INOX	PART	CTF13A	-	1
5	JOINT TORIQUE 29X1.5	PART	JT290002A3	-	1
6	JOINT TORIQUE 30X1.5	PART	JT300002A3	-	1

TETE SYORS TRUNNION : 001-SE-060

REP	NAME	TYPE	REF	IND	QTY
1	TETE TRUNION	PART	152017-D-060	-	1
2	VIS FHC M3X6 INOX	PART	VVFHC0306A0	-	1
3	ANEAU SMALLEY DNH-13 INOX	PART	CTF13A	-	1
4	JOINT TORIQUE 30X1.5	PART	JT300002A3	-	1
5	JOINT TORIQUE 22X2 NBR	PART	JT220004A3	-	1
6	JOINT TORIQUE 29X1.5	PART	JT290002A3	-	1

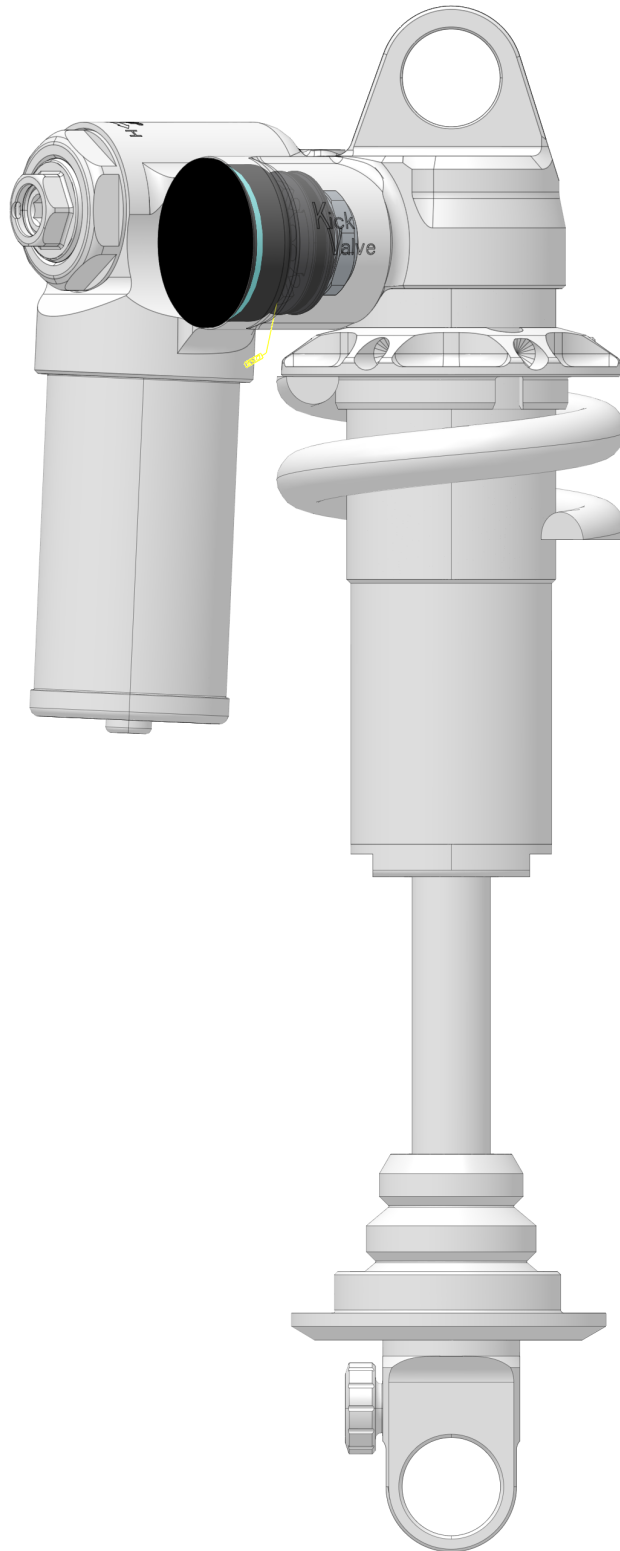
SE N°2 : 002-SE-019 – BLOC COMPRESSION



NOMENCLATURE

REP	NAME	TYPE	REF	IND	QTY
1	BOUCHON BLOC COMP	PART	152017-D-007	A	1
2	ECROU REGLAGE HV	PART	152017-D-006	A	1
3	RESSORT REGLAGE HV	PART	152017-D-005	-	1
4	POINTEAU BV	PART	152017-D-009	-	1
5	JOINT TORIQUE 3X1.5 NBR 70	PART	JT030002A3	-	1
6	JOINT TORIQUE 5X1.5 NBR 70	PART	JT050002A3	-	1
7	JOINT TORIQUE 15.6X1.78 NBR 70	PART	JT156003A3	-	1
8	JOINT TORIQUE 21X2 NBR 70	PART	JT210004A3	-	1
9	JONC 9X0.6	PART	091707-D-016	A	1
10	APPUI SOUPAPE	PART	152017-D-003	-	1
11	BILLE D2.5	PART	B25A	-	2
12	RESSORT INDEXATION	PART	RA3024040B	-	1
13	JONC BLOC COMPRESSION	PART	152017-D-008	-	1
14	JOINT TORIQUE 16X2	PART	JT160004A3	-	1
15	SOUPAPE	PART	152017-D-004	-	1
16	RESSORT INDEXATION	PART	RA3024040B	-	1

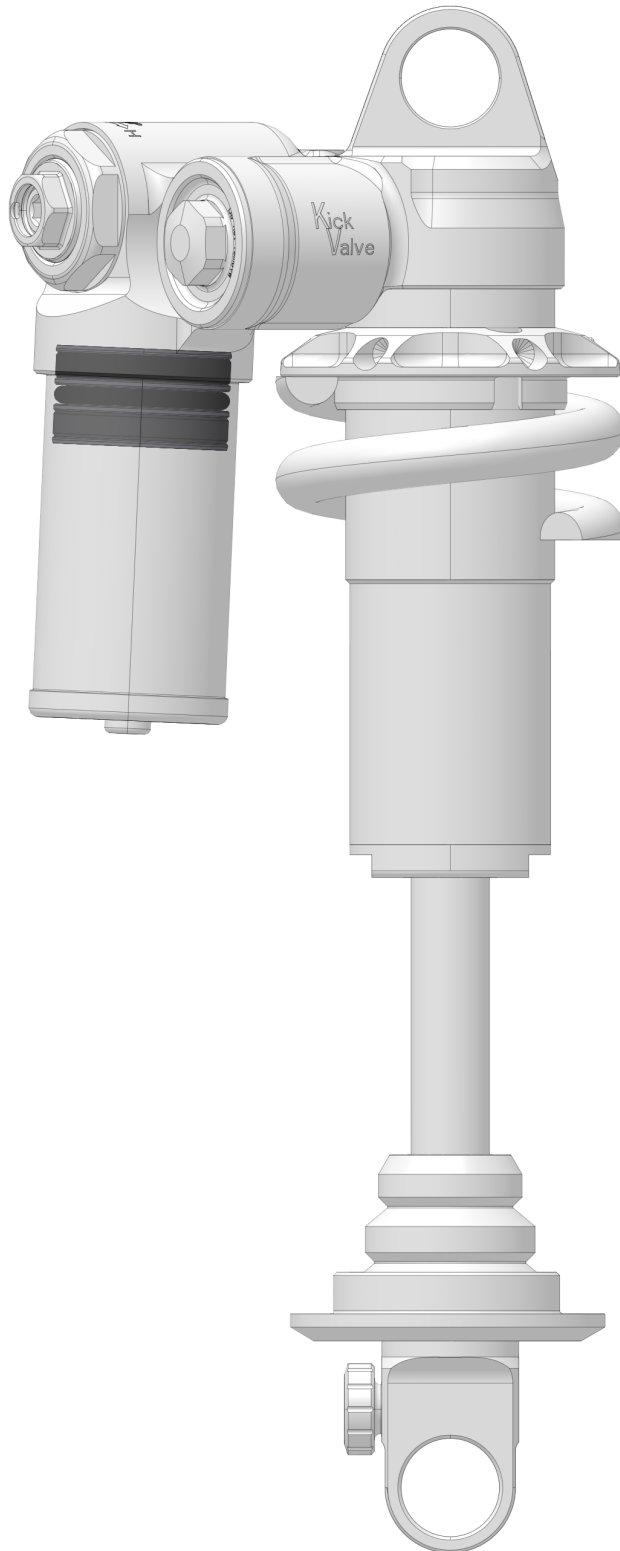
SE N°3 : 002-SE-020 – BLOC KICK VALVE



NOMENCLATURE

REP	NAME	TYPE	REF	IND	QTY
1	BOUCHON BLOC KICK-VALVE	PART	152017-D-002	A	1
2	TOP PLATE	PART	230104-D-040	B	1
3	PISTON KICK-VALVE	PART	152017-D-001	-	1
4	ECROU REAL	PART	152017-D-010	A	1
5	RESSORT REAL	PART	100100005	B	1
6	CLAPET 8X16X0.2	PART	CLAPD0816020	-	1
7	JOINT TORIQUE 21X1.5 NBR 70	PART	JT210002A3	-	1
8	JOINT TORIQUE 18X1.8	PART	JT180018A3	-	1

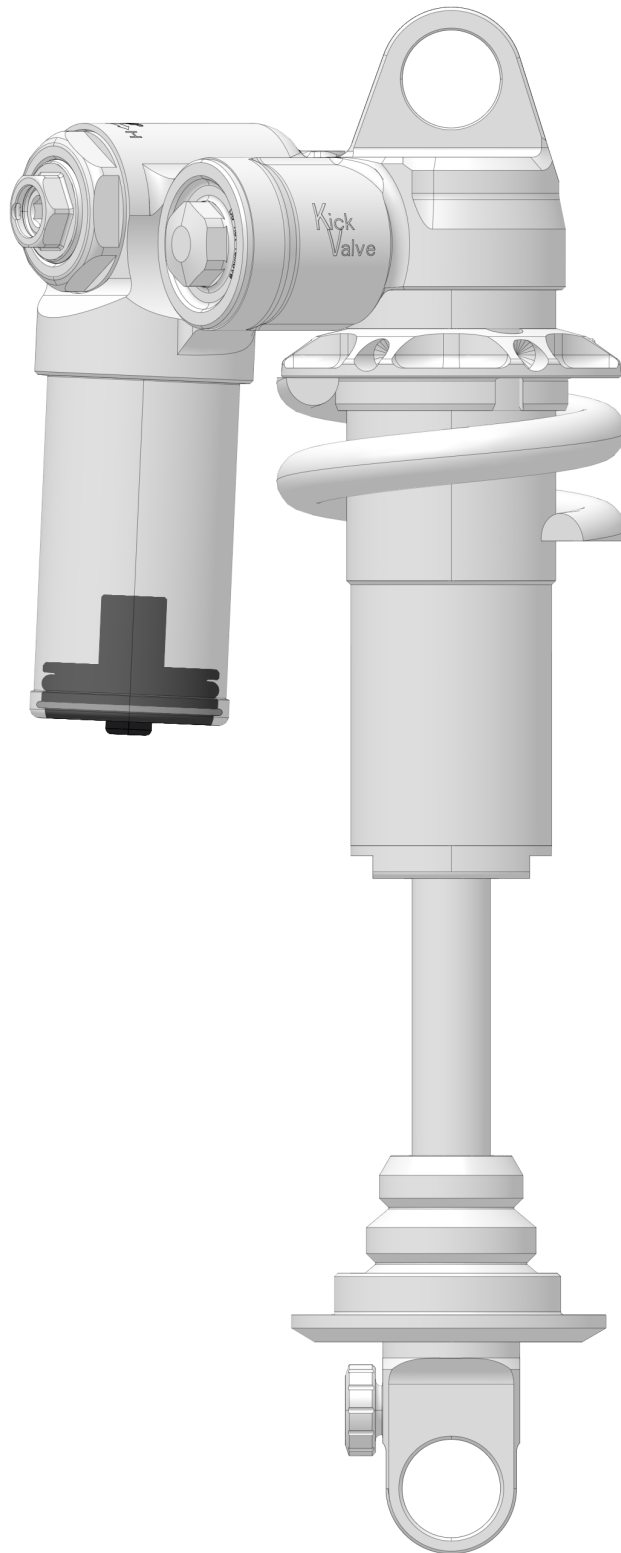
SE N°4 : 004-SE-014- PISTON DIVISEUR 27MM



NOMENCLATURE

REP	NAME	TYPE	REF	IND	QTY
1	PISTON FLOTTANT	PART	151008-D-038	A	1
2	JOINT TORIQUE 21.89X2.62	PART	JT218906A3	-	1
3	GUIDAGE PISTON	PART	150807-D-016	-	2

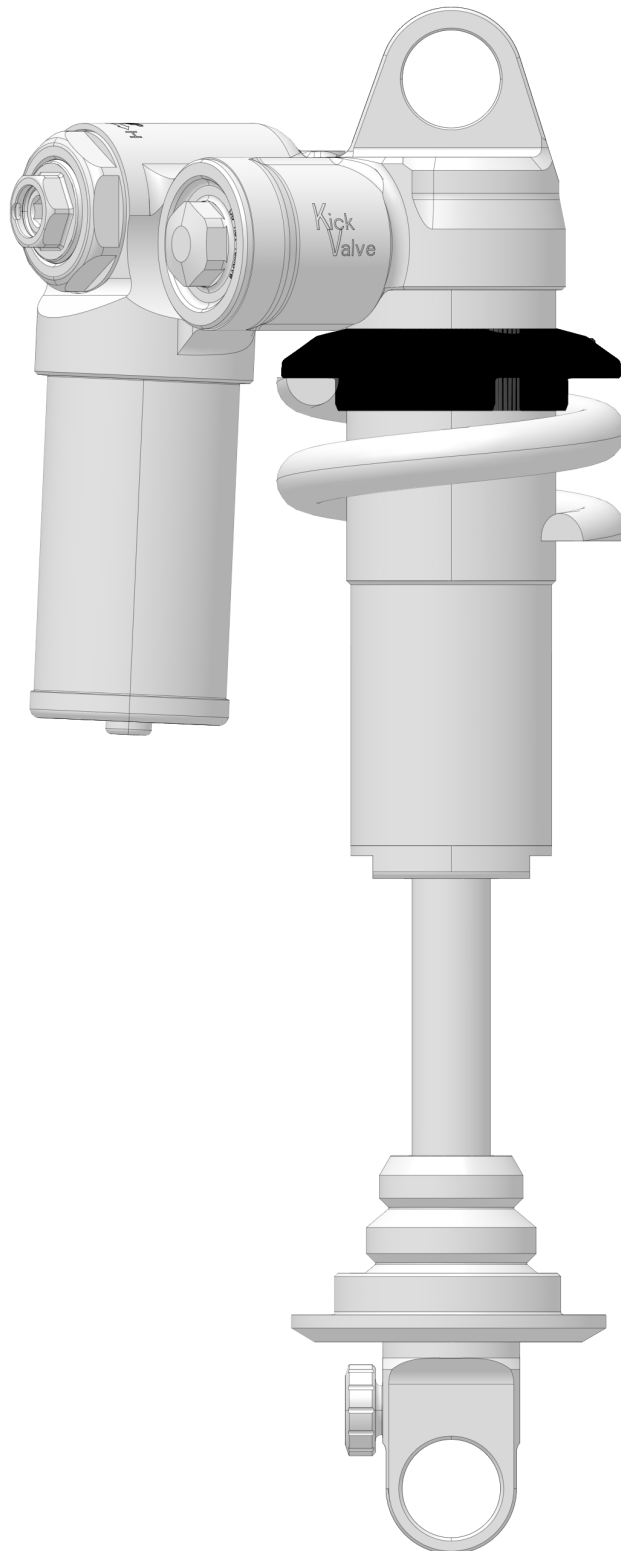
SE N°5 : 005-SE-006-BOUCON GONFLAGE 27MM



NOMENCLATURE

REP	NAME	TYPE	REF	IND	QTY
1	BOUCHON BOMBONNE NOIR	PART	150807D0072	D	1
2	VALVE GONFLAGE	PART	130402052	-	1
3	JOINT TORIQUE 21.89X2.62	PART	JT218906A3	-	1
4	JOINT TORIQUE 3X1.5 NBR 70	PART	JT030002A3	-	1
5	VIS CHC M4X6	PART	VVCHC0406A0	-	1
6	JONC BONBONNE	PART	150807-D-008	-	1

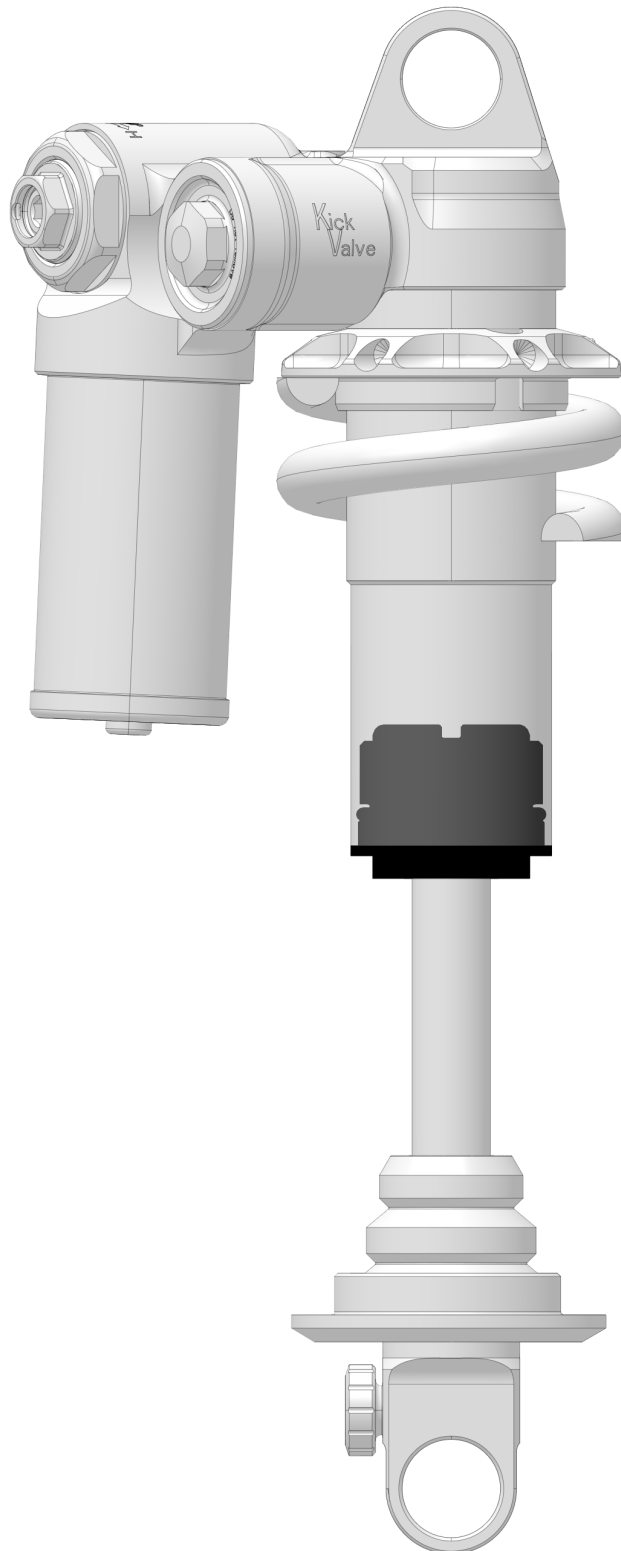
SE N°6 : 009-SE-012 ECROU RESSORT



NOMENCLATURE

REP	NAME	TYPE	REF	IND	QTY
1	ECROU RESSORT NOIR	PART	150807D0202	A	1
2	VIS SANS TETE FENDUE PLASTIQUE M5X6	PART	VVSTHC0506H0	-	1

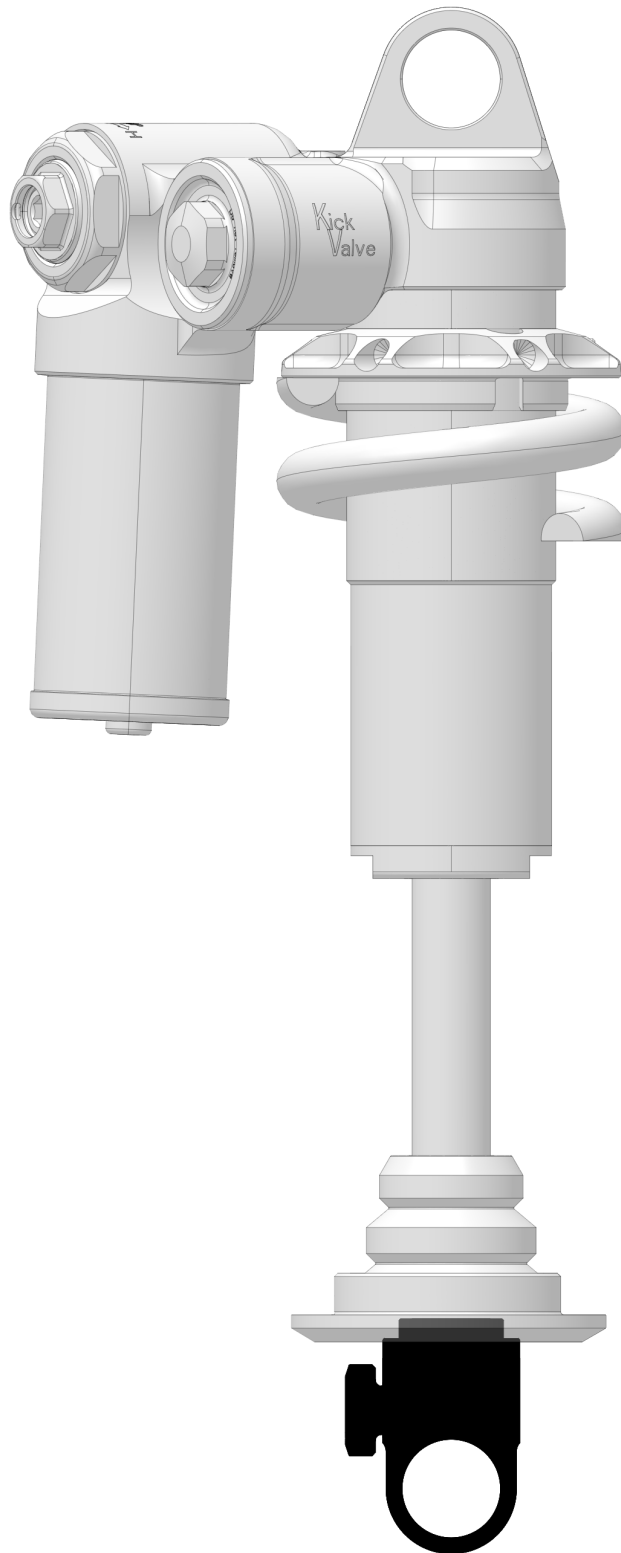
SE N°7 : 016-SE-026 GUIDE TIGE 27X12MM



NOMENCLATURE

REP	NAME	TYPE	REF	IND	QTY
1	GUIDE TIGE	PART	150807-D-055	A	1
2	JOINT TORIQUE 25X2	PART	JT250004A3	-	1
3	RACLEUR HRDIC1201AU 12X18X4,8X3,6	PART	JR03B120D	-	1
4	BUTE DETENTE	PART	150807-D-005	B	1
5	BAGUE PAP 10X12X10 P10 OU P14	PART	GT01A12B	-	1
6	JOINT TORIQUE 12.37X2.62 NBR 70	PART	JT123706A3	-	1

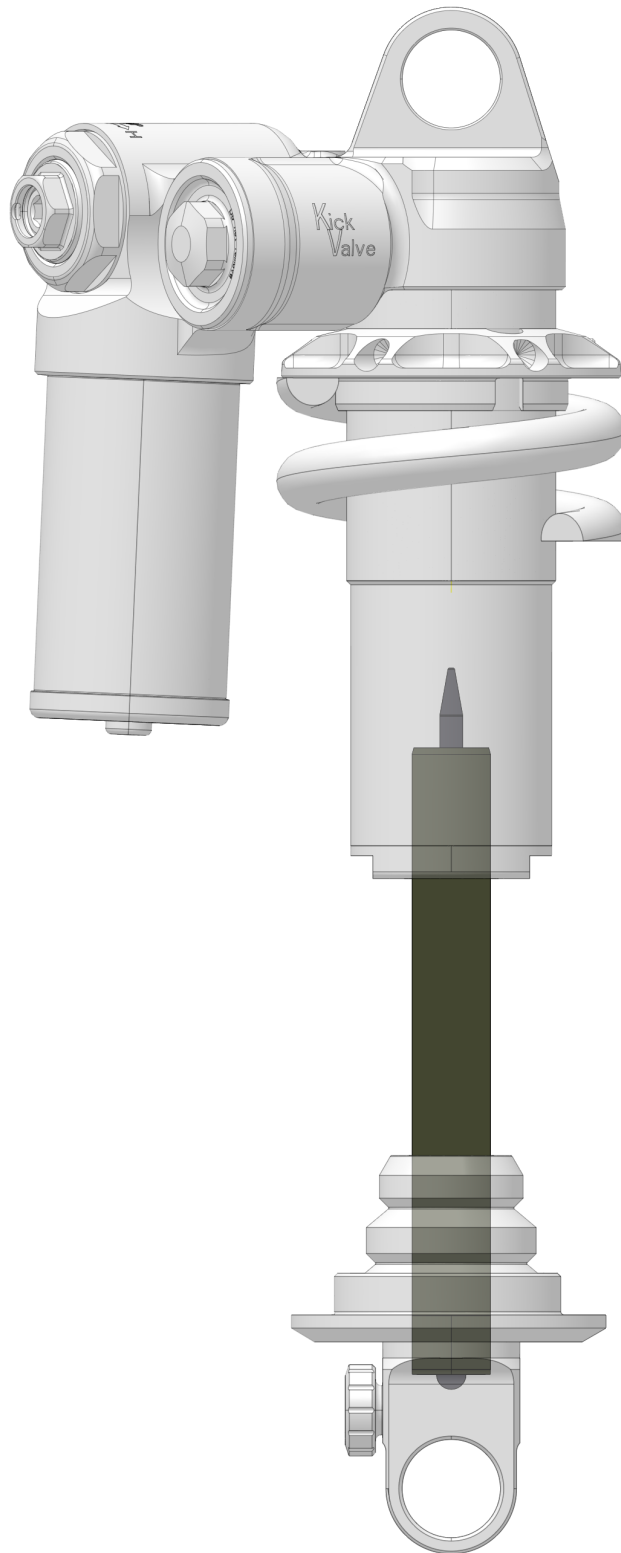
SE N°8 : 011-SE-022 PIED 15X12.7



NOMENCLATURE

REP	NAME	TYPE	REF	IND	QTY
1	PIED 15X12.7	PART	150807D0562	B	1
2	JOINT TORIQUE 7X1.5 NBR 70	PART	JT070002A3	-	1
3	MOLETTE DETENTE	PART	150807-D-033	-	1
4	BILLE D2.5	PART	B25A	-	2
5	RESSORT INDEXATION	PART	RA4025045B	-	1

SE N°9 : 015SE070/XX TIGE D12



NOMENCLATURE

152017-E-018/1071/107/118

015SE070/85/99,5					
REP	NAME	TYPE	REF	IND	QTY
1	TIGE ALU 85MM	PART	TV03-85	A	1
2	POINTEAU 99,5 MTB	PART	152017D038/99,5	-	1
3	JOINT TORIQUE 2X1.5 VI	PART	JT020002A3	-	1

152017-E-002/008/101/108

015SE070/96/110,5					
REP	NAME	TYPE	REF	IND	QTY
1	TIGE ALU 96MM	PART	TV03-96	A	1
2	POINTEAU 110,5 MTB	PART	152017D038/110,5	-	1
3	JOINT TORIQUE 2X1.5 VI	PART	JT020002A3	-	1

152017-E-004

015SE070/103/117,5					
REP	NAME	TYPE	REF	IND	QTY
1	TIGE ALU 103MM	PART	TV03-103	A	1
2	POINTEAU 117,5 MTB	PART	152017D038/117,5	-	1
3	JOINT TORIQUE 2X1.5 VI	PART	JT020002A3	-	1

152017-E-1031/103/113/1131

015SE070/109.5/124					
REP	NAME	TYPE	REF	IND	QTY
1	TIGE ALU 109.5MM	PART	TV03-109.5	A	1
2	POINTEAU 124 MTB	PART	152017D038/124	-	1
3	JOINT TORIQUE 2X1.5 VI	PART	JT020002A3	-	1

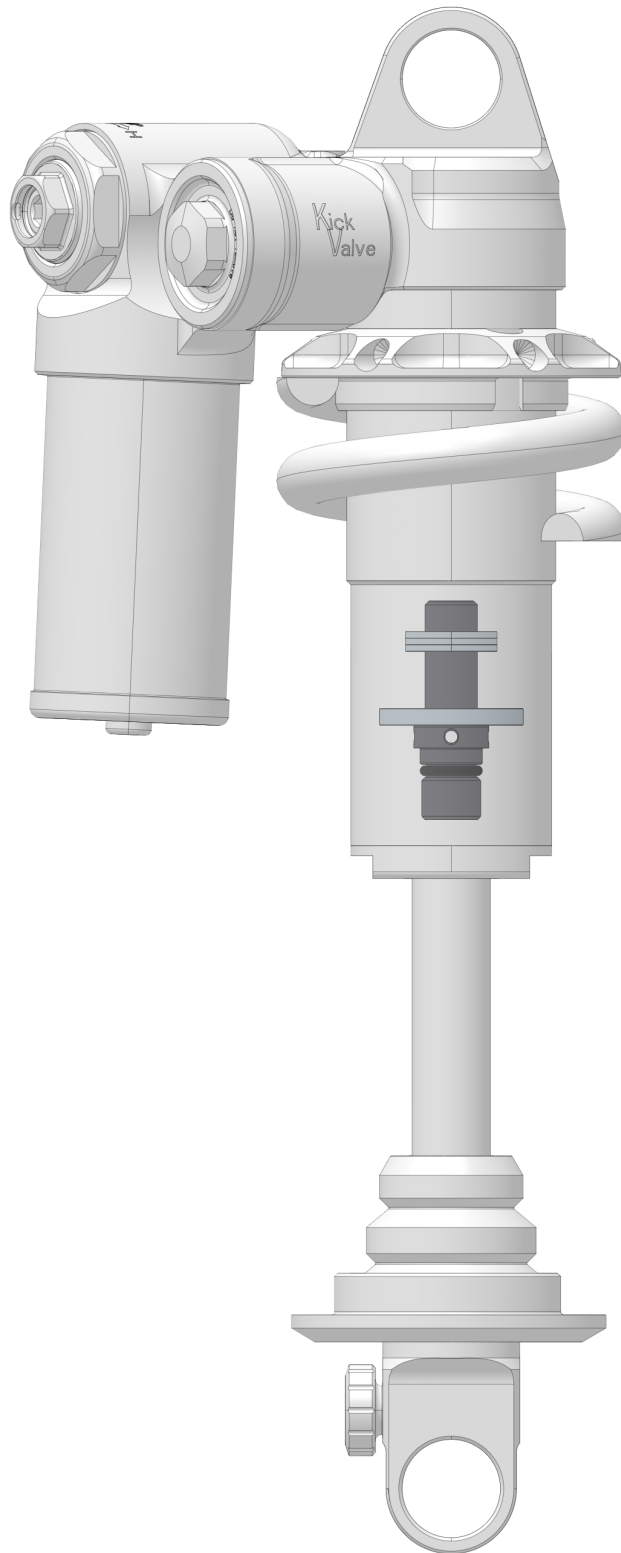
152017-E-006/106

015SE070/117,5/132					
REP	NAME	TYPE	REF	IND	QTY
1	TIGE ALU 117,5MM	PART	TV03-117,5	A	1
2	POINTEAU 132 MTB	PART	152017D038/132	-	1
3	JOINT TORIQUE 2X1.5 VI	PART	JT020002A3	-	1

152017-E-0051/005/0151/015

015SE070/119.5/134					
REP	NAME	TYPE	REF	IND	QTY
1	TIGE ALU 119.5MM	PART	TV03-119.5	A	1
2	POINTEAU 134 MTB	PART	152017D038/134	-	1
3	JOINT TORIQUE 2X1.5 VI	PART	JT020002A3	-	1

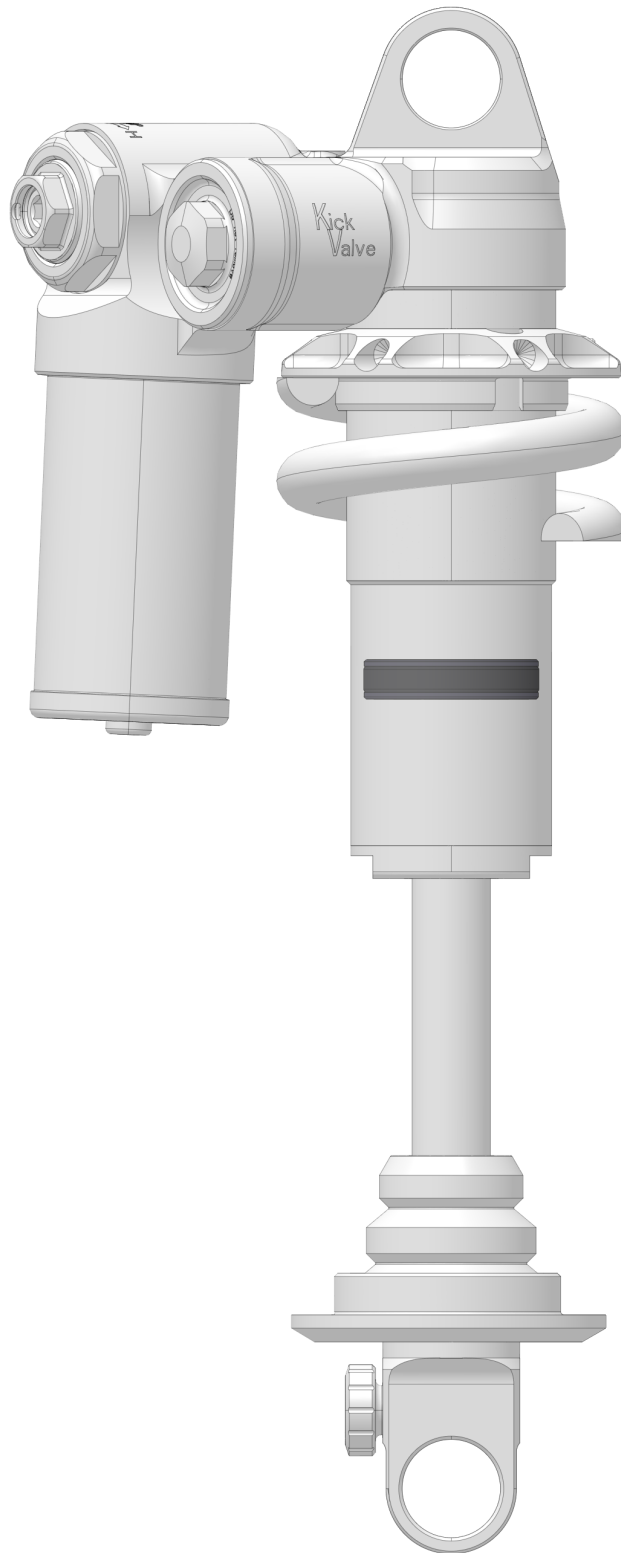
SE N°10 : 018-SE-018 PORTE PISTON



NOMENCLATURE

REP	NAME	TYPE	REF	IND	QTY
1	PORTE PISTON MTB	PART	150807-D-068	-	1
2	JOINT TORIQUE 6.5X1.5	PART	JT065002A3	-	1
3	TOP PLATE ACIER 22MM	PART	150406-D-008	A	1
4	RONDELLE CALAGE 8X14X1 ACIER	PART	VR081410C	-	3

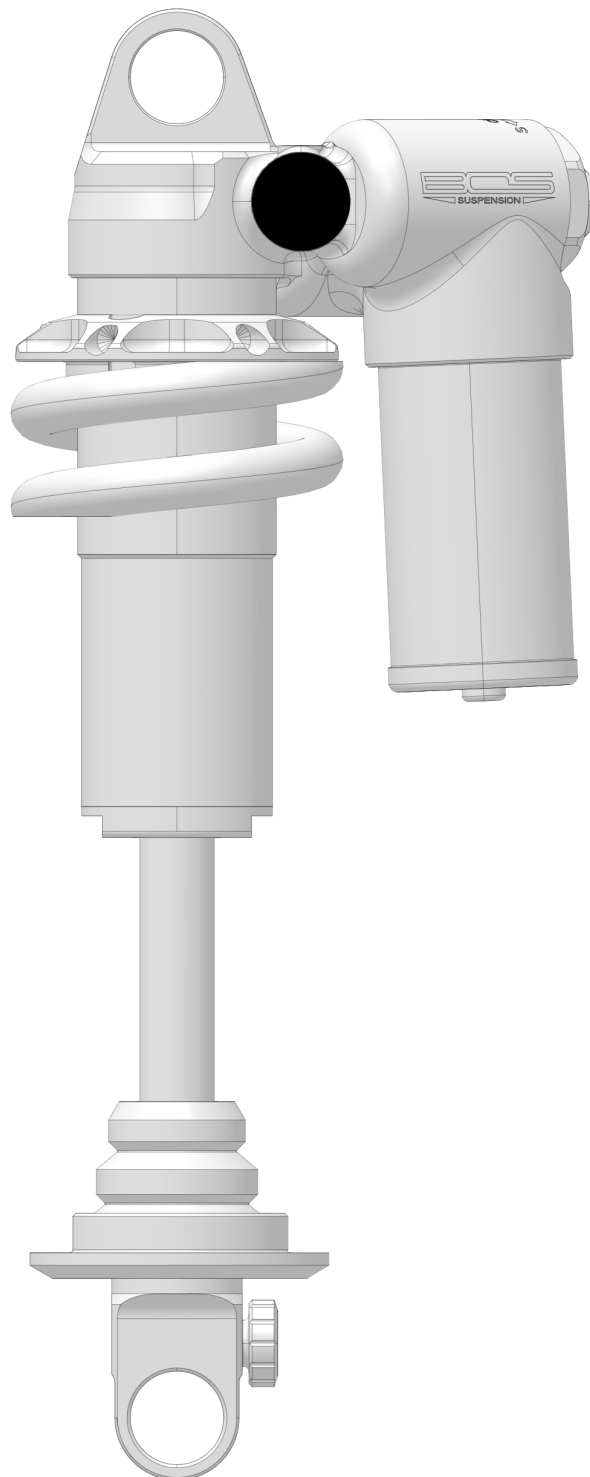
SE N°11 : 020-SE-019-PISTON ALU



NOMENCLATURE

REP	NAME	TYPE	REF	IND	QTY
1	PISTON ALU	PART	150807-D-015	A	1
2	GUIDAGE PISTON	PART	150807-D-016	-	1
3	JOINT TORIQUE 23X1 NBR 70	PART	JT230001A3	-	1

SE N° 12 : 034-SE-00X BOUCHON/BARILLET TETE



NOMENCLATURE

034-SE-001-BOUCHON TETE					
REP	NAME	TYPE	REF	IND	QTY
1	BOUCHON BARILLET	PART	152017-D-016	-	1
2	JOINT TORIQUE 7X1.5 NBR 70	PART	JT070002A3	-	1
3	JOINT TORIQUE 9X1 NBR 70	PART	JT090001A3	-	1
4	CACHE TETE	PART	152017-D-017	-	1
5	VIS STHC M3X8 INOX	PART	VVSTHC0308A0	-	1

034-SE-002-BARILLET					
REP	NAME	TYPE	REF	IND	QTY
1	BARILLET	PART	152017-D-014	-	1
2	JOINT TORIQUE 9X1 NBR 70	PART	JT090001A3	-	1
3	JOINT TORIQUE 6X1.5 NBR70	PART	JT060002A3	-	1
4	JOINT TORIQUE 7X1.5 NBR 70	PART	JT070002A3	-	1
5	LEVIER	PART	152017-D-015	-	1
6	VIS FHC M3X10 INOX	PART	VVFHC0310A0	-	1
7	CLAPET 8X12X0.1	PART	CLAPD0812010	-	1

NOTES

Lined area for notes, consisting of a large rectangular box with horizontal ruling lines.

NOTES

Lined area for notes, consisting of a large rectangular box with horizontal ruling lines.

www.bos-suspension.com



4, Impasse Léonce Couture – F31200 TOULOUSE

/ +33(0)5 34 25 33 66

sales@bos-suspension.com