



Notice Pièces De Rechange VOID3 Metrique



BOS Suspension

4 Impasse Léonce Couture
ZA du Mont Blanc
31200 Toulouse - FRANCE



NC_VOID3

ECLATÉ DU PRODUIT



NOMENCLATURE

152017-E-205-VOID3-250X75					
REP	NAME	TYPE	REF	IND	QTY
1	TETE DH	ASSEMBLY	001-SE-059		1
2	BLOC COMPRESSION	ASSEMBLY	002-SE-019	-	1
3	BLOC KICK-VALVE	ASSEMBLY	002-SE-020	-	1
4	BONBONNE 60MM	PART	152017-D-031	-	1
5	PISTON DIVISEUR 27MM DOUBLE GUIDAGE	ASSEMBLY	004-SE-014	-	1
6	BOUCHON GONFLAGE 27MM	ASSEMBLY	005-SE-006	-	1
7	CYLINDRE LISSE 113MM	PART	151008D013/12	---	1
8	GUIDE TIGE AIR 27X12	ASSEMBLY	016-SE-036	-	1
9	JOINT TORIQUE 26X1.5	PART	JT260002B5	-	1
10	PIED AIR 15X12.7	ASSEMBLY	011-SE-030	-	1
11	TIGE	ASSEMBLY	015SE70/119.5/134	-	1
12	PORTE PISTON	ASSEMBLY	018-SE-018	-	1
13	PISTON ALU	ASSEMBLY	020-SE-019	-	1
14	TOP PLATE ACIER 20MM	PART	150005-D-012	B	1
15	ECROU BAS M8X1 INOX	PART	VEHM08A1	-	1
16	JOINT TORIQUE 10X3	PART	JT100007A3	-	1
17	CHAMBRE AIR "MED VOL" 75MM	PART	151008D036/4		1
18	JOINT TORIQUE 47.35X1.78	PART	JT480002A3	-	1
19	CHEMISE AIR 75MM	ASSEMBLY	047SE001-75	-	1
20	COLLIER VALVE	ASSEMBLY	047-SE-002	-	1
21	CHAMBRE NEGATIVE	ASSEMBLY	047-SE-003	-	1
22	CALE DETENTE	PART	152017-D-033	-	1
23	JOINT TORIQUE 12X1.5 NBR 70	PART	JT120002A3	.	1
24	BOUCHON TETE	ASSEMBLY	034-SE-001	-	1
25	CLAPET 12X24X0.3	PART	CLAPD1224030	.	1

152017-E-303-VOID3-230X65					
REP	NAME	TYPE	REF	IND	QTY
1	TETE DH	ASSEMBLY	001-SE-059		1
2	BLOC COMPRESSION	ASSEMBLY	002-SE-019	-	1
3	BLOC KICK-VALVE	ASSEMBLY	002-SE-020	-	1
4	BONBONNE 60MM	PART	152017-D-031	-	1
5	PISTON DIVISEUR 27MM DOUBLE GUIDAGE	ASSEMBLY	004-SE-014	-	1
6	BOUCHON GONFLAGE 27MM	ASSEMBLY	005-SE-006	-	1
7	CYLINDRE LISSE 103MM	PART	151008D013/11	---	1
8	GUIDE TIGE AIR 27X12	ASSEMBLY	016-SE-036	-	1
9	JOINT TORIQUE 26X1.5	PART	JT260002B5	-	1
10	PIED AIR 15X12.7	ASSEMBLY	011-SE-030	-	1
11	TIGE	ASSEMBLY	015SE070/109.5/124	-	1
12	PORTE PISTON	ASSEMBLY	018-SE-018	-	1
13	PISTON ALU	ASSEMBLY	020-SE-019	-	1
14	TOP PLATE ACIER 20MM	PART	150005-D-012	B	1
15	ECROU BAS M8X1 INOX	PART	VEHM08A1	-	1
16	JOINT TORIQUE 10X3	PART	JT100007A3	-	1
17	CHAMBRE AIR "MED VOL" 65MM	PART	151008D036/6		1
18	JOINT TORIQUE 47.35X1.78	PART	JT480002A3	-	1
19	CHEMISE AIR 65MM	ASSEMBLY	047SE001-65	-	1
20	COLLIER VALVE	ASSEMBLY	047-SE-002	-	1
21	CHAMBRE NEGATIVE	ASSEMBLY	047-SE-003	-	1
22	CALE DETENTE	PART	152017-D-033	-	1
23	JOINT TORIQUE 12X1.5 NBR 70	PART	JT120002A3	.	1
24	BARILLET TETE	ASSEMBLY	034-SE-002	-	1
25	CLAPET 12X24X0.3	PART	CLAPD1224030	.	1

NOMENCLATURE

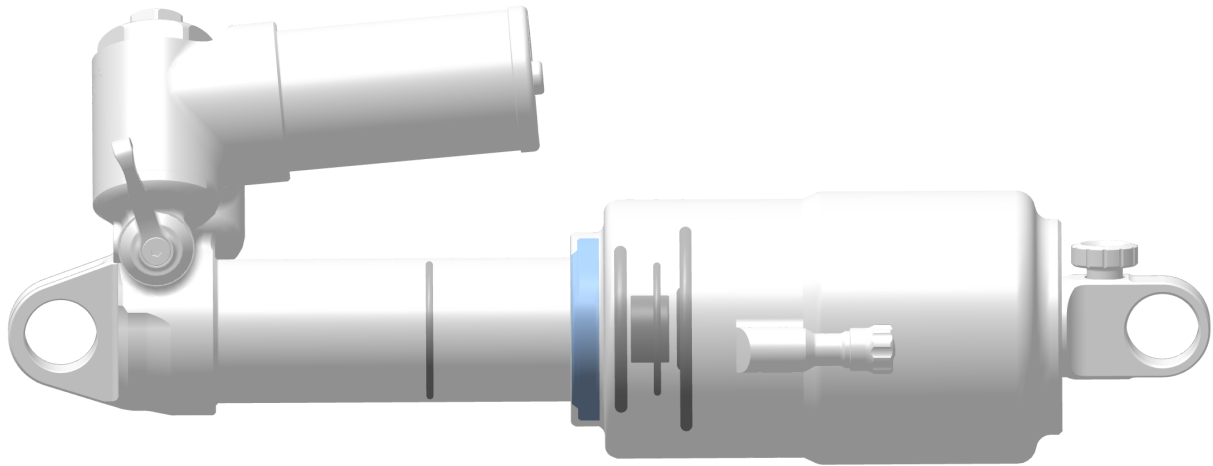
152017-E-2051-VOID3-250X70					
REP	NAME	TYPE	REF	IND	QTY
1	TETE DH	ASSEMBLY	001-SE-059		1
2	BLOC COMPRESSION	ASSEMBLY	002-SE-019	-	1
3	BLOC KICK-VALVE	ASSEMBLY	002-SE-020	-	1
4	BONBONNE 60MM	PART	152017-D-031	-	1
5	PISTON DIVISEUR 27MM DOUBLE GUIDAGE	ASSEMBLY	004-SE-014	-	1
6	BOUCHON GONFLAGE 27MM	ASSEMBLY	005-SE-006	-	1
7	CYLINDRE LISSE 113MM	PART	151008D013/12	---	1
8	GUIDE TIGE AIR 27X12	ASSEMBLY	016-SE-036	-	1
9	JOINT TORIQUE 26X1.5	PART	JT260002B5	-	1
10	PIED AIR 15X12.7	ASSEMBLY	011-SE-030	-	1
11	TIGE	ASSEMBLY	015SE070/119.5/134	-	1
12	PORTE PISTON	ASSEMBLY	018-SE-018	-	1
13	PISTON ALU	ASSEMBLY	020-SE-019	-	1
14	TOP PLATE ACIER 20MM	PART	150005-D-012	B	1
15	ECROU BAS M8X1 INOX	PART	VEHM08A1	-	1
16	JOINT TORIQUE 10X3	PART	JT100007A3	-	1
17	CHAMBRE AIR "MED VOL" 75MM	PART	151008D036/4		1
18	JOINT TORIQUE 47.35X1.78	PART	JT480002A3	-	1
19	CHEMISE AIR 75MM	ASSEMBLY	047SE001-75	-	1
20	COLLIER VALVE	ASSEMBLY	047-SE-002	-	1
21	CHAMBRE NEGATIVE	ASSEMBLY	047-SE-003	-	1
22	CALE DETENTE	PART	152017-D-033	-	1
23	JOINT TORIQUE 12X1.5 NBR 70	PART	JT120002A3	.	1
24	BOUCHON TETE	ASSEMBLY	034-SE-001	-	1
25	CALE COMP 5MM	PART	152017-D-034	-	1

NOMENCLATURE

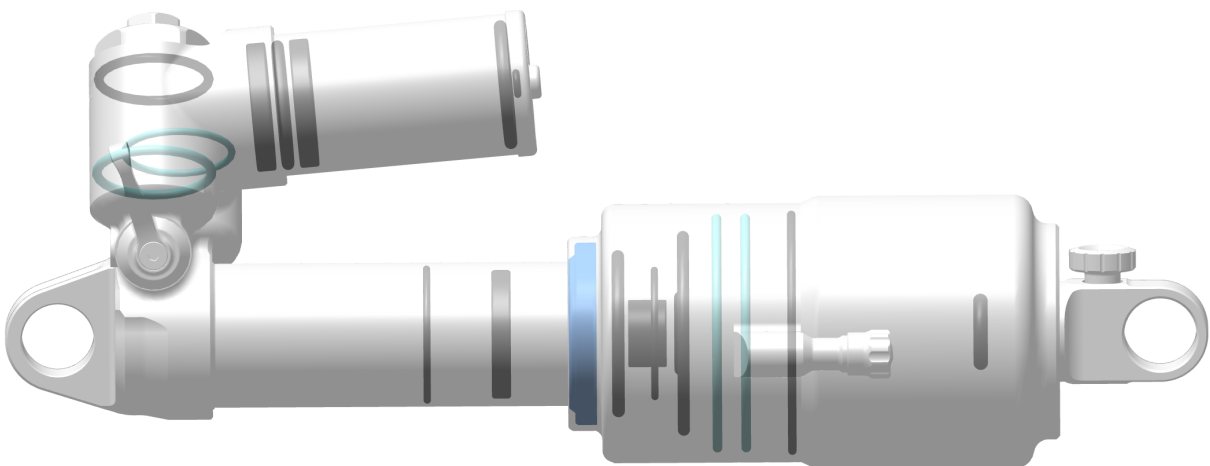
152017-E-3031-VOID3-230X60					
REP	NAME	TYPE	REF	IND	QTY
1	TETE DH	ASSEMBLY	001-SE-059		1
2	BLOC COMPRESSION	ASSEMBLY	002-SE-019	-	1
3	BLOC KICK-VALVE	ASSEMBLY	002-SE-020	-	1
4	BONBONNE 60MM	PART	152017-D-031	-	1
5	PISTON DIVISEUR 27MM DOUBLE GUIDAGE	ASSEMBLY	004-SE-014	-	1
6	BOUCHON GONFLAGE 27MM	ASSEMBLY	005-SE-006	-	1
7	CYLINDRE LISSE 103MM	PART	151008D013/11	---	1
8	GUIDE TIGE AIR 27X12	ASSEMBLY	016-SE-036	-	1
9	JOINT TORIQUE 26X1.5	PART	JT260002B5	-	1
10	PIED AIR 15X12.7	ASSEMBLY	011-SE-030	-	1
11	TIGE	ASSEMBLY	015SE070/109.5/124	-	1
12	PORTE PISTON	ASSEMBLY	018-SE-018	-	1
13	PISTON ALU	ASSEMBLY	020-SE-019	-	1
14	TOP PLATE ACIER 20MM	PART	150005-D-012	B	1
15	ECROU BAS M8X1 INOX	PART	VEHM08A1	-	1
16	JOINT TORIQUE 10X3	PART	JT100007A3	-	1
17	CHAMBRE AIR "MED VOL" 65MM	PART	151008D036/6		1
18	JOINT TORIQUE 47.35X1.78	PART	JT480002A3	-	1
19	CHEMISE AIR 65MM	ASSEMBLY	047SE001-65	-	1
20	COLLIER VALVE	ASSEMBLY	047-SE-002	-	1
21	CHAMBRE NEGATIVE	ASSEMBLY	047-SE-003	-	1
22	CALE DETENTE	PART	152017-D-033	-	1
23	JOINT TORIQUE 12X1.5 NBR 70	PART	JT120002A3	.	1
24	BARILLET TETE	ASSEMBLY	034-SE-002	-	1
25	CALE COMP 5MM	PART	152017-D-034	-	1

KIT REVISION

KIT REVISION LIGHT



KIT REVISION COMPLET



NOMENCLATURE

KREVL-VOID3	SE	Reference	Quantité
Kit révision light	Chambre NEG	JT298206A3	1
		JR03B300D	1
	GT	JT250002A3	1
		JT123706A3	1
		JT380005A3	1
		GT01A12A	1
	Joint témoin	JT260002B5	1

KREVC-VOID3	SE	Reference	Quantité
Kit révision complet	Chambre NEG	JT298206A3	1
		JR03B300D	1
	GT	JT250002A3	1
		JT123706A3	1
		JT380005A3	1
		GT01A12A	1
	Piston	150807-D-016	1
		JT230001A3	1
	Bombe	JT218906A3	2
		130402052	1
		JT030002A3	1
		150807-D-016	2
	Bloc de comp	JT220004A3	1
		JT203503A3	1
	Ressort air	JT460004A3	2
		JT480002A3	1
	Kick valve	JT170003A3	1
	Tampon	JT100007A3	1
	Joint témoin	JT260002B5	1

Pour votre amortisseur VOID il est recommandé d'utiliser de l'huile BOS AMX3 spécialement développée par BOS Suspension.

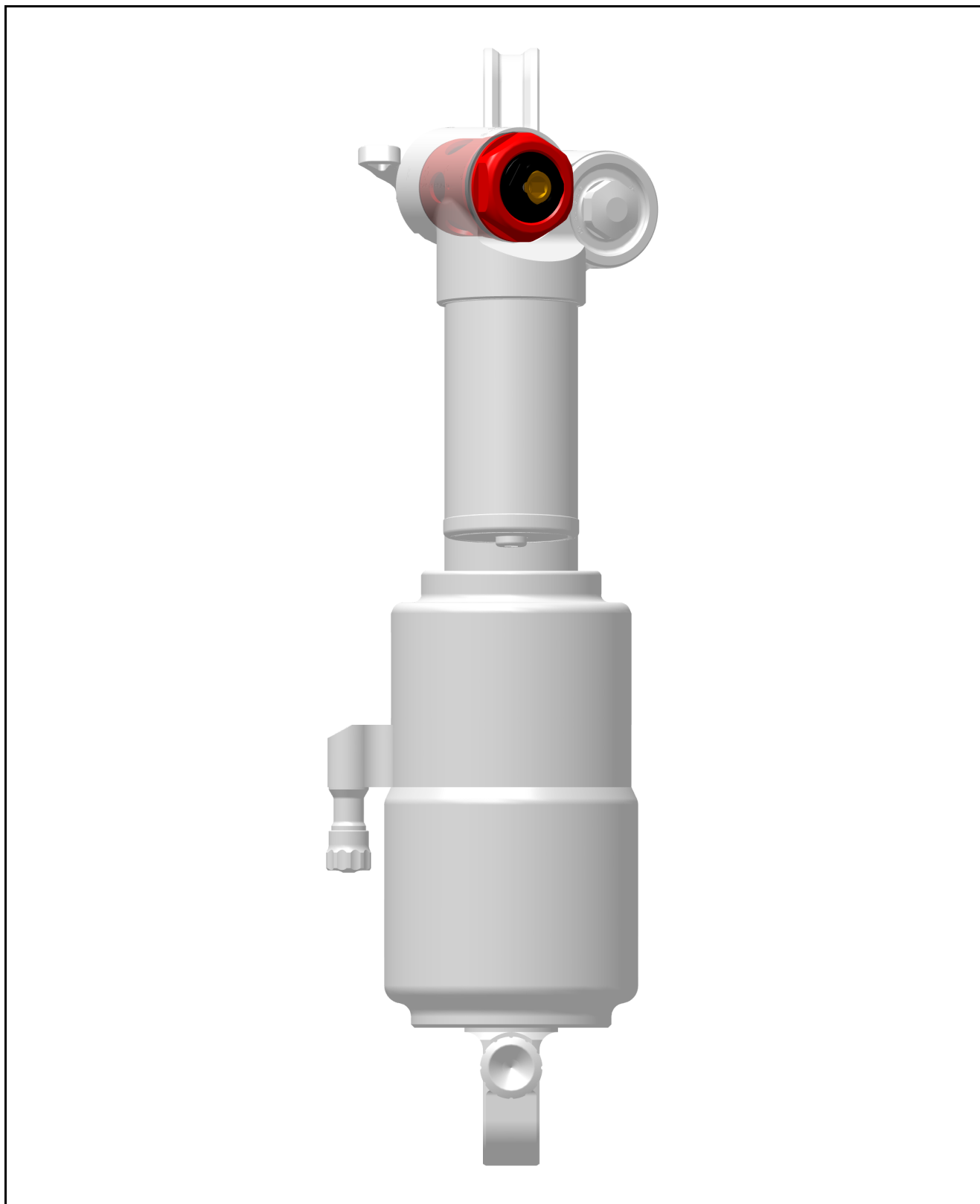
SE N°1 : 001-SE-059 TETE DH



NOMENCLATURE

REP	NAME	TYPE	REF	IND	QTY
1	TETE	PART	152017-D-059	-	1
2	JOINT TORIQUE 22X2 NBR	PART	JT220004A3	-	1
3	VIS FHC M3X6 INOX	PART	VVFHC0306A0	-	1
4	ANEAU SMALLEY DNH-13 INOX	PART	CTF13A	-	1
5	JOINT TORIQUE 29X1.5	PART	JT290002A3	-	1
6	JOINT TORIQUE 30X1.5	PART	JT300002A3	-	1

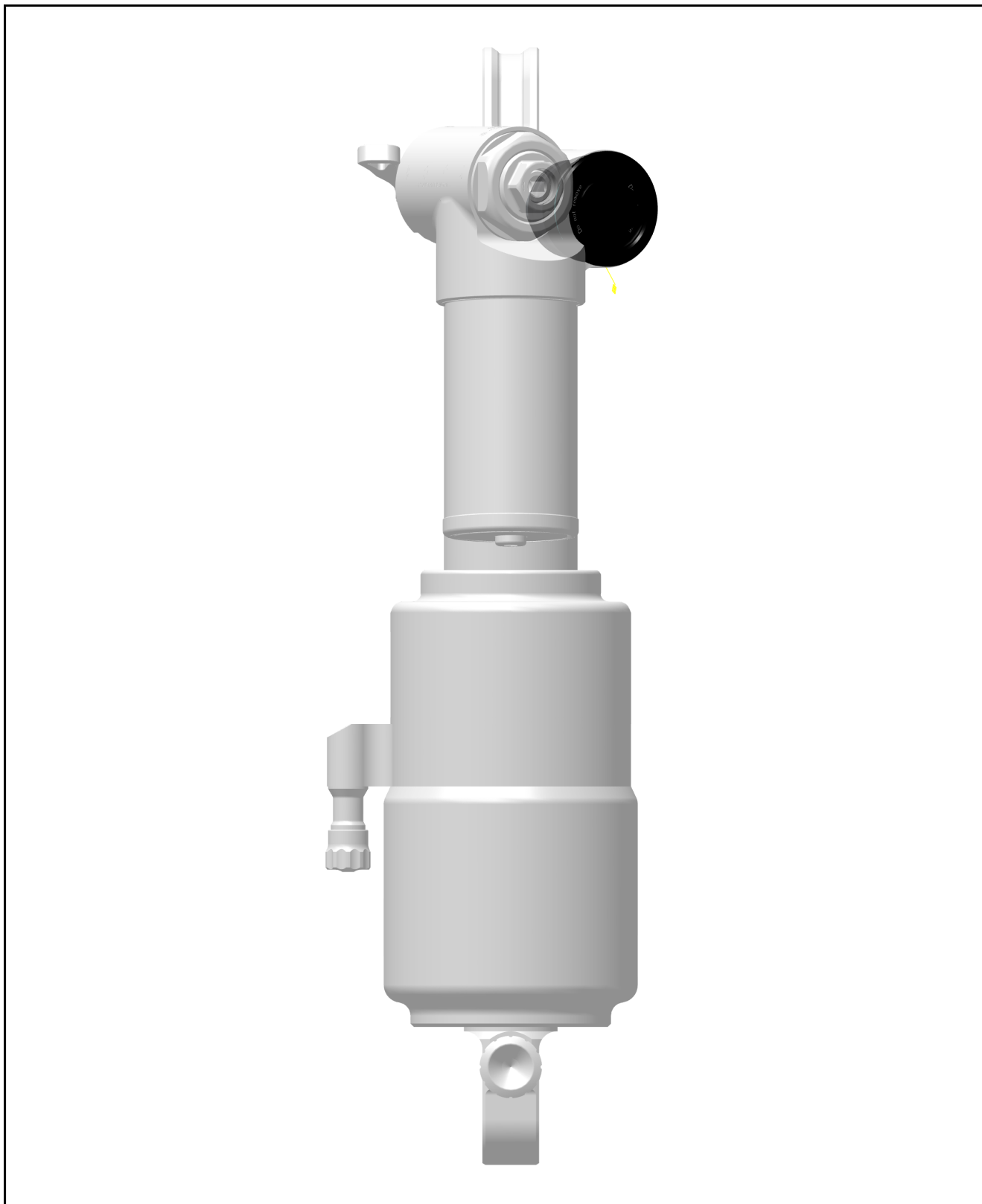
SE N°2 : 002-SE-019- BLOC COMPRESSION



NOMENCLATURE

REP	NAME	TYPE	REF	IND	QTY
1	BOUCHON BLOC COMP	PART	152017-D-007	A	1
2	ECROU REGLAGE HV	PART	152017-D-006	A	1
3	RESSORT REGLAGE HV	PART	152017-D-005	-	1
4	POINTEAU BV	PART	152017-D-009	-	1
5	JOINT TORIQUE 3X1.5 NBR 70	PART	JT030002A3	-	1
6	JOINT TORIQUE 5X1.5 NBR 70	PART	JT050002A3	-	1
7	JOINT TORIQUE 15.6X1.78 NBR 70	PART	JT156003A3	-	1
8	JOINT TORIQUE 20,35X1,78 NBR 70	PART	JT203503A3	-	1
9	JONC 9X0.6	PART	091707-D-016	A	1
10	APPUI SOUPAPE	PART	152017-D-003	-	1
11	BILLE D2.5	PART	B25A	-	2
12	RESSORT INDEXATION	PART	RA3024040B	-	1
13	JONC BLOC COMPRESSION	PART	152017-D-008	-	1
14	JOINT TORIQUE 16X2	PART	JT160004A3	-	1
15	SOUPAPE	PART	152017-D-004	-	1
16	RESSORT INDEXATION	PART	RA3024040B	-	1

SE N°3 : 002-SE-020-BLOC KICK-VALVE



NOMENCLATURE

REP	NAME	TYPE	REF	IND	QTY
1	BOUCHON BLOC KICK-VALVE	PART	152017-D-002	A	1
2	TOP PLATE	PART	230104-D-040	B	1
3	PISTON KICK-VALVE	PART	152017-D-001	-	1
4	ECROU REAL	PART	152017-D-010	A	1
5	RESSORT REAL	PART	100100005	B	1
6	CLAPET 8X16X0.2	PART	CLAPD0816020	-	1
7	JOINT TORIQUE 17X1,78 NBR 70	PART	JT170003A3	-	1
8	JOINT TORIQUE 18X1.8	PART	JT180018A3	-	1

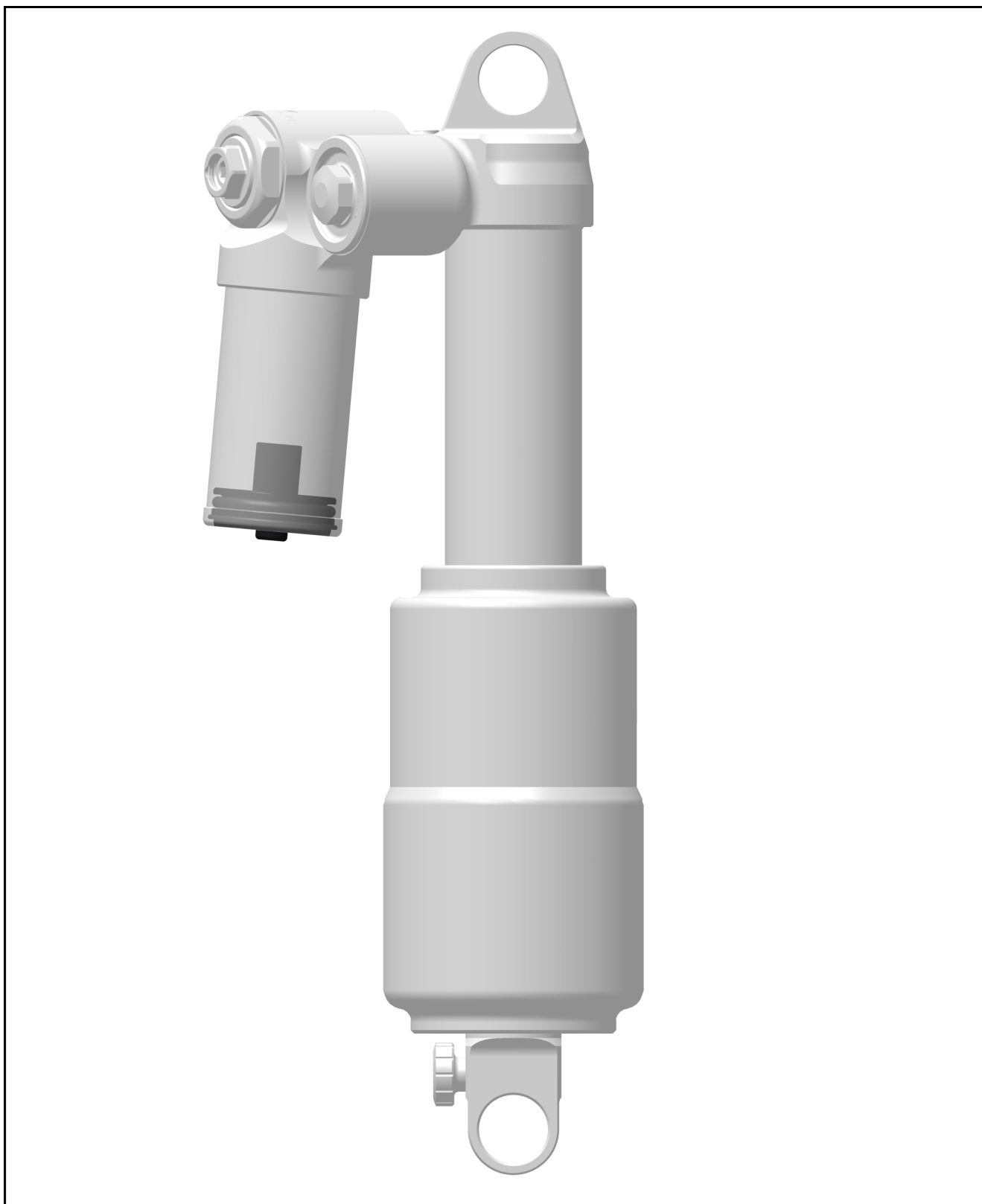
SE N°4 : 004-SE-014- PISTON DIVISEUR 27MM



NOMENCLATURE

REP	NAME	TYPE	REF	IND	QTY
1	PISTON FLOTTANT	PART	151008-D-038	A	1
2	JOINT TORIQUE 21.89X2.62	PART	JT218906A3	-	1
3	GUIDAGE PISTON	PART	150807-D-016	-	2

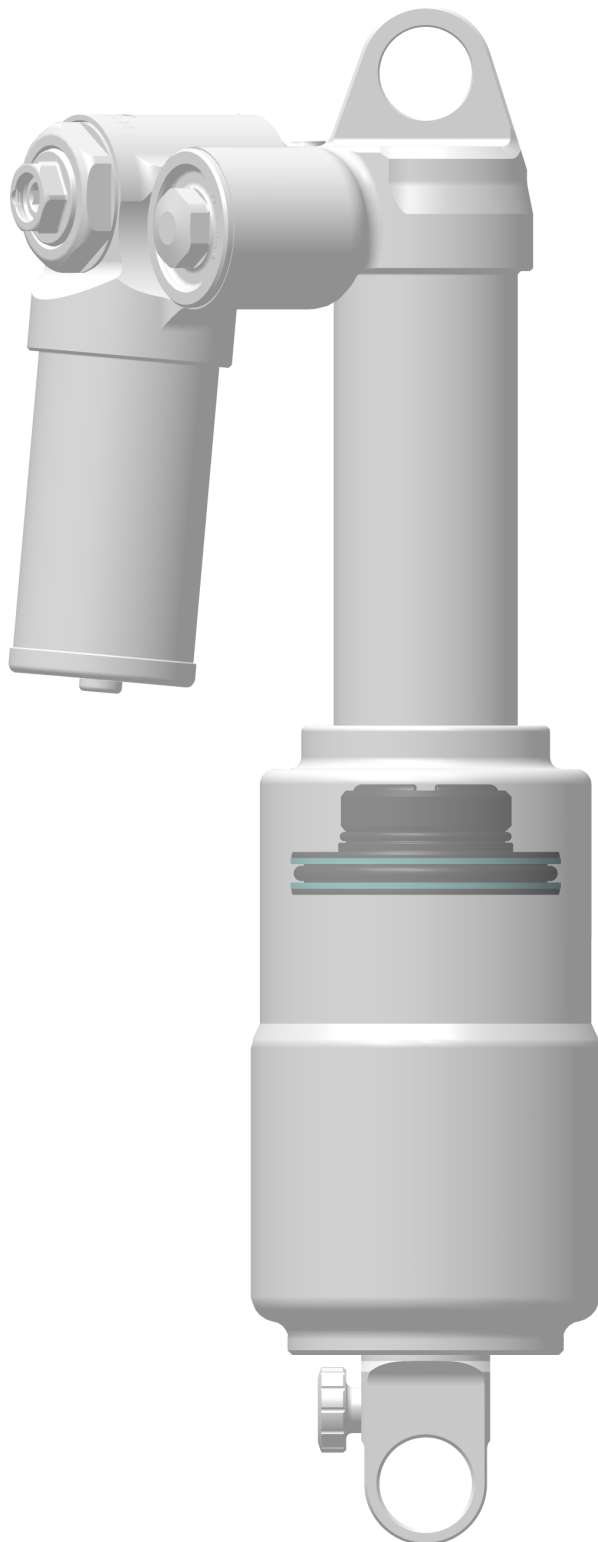
SE N°5 : 005-SE-006-BOUCON GONFLAGE 27MM



NOMENCLATURE

REP	NAME	TYPE	REF	IND	QTY
1	BOUCHON BOMBONNE NOIR	PART	150807D0072	D	1
2	VALVE GONFLAGE	PART	130402052	-	1
3	JOINT TORIQUE 21.89X2.62	PART	JT218906A3	-	1
4	JOINT TORIQUE 3X1.5 NBR 70	PART	JT030002A3	-	1
5	VIS CHC M4X6	PART	VVCHC0406A0	-	1
6	JONC BONBONNE	PART	150807-D-008	-	1

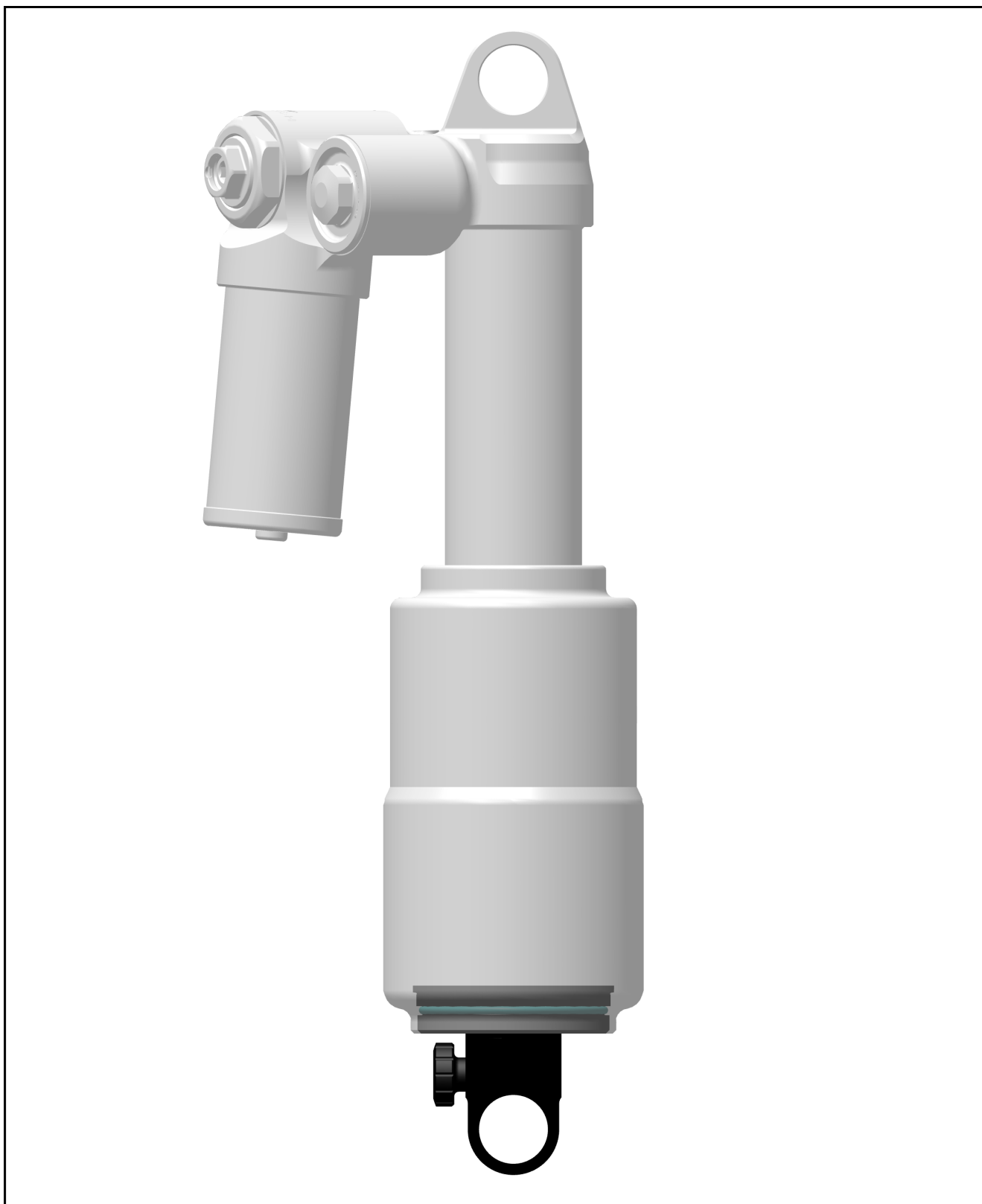
SE N°6 : 016-SE-036-GUIDETIGE AIR 27X12



NOMENCLATURE

REP	NAME	TYPE	REF	IND	QTY
1	GUIDE TIGE	PART	151008-D-014	A	1
2	BUTE DETENTE	PART	150807-D-005	B	1
3	JOINT TORIQUE 38X2.5	PART	JT380005A3	-	1
4	BAGUE ANTI-EXTRUSION	PART	BAE16212010E	-	1
5	JOINT TORIQUE 12.37X2.62 NBR 70	PART	JT123706A3	-	1
6	BAGUE ANTI EXTRUSION	PART	BAE44039810E	-	2
7	JOINT TORIQUE 25X1.5	PART	JT250002A3	-	1
8	PAP-1208-P10	PART	GT01A12A	-	1

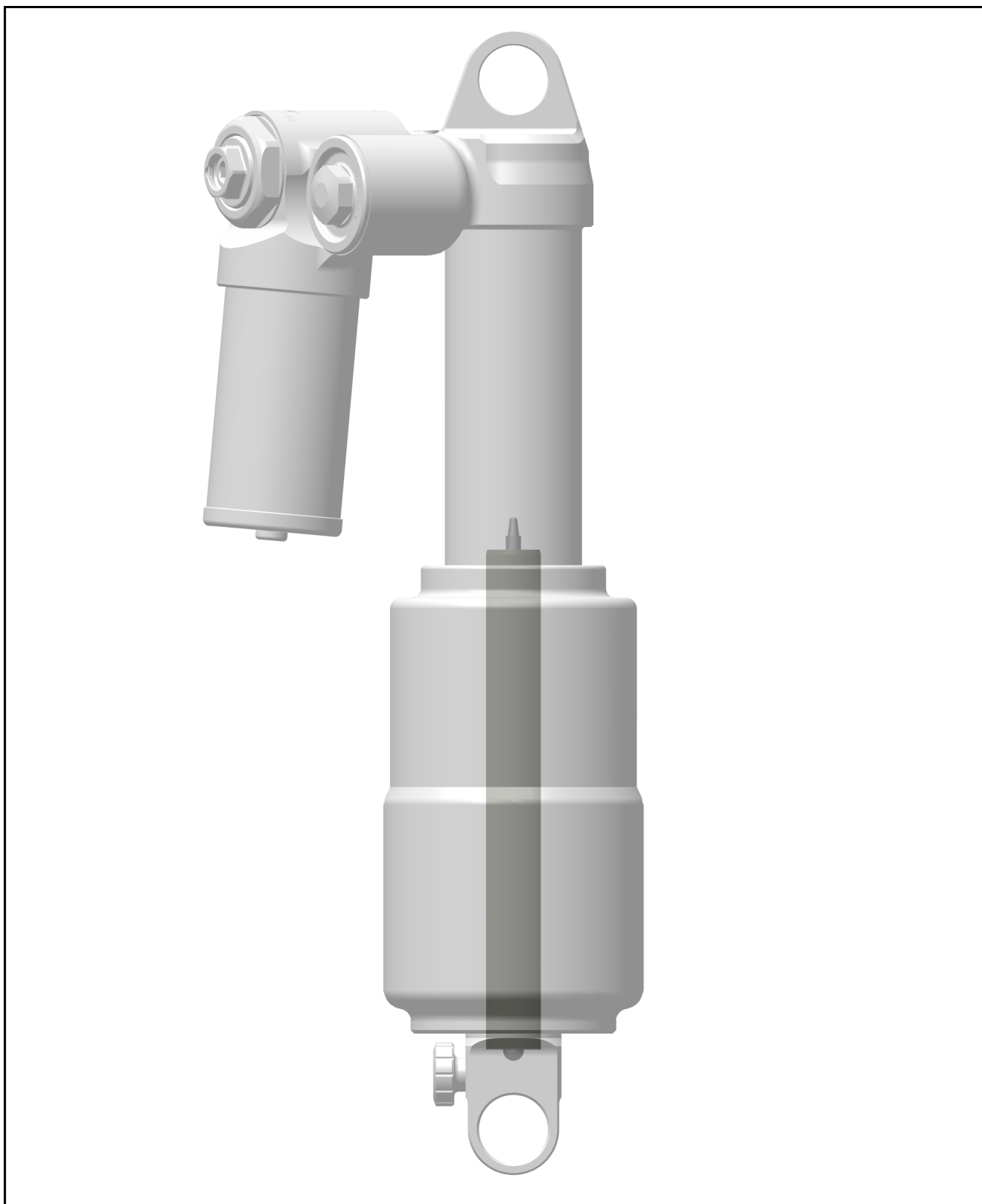
SE N°7 : 011-SE-030-PIED AIR 15X12.7



NOMENCLATURE

REP	NAME	TYPE	REF	IND	QTY
1	PIED AIR	PART	151008-D-019	A	1
2	JOINT TORIQUE 7X1.5 NBR 70	PART	JT070002A3	-	1
3	MOLETTE DETENTE	PART	150807-D-033	-	1
4	RESSORT INDEXATION	PART	RA4025045B	-	1
5	BILLE D2.5	PART	B25A	-	2
6	CLOISON PIED	PART	151008-D-012	B	1
7	JOINT TORIQUE 12X1.5 NBR 70	PART	JT120002A3	-	1
8	JOINT TORIQUE 37.82X1.78 NBR 70	PART	JT378203A3	-	1

SE N°8 : 015SE070/X TIGE



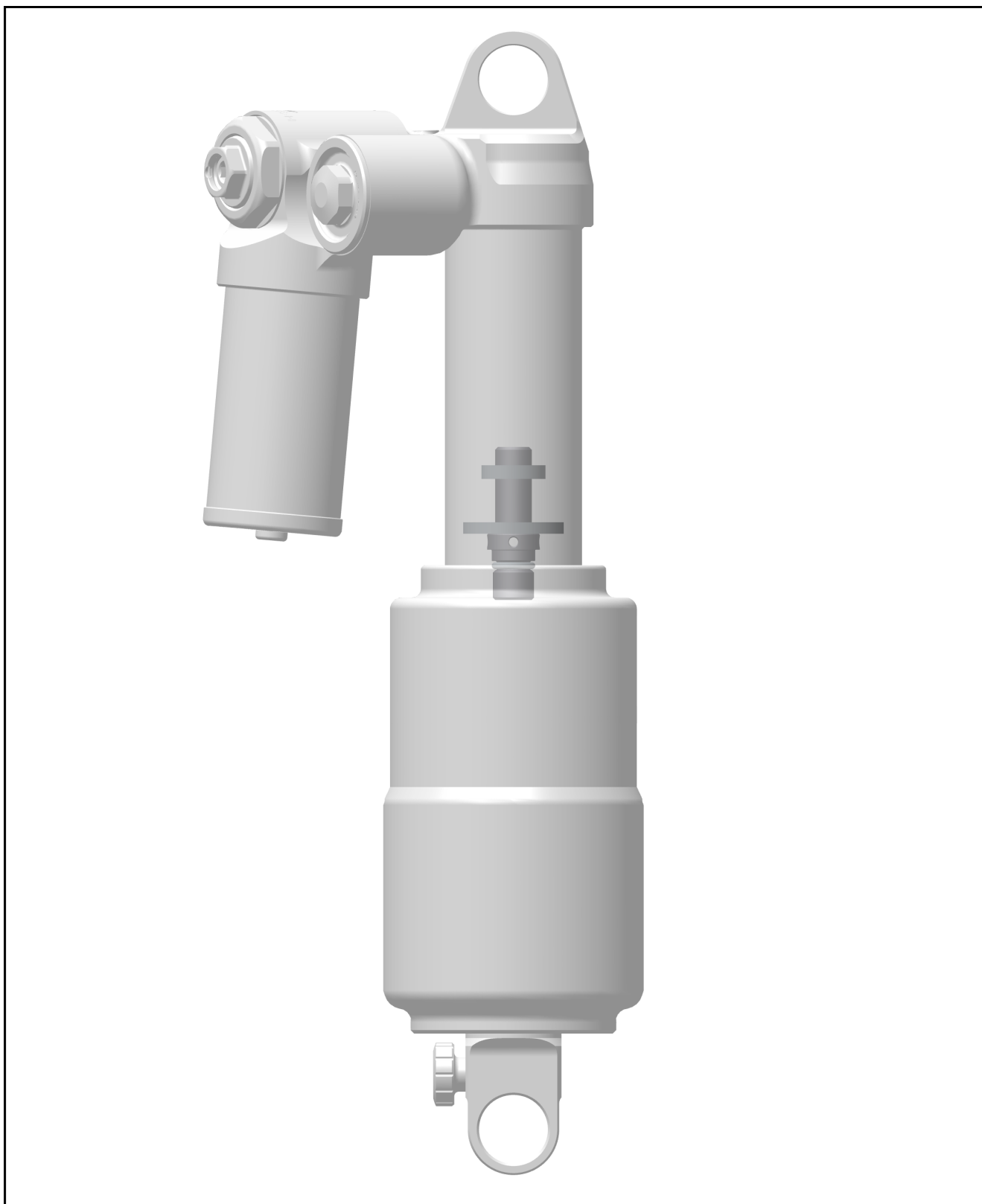
NOMENCLATURE**152017-E-303 et 152017-E-3031**

015SE070/109.5/124					
REP	NAME	TYPE	REF	IND	QTY
1	TIGE ALU 109.5MM	PART	TV03-109.5	A	1
2	POINTEAU 124 MTB	PART	152017D038/124	-	1
3	JOINT TORIQUE 2X1.5 VI	PART	JT020002A3	-	1

152017-E-205 et 152017-E-2051

015SE070/119.5/134					
REP	NAME	TYPE	REF	IND	QTY
1	TIGE ALU 119.5MM	PART	TV03-119.5	A	1
2	POINTEAU 134 MTB	PART	152017D038/134	-	1
3	JOINT TORIQUE 2X1.5 VI	PART	JT020002A3	-	1

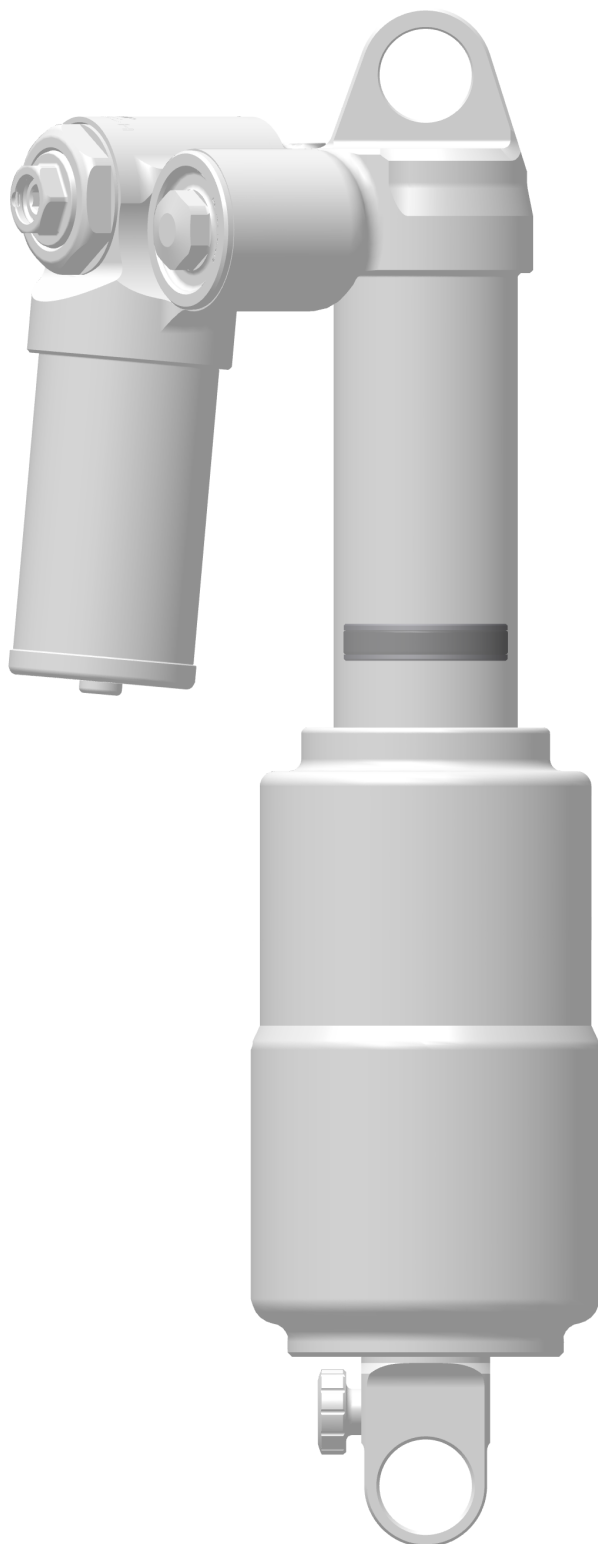
SE N°9 : 018-SE-018 PORTE PISTON



NOMENCLATURE

REP	NAME	TYPE	REF	IND	QTY
1	PORTE PISTON MTB	PART	150807-D-068	-	1
2	JOINT TORIQUE 6.5X1.5	PART	JT065002A3	-	1
3	TOP PLATE ACIER 22MM	PART	150406-D-008	A	1
4	RONDELLE CALAGE 8X14X1 ACIER	PART	VR081410C	-	3

SE N°10 : 020-SE-019-PISTON ALU



NOMENCLATURE

REP	NAME	TYPE	REF	IND	QTY
1	PISTON ALU	PART	152017-D-018	-	1
2	GUIDAGE PISTON	PART	150807-D-016	-	1
3	JOINT TORIQUE 23X1 NBR 70	PART	JT230001A3	-	1

SE N°11 : 047SE001-X MM



NOMENCLATURE

047SE001-65MM					
REP	NAME	TYPE	REF	IND	QTY
1	CHEMISE AIR 75.5MM	PART	151008D011/6	B	1
2	JONC CHEMISE	PART	151008-D-016	-	1
3	JOINT TORIQUE 46X2	PART	JT460004A3	-	2

047SE001-75MM					
REP	NAME	TYPE	REF	IND	QTY
1	CHEMISE AIR 85.5MM	PART	151008D011/4	B	1
2	JONC CHEMISE	PART	151008-D-016	-	1
3	JOINT TORIQUE 46X2	PART	JT460004A3	-	2

SE N°12 : 047-SE-002-COLLIER VALVE



NOMENCLATURE

REP	NAME	TYPE	REF	IND	QTY
1	BAGUE TOURNANTE	PART	151008-D-008	A	1
2	CORPS VALVE	PART	151310-D-006	C	1
3	JOINT TORIQUE 6X1 NBR70	PART	JT060001A3	-	1
4	OBUS SCHADER	PART	319400	-	1
5	BOUCHON VALVE	PART	151310-D-022	-	1
6	JOINT TORIQUE 6X1.5 NBR70	PART	JT060002A3	-	1

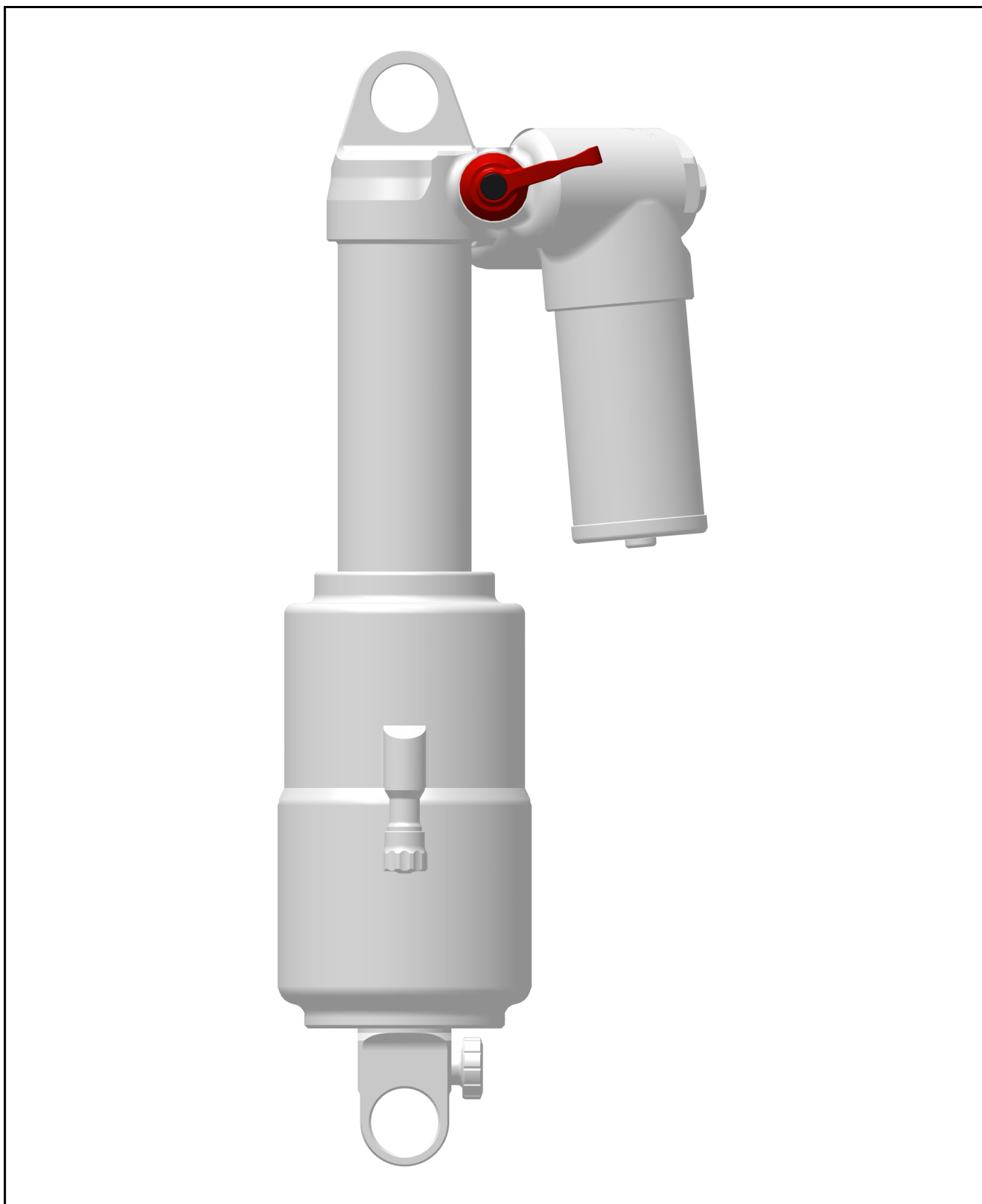
SE N°13 : 047-SE-003-CHAMBRE NEGATIVE



NOMENCLATURE

REP	NAME	TYPE	REF	IND	QTY
1	NEG AIR CHAMBER 3	PART	151008-D-040	-	1
2	GUIDE CHAMBRE	PART	151008-D-041	-	1
3	BAGUE ANTI-EXTRUSION PTFE 34X43.5X1	PART	BAE34530010E	-	1
4	SCRAPPER SEAL_HRDIC 30X38X5 AU	PART	JR03B300D	-	1
5	JOINT TORIQUE 29.82X2.62	PART	JT298206A3	-	1

SE N°14 : 034-SE-001/002 BOUCHON/BARILLET TETE



NOMENCLATURE

034-SE-001-BOUCHON TETE						
REP	NAME	TYPE	REF	IND	QTY	
1	BOUCHON BARILLET	PART	152017-D-016	-	1	
2	JOINT TORIQUE 7X1.5 NBR 70	PART	JT070002A3	-	1	
3	JOINT TORIQUE 9X1 NBR 70	PART	JT090001A3	-	1	
4	CACHE TETE	PART	152017-D-017	-	1	
5	VIS STHC M3X6 INOX	PART	VVSTHC0306A0	-	1	

034-SE-002-BARILLET						
REP	NAME	TYPE	REF	IND	QTY	
1	BARILLET	PART	152017-D-014	-	1	
2	JOINT TORIQUE 9X1 NBR 70	PART	JT090001A3	-	1	
3	JOINT TORIQUE 6X1.5 NBR70	PART	JT060002A3	-	1	
4	JOINT TORIQUE 7X1.5 NBR 70	PART	JT070002A3	-	1	
5	LEVIER	PART	152017-D-015	-	1	
6	VIS FHC M3X12 INOX	PART	VVFHC0312A0	-	1	
7	CLAPET 8X12X0.1	PART	CLAPD0812010	-	1	

www.bos-suspension.com



4, Impasse Léonce Couture – F31200 TOULOUSE

/ +33(0)5 34 25 33 66

sales@bos-suspension.com

Notice Pièces De Rechange VOID3 Trunnion



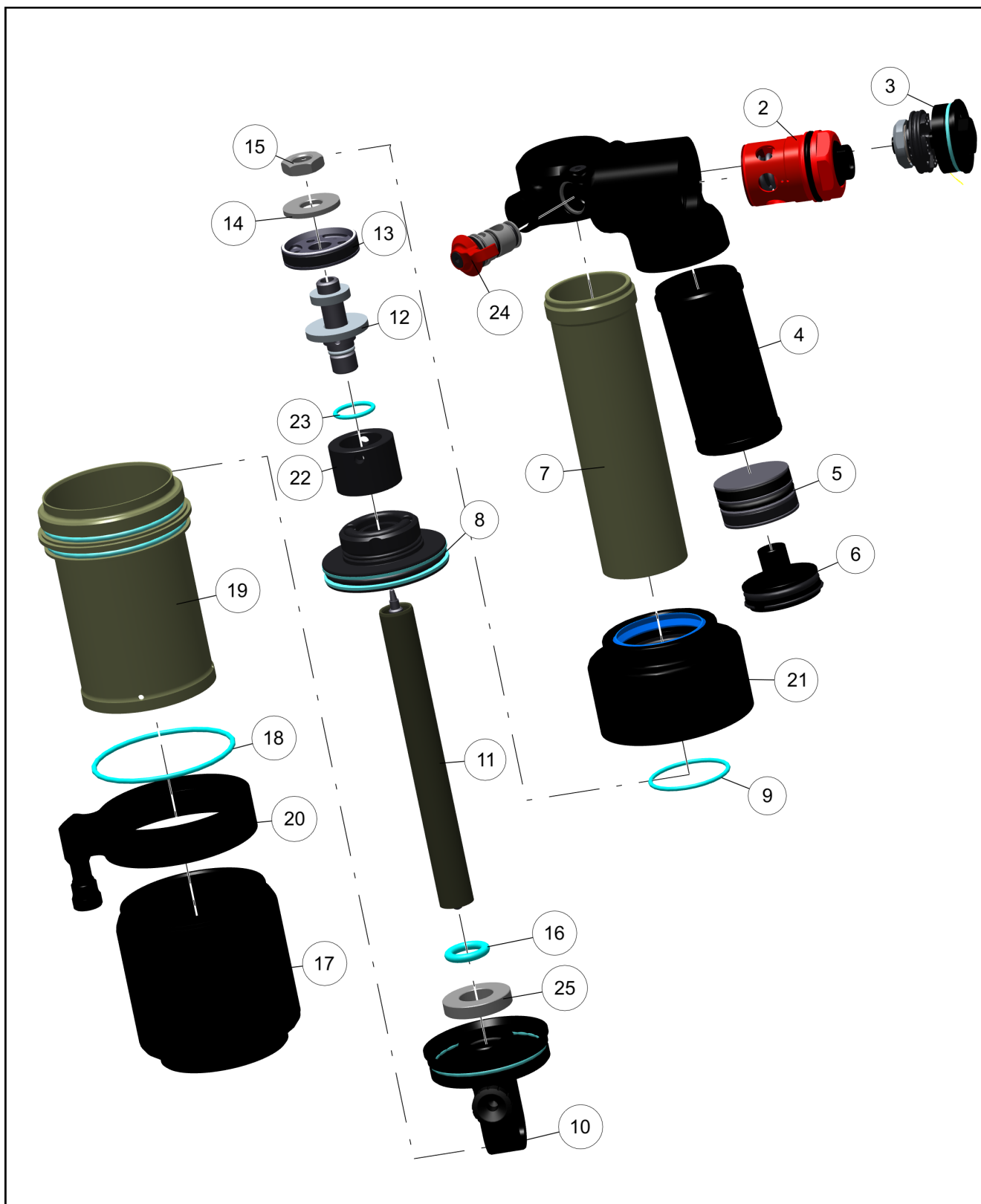
BOS Suspension

4 Impasse Léonce Couture
ZA du Mont Blanc
31200 Toulouse - FRANCE



NC_VOID3

ECLATÉ DU PRODUIT



NOMENCLATURE

152017-E-215-VOID3-225X75-TRUNNION					
REP	NAME	TYPE	REF	IND	QTY
1	TETE TRUNION	ASSEMBLY	001-SE-060	-	1
2	BLOC COMPRESSION	ASSEMBLY	002-SE-019	-	1
3	BLOC KICK-VALVE	ASSEMBLY	002-SE-020	-	1
4	BONBONNE 60MM	PART	152017-D-031	-	1
5	PISTON DIVISEUR 27MM DOUBLE GUIDAGE	ASSEMBLY	004-SE-014	-	1
6	BOUCHON GONFLAGE 27MM	ASSEMBLY	005-SE-006	-	1
7	CYLINDRE LISSE 113MM	PART	151008D013/12	---	1
8	GUIDE TIGE AIR 27X12	ASSEMBLY	016-SE-036	-	1
9	JOINT TORIQUE 26X1.5	PART	JT260002B5	-	1
10	PIED AIR 15X12.7	ASSEMBLY	011-SE-030	-	1
11	TIGE	ASSEMBLY	015SE070/119,5/134	-	1
12	PORTE PISTON	ASSEMBLY	018-SE-018	-	1
13	PISTON ALU	ASSEMBLY	020-SE-019	-	1
14	TOP PLATE ACIER 20MM	PART	150005-D-012	B	1
15	ECROU BAS M8X1 INOX	PART	VEHM08A1	-	1
16	JOINT TORIQUE 10X3	PART	JT100007A3	-	1
17	CHAMBRE AIR "MED VOL" 75MM	PART	151008D036/4	-	1
18	JOINT TORIQUE 47.35X1.78	PART	JT480002A3	-	1
19	CHEMISE AIR 75MM	ASSEMBLY	047SE001-75	-	1
20	COLLIER VALVE	ASSEMBLY	047-SE-002	-	1
21	CHAMBRE NEGATIVE	ASSEMBLY	047-SE-003	-	1
22	CALE DETENTE	PART	152017-D-033	-	1
23	JOINT TORIQUE 12X1.5 NBR 70	PART	JT120002A3	.	1
24	BOUCHON TETE	ASSEMBLY	034-SE-001	-	1
25	CLAPET 12X24X0.3	PART	CLAPD1224030	.	1

152017-E-313-VOID3-205X65-TRUNNION					
REP	NAME	TYPE	REF	IND	QTY
1	TETE TRUNION	ASSEMBLY	001-SE-060	-	1
2	BLOC COMPRESSION	ASSEMBLY	002-SE-019	-	1
3	BLOC KICK-VALVE	ASSEMBLY	002-SE-020	-	1
4	BONBONNE 60MM	PART	152017-D-031	-	1
5	PISTON DIVISEUR 27MM DOUBLE GUIDAGE	ASSEMBLY	004-SE-014	-	1
6	BOUCHON GONFLAGE 27MM	ASSEMBLY	005-SE-006	-	1
7	CYLINDRE LISSE 103MM	PART	151008D013/11	---	1
8	GUIDE TIGE AIR 27X12	ASSEMBLY	016-SE-036	-	1
9	JOINT TORIQUE 26X1.5	PART	JT260002B5	-	1
10	PIED AIR 15X12.7	ASSEMBLY	011-SE-030	-	1
11	TIGE	ASSEMBLY	015SE070/109,5/124	-	1
12	PORTE PISTON	ASSEMBLY	018-SE-018	-	1
13	PISTON ALU	ASSEMBLY	020-SE-019	-	1
14	TOP PLATE ACIER 20MM	PART	150005-D-012	B	1
15	ECROU BAS M8X1 INOX	PART	VEHM08A1	-	1
16	JOINT TORIQUE 10X3	PART	JT100007A3	-	1
17	CHAMBRE AIR "MED VOL" 65MM	PART	151008D036/6	-	1
18	JOINT TORIQUE 47.35X1.78	PART	JT480002A3	-	1
19	CHEMISE AIR 65MM	ASSEMBLY	047SE001-65	-	1
20	COLLIER VALVE	ASSEMBLY	047-SE-002	-	1
21	CHAMBRE NEGATIVE	ASSEMBLY	047-SE-003	-	1
22	CALE DETENTE	PART	152017-D-033	-	1
23	JOINT TORIQUE 12X1.5 NBR 70	PART	JT120002A3	.	1
24	BARILLET TETE SYORS	ASSEMBLY	034-SE-002	-	1
25	CLAPET 12X24X0.3	PART	CLAPD1224030	.	1

NOMENCLATURE

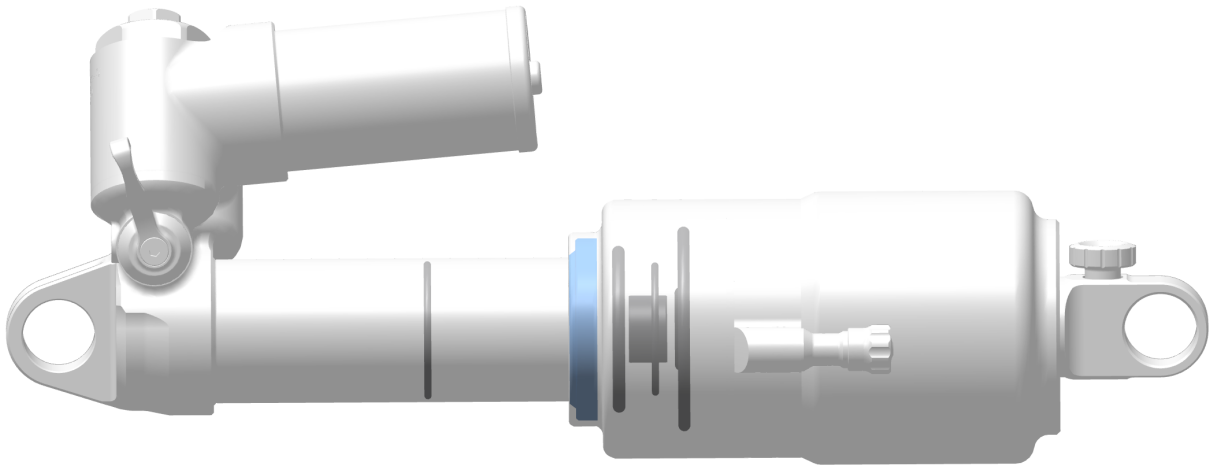
152017-E-2151-VOID3-250X70-TRUNNION					
REP	NAME	TYPE	REF	IND	QTY
1	TETE TRUNION	ASSEMBLY	001-SE-060	-	1
2	BLOC COMPRESSION	ASSEMBLY	002-SE-019	-	1
3	BLOC KICK-VALVE	ASSEMBLY	002-SE-020	-	1
4	BONBONNE 60MM	PART	152017-D-031	-	1
5	PISTON DIVISEUR 27MM DOUBLE GUIDAGE	ASSEMBLY	004-SE-014	-	1
6	BOUCHON GONFLAGE 27MM	ASSEMBLY	005-SE-006	-	1
7	CYLINDRE LISSE 113MM	PART	151008D013/12	---	1
8	GUIDE TIGE AIR 27X12	ASSEMBLY	016-SE-036	-	1
9	JOINT TORIQUE 26X1.5	PART	JT260002B5	-	1
10	PIED AIR 15X12.7	ASSEMBLY	011-SE-030	-	1
11	TIGE	ASSEMBLY	015SE070/119,5/134	-	1
12	PORTE PISTON	ASSEMBLY	018-SE-018	-	1
13	PISTON ALU	ASSEMBLY	020-SE-019	-	1
14	TOP PLATE ACIER 20MM	PART	150005-D-012	B	1
15	ECROU BAS M8X1 INOX	PART	VEHM08A1	-	1
16	JOINT TORIQUE 10X3	PART	JT100007A3	-	1
17	CHAMBRE AIR "MED VOL" 75MM	PART	151008D036/4		1
18	JOINT TORIQUE 47.35X1.78	PART	JT480002A3	-	1
19	CHEMISE AIR 75MM	ASSEMBLY	047SE001-75	-	1
20	COLLIER VALVE	ASSEMBLY	047-SE-002	-	1
21	CHAMBRE NEGATIVE	ASSEMBLY	047-SE-003	-	1
22	CALE DETENTE	PART	152017-D-033	-	1
23	JOINT TORIQUE 12X1.5 NBR 70	PART	JT120002A3	.	1
24	BOUCHON TETE	ASSEMBLY	034-SE-001	-	1
25	CALE COMP 5MM	PART	152017-D-034	-	1

NOMENCLATURE

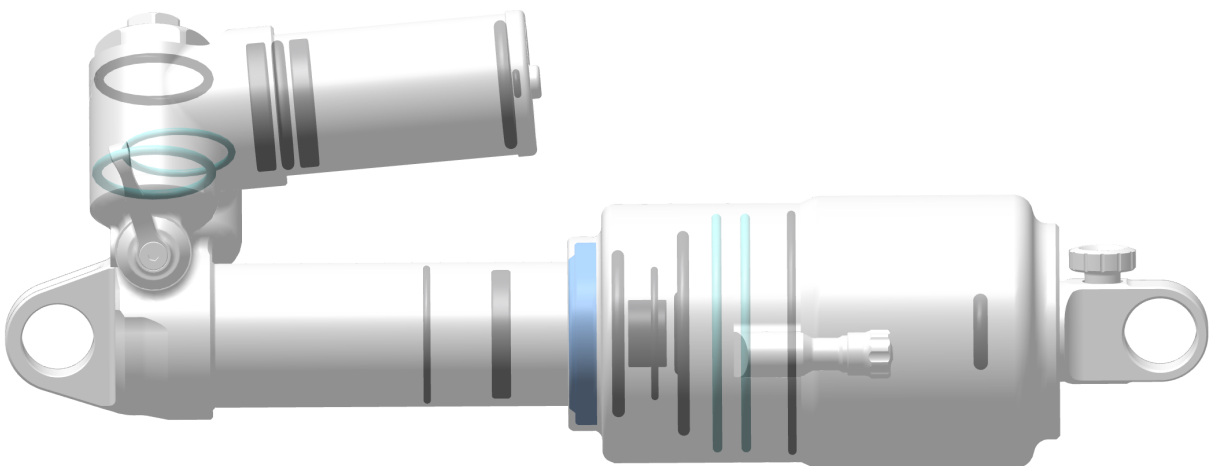
152017-E-3131-VOID3-205X60-TRUNNION					
REP	NAME	TYPE	REF	IND	QTY
1	TETE TRUNION	ASSEMBLY	001-SE-060	-	1
2	BLOC COMPRESSION	ASSEMBLY	002-SE-019	-	1
3	BLOC KICK-VALVE	ASSEMBLY	002-SE-020	-	1
4	BONBONNE 60MM	PART	152017-D-031	-	1
5	PISTON DIVISEUR 27MM DOUBLE GUIDAGE	ASSEMBLY	004-SE-014	-	1
6	BOUCHON GONFLAGE 27MM	ASSEMBLY	005-SE-006	-	1
7	CYLINDRE LISSE 103MM	PART	151008D013/11	---	1
8	GUIDE TIGE AIR 27X12	ASSEMBLY	016-SE-036	-	1
9	JOINT TORIQUE 26X1.5	PART	JT260002B5	-	1
10	PIED AIR 15X12.7	ASSEMBLY	011-SE-030	-	1
11	TIGE	ASSEMBLY	015SE070/109,5/124	-	1
12	PORTE PISTON	ASSEMBLY	018-SE-018	-	1
13	PISTON ALU	ASSEMBLY	020-SE-019	-	1
14	TOP PLATE ACIER 20MM	PART	150005-D-012	B	1
15	ECROU BAS M8X1 INOX	PART	VEHM08A1	-	1
16	JOINT TORIQUE 10X3	PART	JT100007A3	-	1
17	CHAMBRE AIR "MED VOL" 65MM	PART	151008D036/6		1
18	JOINT TORIQUE 47.35X1.78	PART	JT480002A3	-	1
19	CHEMISE AIR 65MM	ASSEMBLY	047SE001-65	-	1
20	COLLIER VALVE	ASSEMBLY	047-SE-002	-	1
21	CHAMBRE NEGATIVE	ASSEMBLY	047-SE-003	-	1
22	CALE DETENTE	PART	152017-D-033	-	1
23	JOINT TORIQUE 12X1.5 NBR 70	PART	JT120002A3	.	1
24	BARILLET TETE	ASSEMBLY	034-SE-002	-	1
25	CALE COMP 5MM	PART	152017-D-034	-	1

KIT REVISION

KIT REVISION LIGHT



KIT REVISION COMPLET



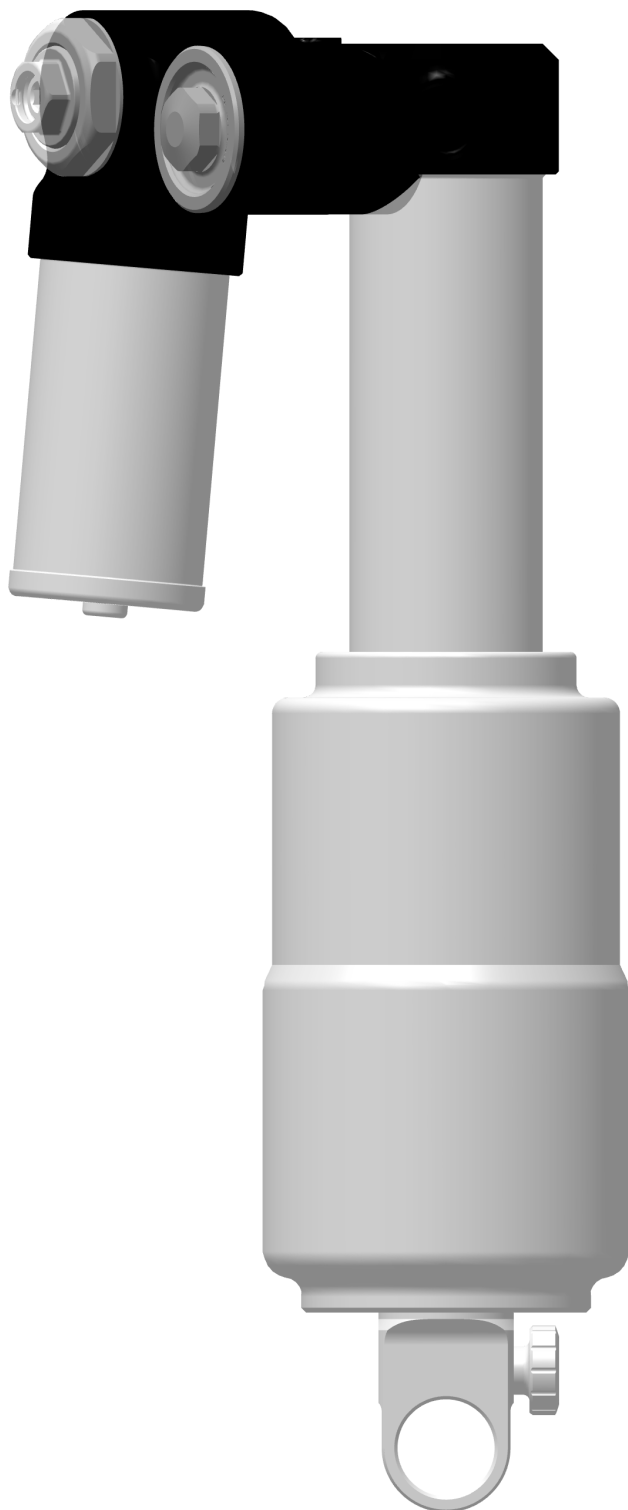
NOMENCLATURE

KREVL-VOID3	SE	Reference	Quantité
Kit révision light	Chambre NEG	JT298206A3	1
		JR03B300D	1
	GT	JT250002A3	1
		JT123706A3	1
		JT380005A3	1
		GT01A12A	1
	Joint témoin	JT260002B5	1

KREVC-VOID3	SE	Reference	Quantité
Kit révision complet	Chambre NEG	JT298206A3	1
		JR03B300D	1
	GT	JT250002A3	1
		JT123706A3	1
		JT380005A3	1
		GT01A12A	1
	Piston	150807-D-016	1
		JT230001A3	1
	Bombe	JT218906A3	2
		130402052	1
		JT030002A3	1
		150807-D-016	2
	Bloc de comp	JT220004A3	1
		JT203503A3	1
	Ressort air	JT460004A3	2
		JT480002A3	1
	Kick valve	JT170003A3	1
	Tampon	JT100007A3	1
	Joint témoin	JT260002B5	1

Pour votre amortisseur VOID, il est recommandé d'utiliser de l'huile BOS AMX3 spécialement développée par BOS Suspension.

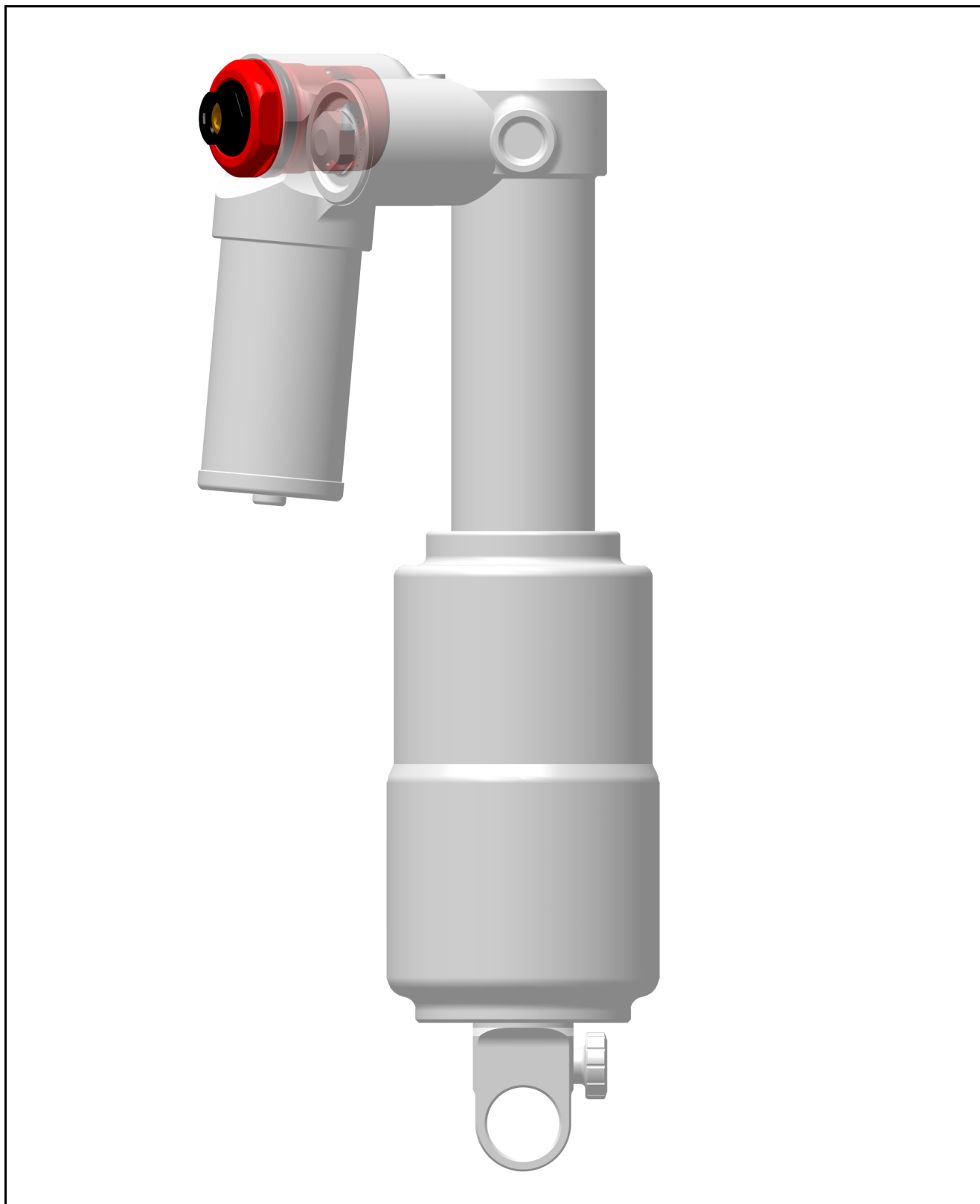
SE N°1 : 001-SE-060 TETE TRUNNION



NOMENCLATURE

REP	NAME	TYPE	REF	IND	QTY
1	TETE TRUNION	PART	152017-D-060	-	1
2	VIS FHC M3X6 INOX	PART	VVFHC0306A0	-	1
3	ANEAU SMALLEY DNH-13 INOX	PART	CTF13A	-	1
4	JOINT TORIQUE 30X1.5	PART	JT300002A3	-	1
5	JOINT TORIQUE 22X2 NBR	PART	JT220004A3	-	1
6	JOINT TORIQUE 29X1.5	PART	JT290002A3	-	1

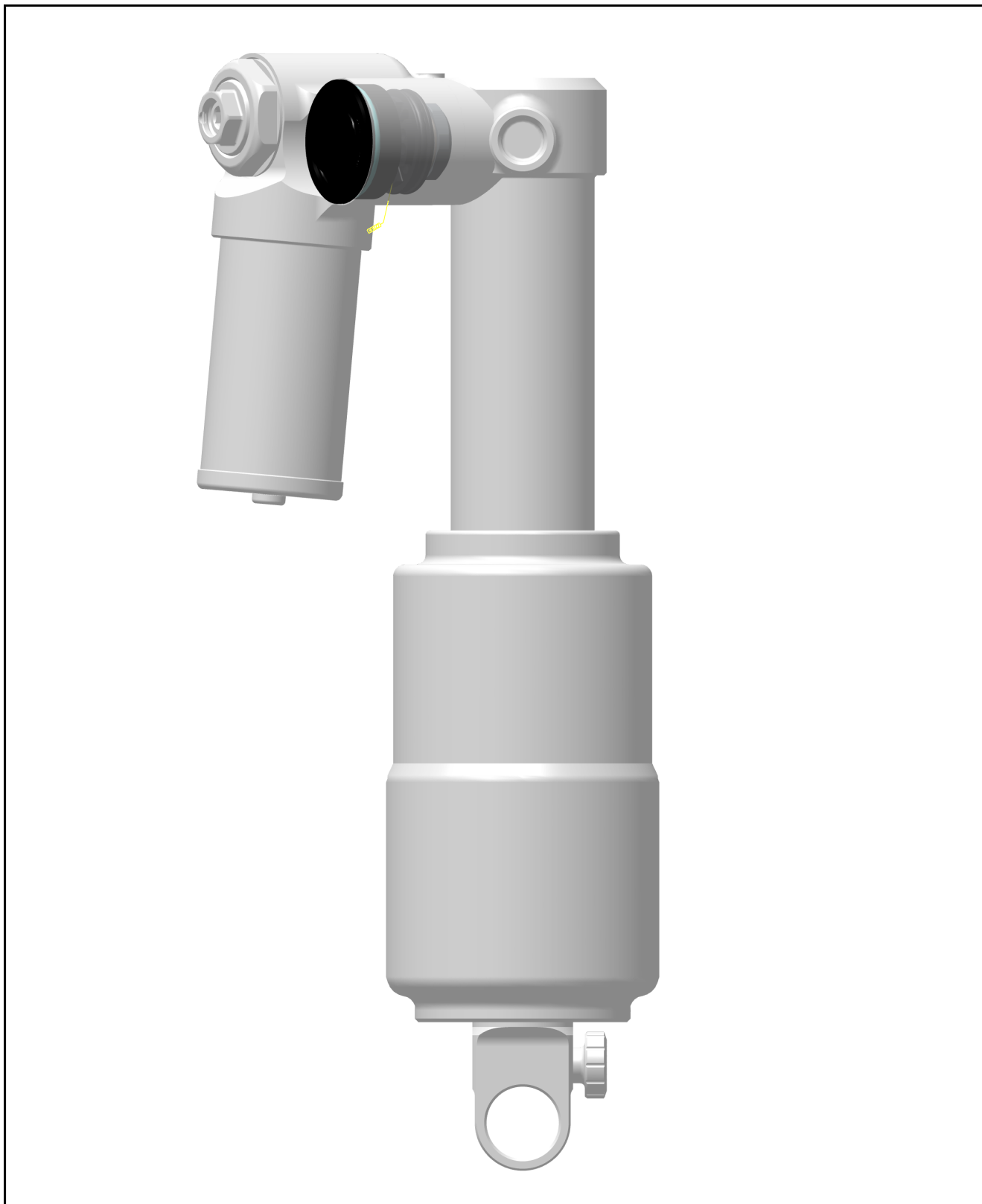
SE N°2 : 002-SE-019- BLOC COMPRESSION



NOMENCLATURE

REP	NAME	TYPE	REF	IND	QTY
1	BOUCHON BLOC COMP	PART	152017-D-007	A	1
2	ECROU REGLAGE HV	PART	152017-D-006	A	1
3	RESSORT REGLAGE HV	PART	152017-D-005	-	1
4	POINTEAU BV	PART	152017-D-009	-	1
5	JOINT TORIQUE 3X1.5 NBR 70	PART	JT030002A3	-	1
6	JOINT TORIQUE 5X1.5 NBR 70	PART	JT050002A3	-	1
7	JOINT TORIQUE 15.6X1.78 NBR 70	PART	JT156003A3	-	1
8	JOINT TORIQUE 20,35X1,78 NBR 70	PART	JT203503A3	-	1
9	JONC 9X0.6	PART	091707-D-016	A	1
10	APPUI SOUPAPE	PART	152017-D-003	-	1
11	BILLE D2.5	PART	B25A	-	2
12	RESSORT INDEXATION	PART	RA3024040B	-	1
13	JONC BLOC COMPRESSION	PART	152017-D-008	-	1
14	JOINT TORIQUE 16X2	PART	JT160004A3	-	1
15	SOUPAPE	PART	152017-D-004	-	1
16	RESSORT INDEXATION	PART	RA3024040B	-	1

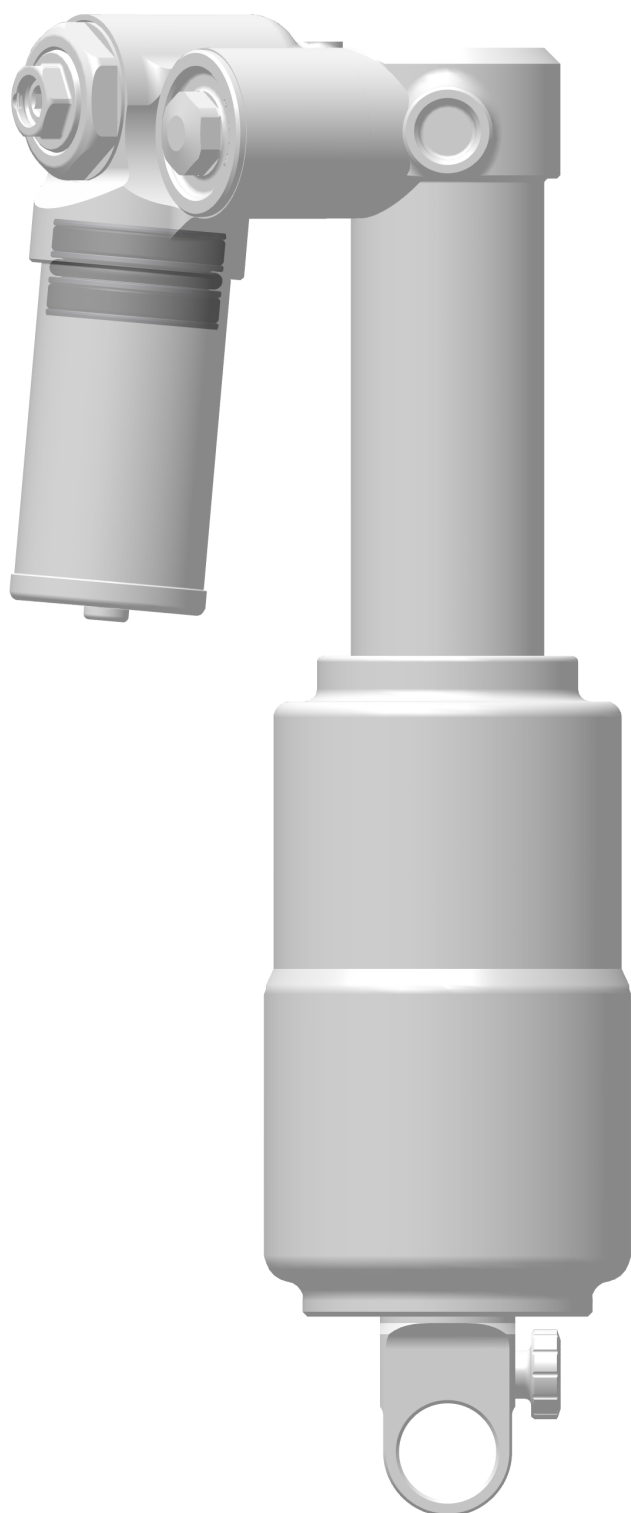
SE N°3 : 002-SE-020-BLOC KICK-VALVE



NOMENCLATURE

REP	NAME	TYPE	REF	IND	QTY
1	BOUCHON BLOC KICK-VALVE	PART	152017-D-002	A	1
2	TOP PLATE	PART	230104-D-040	B	1
3	PISTON KICK-VALVE	PART	152017-D-001	-	1
4	ECROU REAL	PART	152017-D-010	A	1
5	RESSORT REAL	PART	100100005	B	1
6	CLAPET 8X16X0.2	PART	CLAPD0816020	-	1
7	JOINT TORIQUE 17X1,78 NBR 70	PART	JT170003A3	-	1
8	JOINT TORIQUE 18X1.8	PART	JT180018A3	-	1

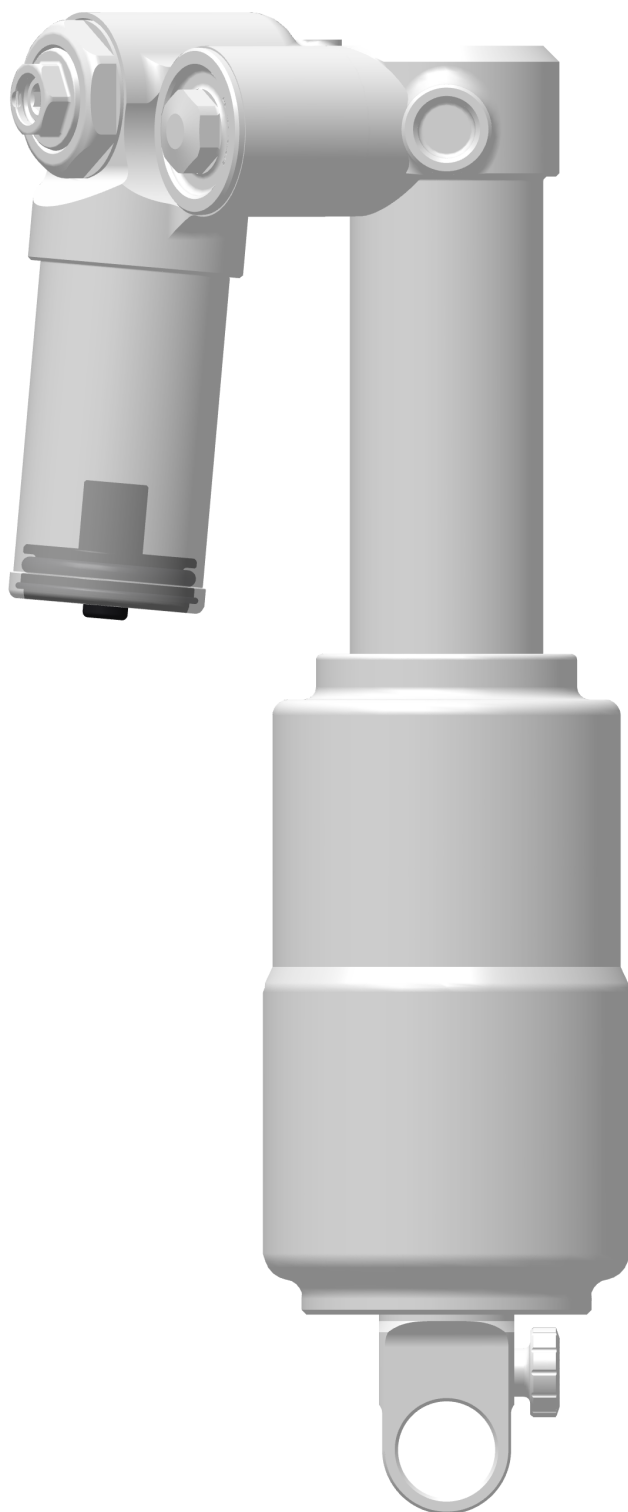
SE N°4 : 004-SE-014- PISTON DIVISEUR 27MM



NOMENCLATURE

REP	NAME	TYPE	REF	IND	QTY
1	PISTON FLOTTANT	PART	151008-D-038	A	1
2	JOINT TORIQUE 21.89X2.62	PART	JT218906A3	-	1
3	GUIDAGE PISTON	PART	150807-D-016	-	2

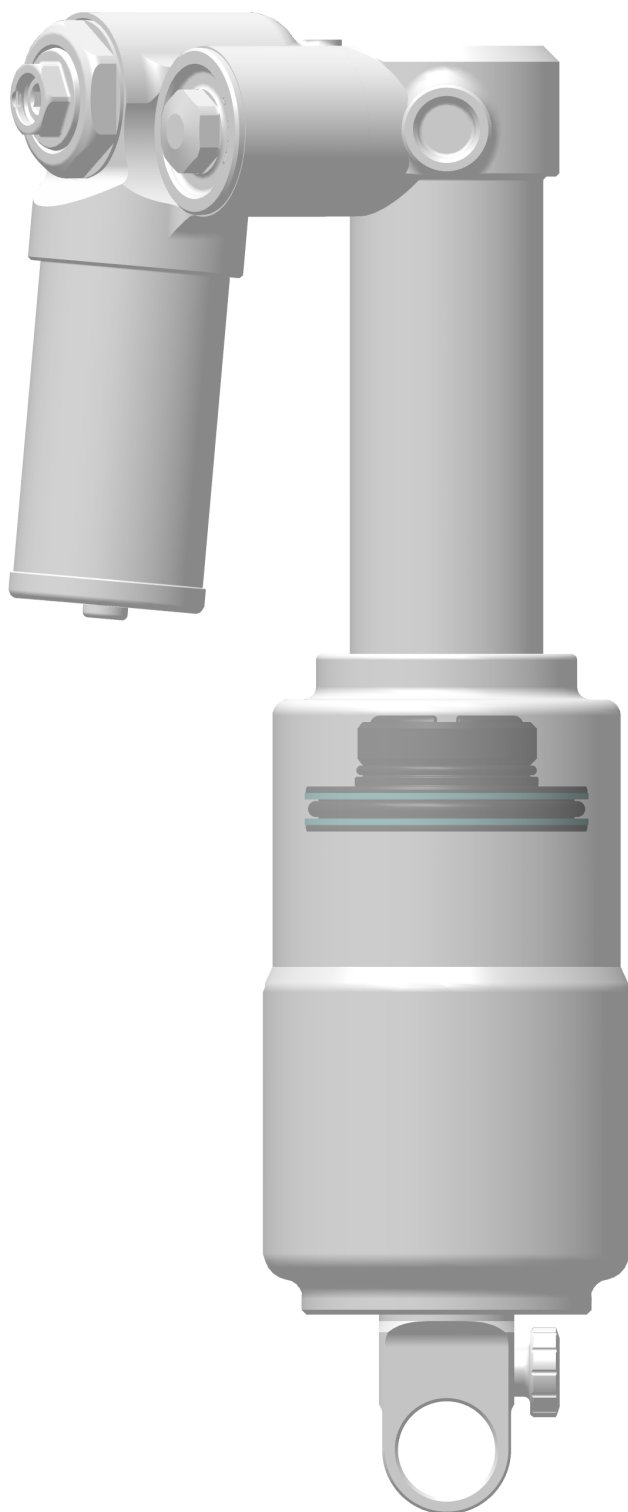
SE N°5 : 005-SE-006-BOUCON GONFLAGE 27MM



NOMENCLATURE

REP	NAME	TYPE	REF	IND	QTY
1	BOUCHON BOMBONNE NOIR	PART	150807D0072	D	1
2	VALVE GONFLAGE	PART	130402052	-	1
3	JOINT TORIQUE 21.89X2.62	PART	JT218906A3	-	1
4	JOINT TORIQUE 3X1.5 NBR 70	PART	JT030002A3	-	1
5	VIS CHC M4X6	PART	VVCHC0406A0	-	1
6	JONC BONBONNE	PART	150807-D-008	-	1

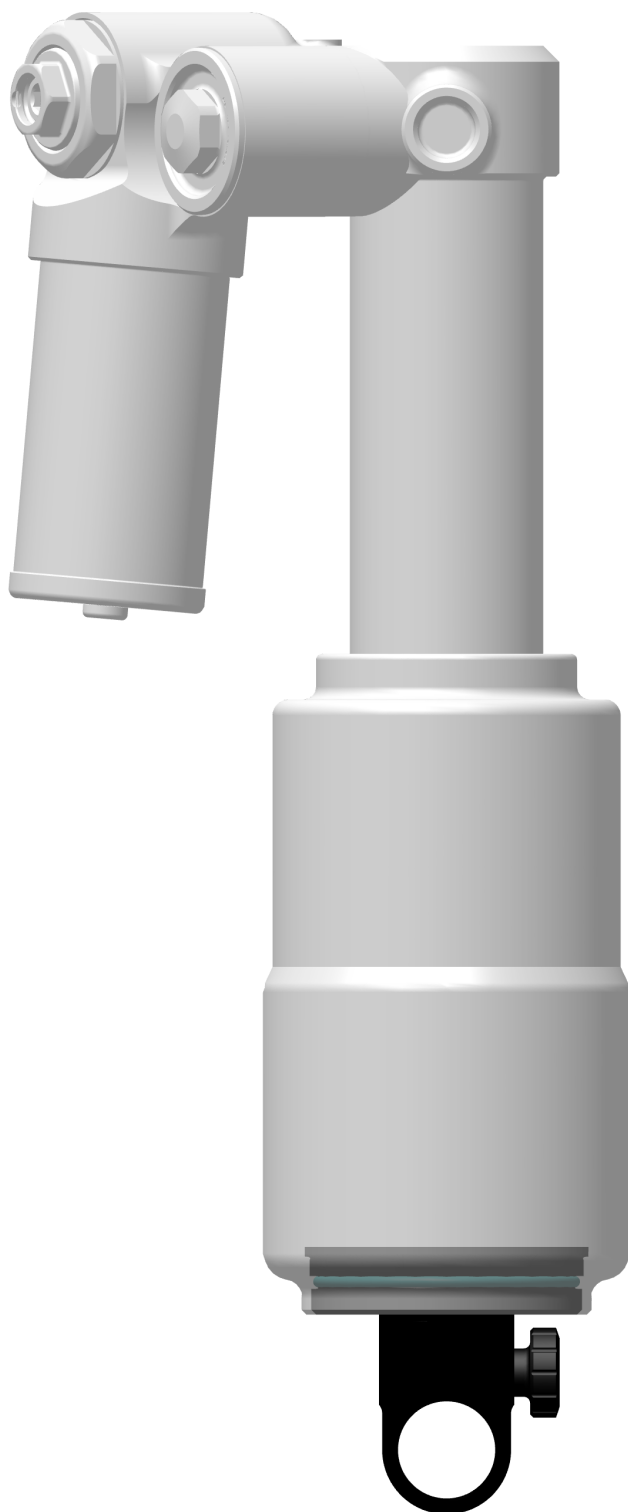
SE N°6 : 016-SE-036-GUIDETIGE AIR 27X12



NOMENCLATURE

REP	NAME	TYPE	REF	IND	QTY
1	GUIDE TIGE	PART	151008-D-014	A	1
2	BUTE DETENTE	PART	150807-D-005	B	1
3	JOINT TORIQUE 38X2.5	PART	JT380005A3	-	1
4	BAGUE ANTI-EXTRUSION	PART	BAE16212010E	-	1
5	JOINT TORIQUE 12.37X2.62 NBR 70	PART	JT123706A3	-	1
6	BAGUE ANTI EXTRUSION	PART	BAE44039810E	-	2
7	JOINT TORIQUE 25X1.5	PART	JT250002A3	-	1
8	PAP-1208-P10	PART	GT01A12A	-	1

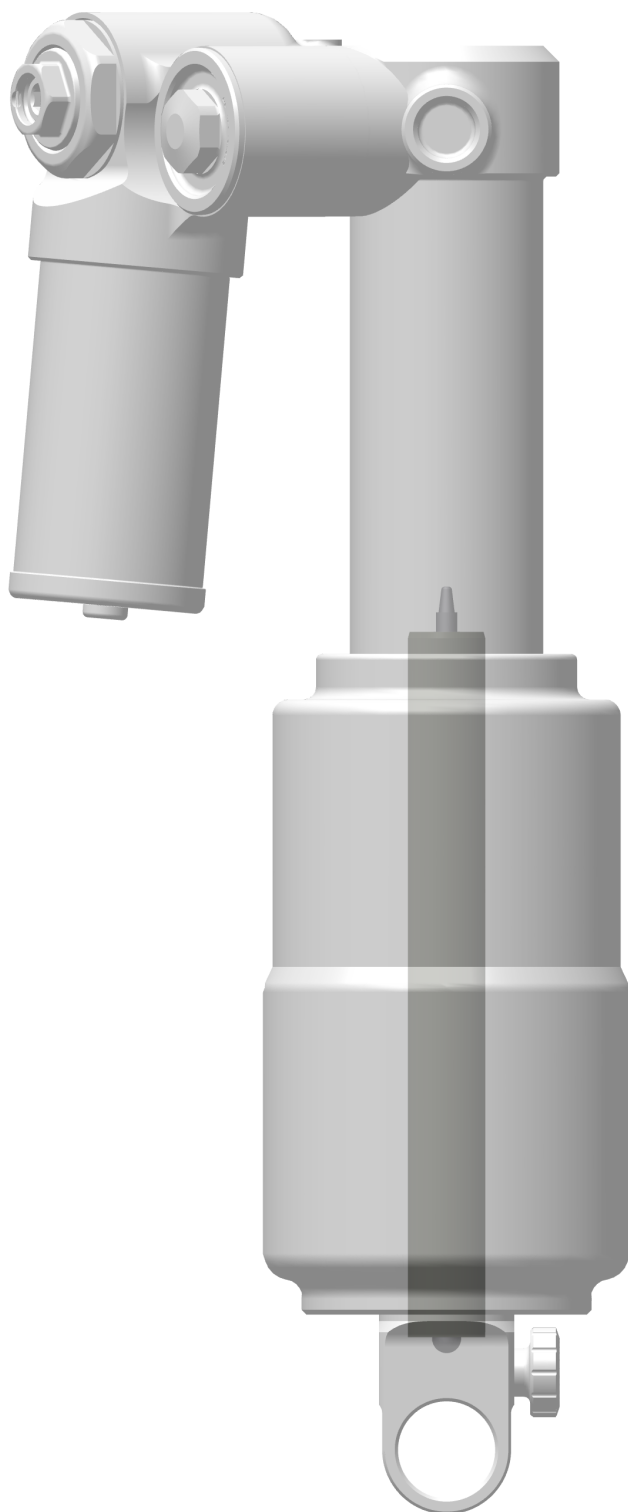
SE N°7 : 011-SE-030-PIED AIR 15X12.7



NOMENCLATURE

REP	NAME	TYPE	REF	IND	QTY
1	PIED AIR	PART	151008-D-019	A	1
2	JOINT TORIQUE 7X1.5 NBR 70	PART	JT070002A3	-	1
3	MOLETTE DETENTE	PART	150807-D-033	-	1
4	RESSORT INDEXATION	PART	RA4025045B	-	1
5	BILLE D2.5	PART	B25A	-	2
6	CLOISON PIED	PART	151008-D-012	B	1
7	JOINT TORIQUE 12X1.5 NBR 70	PART	JT120002A3	-	1
8	JOINT TORIQUE 37.82X1.78 NBR 70	PART	JT378203A3	-	1

SE N°8 : 015SE070/X TIGE



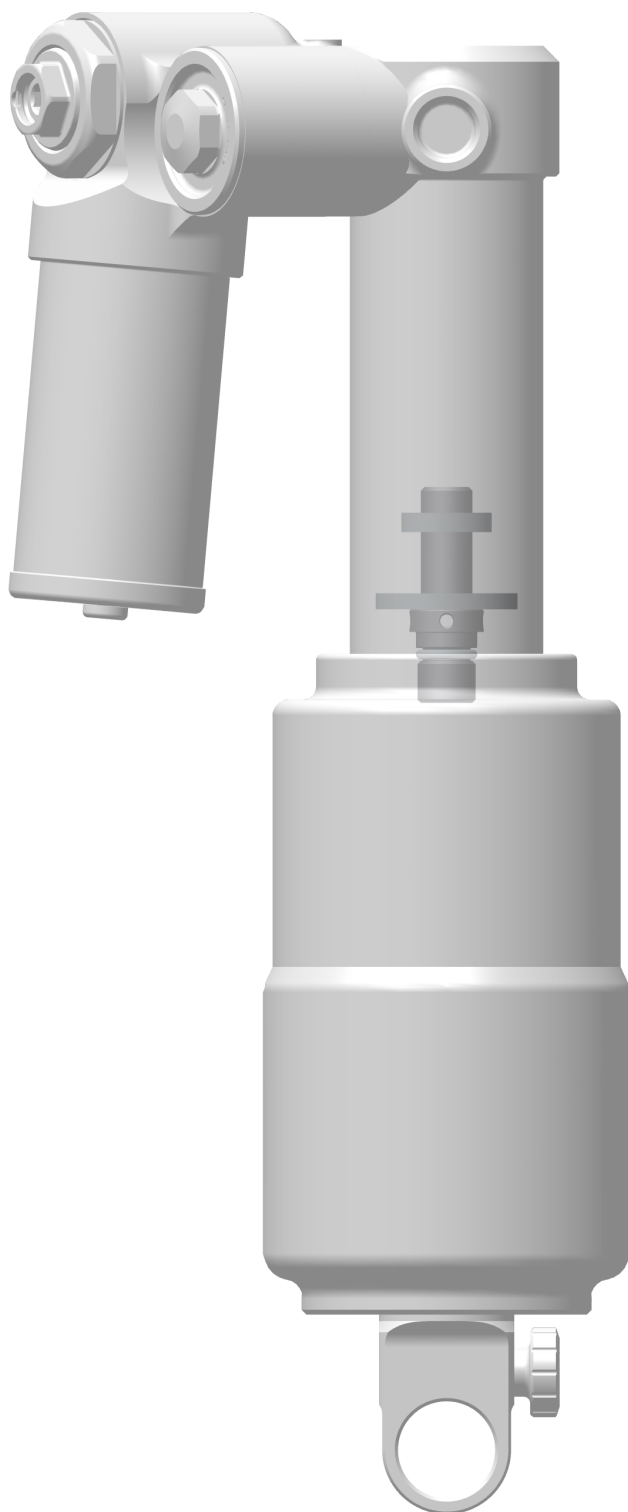
NOMENCLATURE**152017-E-313 et 152017-E-3131**

015SE070/109.5/124					
REP	NAME	TYPE	REF	IND	QTY
1	TIGE ALU 109.5MM	PART	TV03-109.5	A	1
2	POINTEAU 124 MTB	PART	152017D038/124	-	1
3	JOINT TORIQUE 2X1.5 VI	PART	JT020002A3	-	1

152017-E-215 et 152017-E-2151

015SE070/119.5/134					
REP	NAME	TYPE	REF	IND	QTY
1	TIGE ALU 119.5MM	PART	TV03-119.5	A	1
2	POINTEAU 134 MTB	PART	152017D038/134	-	1
3	JOINT TORIQUE 2X1.5 VI	PART	JT020002A3	-	1

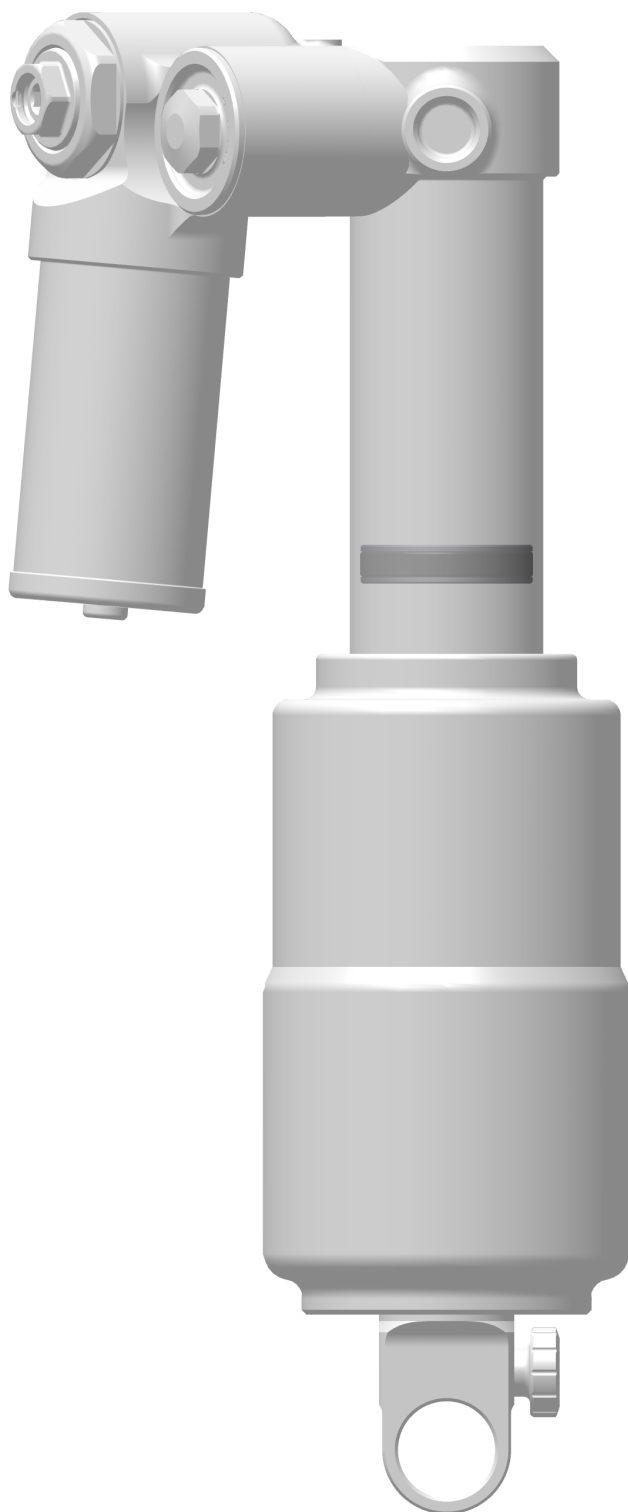
SE N°9 : 018-SE-018 PORTE PISTON



NOMENCLATURE

REP	NAME	TYPE	REF	IND	QTY
1	PORTE PISTON MTB	PART	150807-D-068	-	1
2	JOINT TORIQUE 6.5X1.5	PART	JT065002A3	-	1
3	TOP PLATE ACIER 22MM	PART	150406-D-008	A	1
4	RONDELLE CALAGE 8X14X1 ACIER	PART	VR081410C	-	3

SE N°10 : 020-SE-019-PISTON ALU



NOMENCLATURE

REP	NAME	TYPE	REF	IND	QTY
1	PISTON ALU	PART	152017-D-018	-	1
2	GUIDAGE PISTON	PART	150807-D-016	-	1
3	JOINT TORIQUE 23X1 NBR 70	PART	JT230001A3	-	1

SE N°11 : 047SE001-X MM

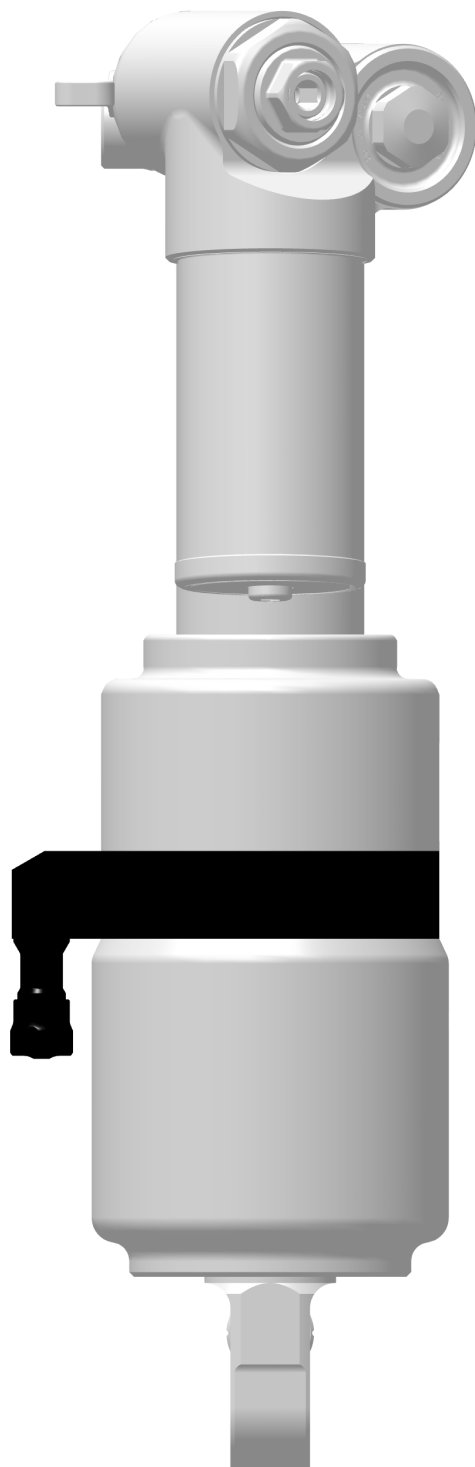


NOMENCLATURE

047SE001-65MM					
REP	NAME	TYPE	REF	IND	QTY
1	CHEMISE AIR 75.5MM	PART	151008D011/6	B	1
2	JONC CHEMISE	PART	151008-D-016	-	1
3	JOINT TORIQUE 46X2	PART	JT460004A3	-	2

047SE001-75MM					
REP	NAME	TYPE	REF	IND	QTY
1	CHEMISE AIR 85.5MM	PART	151008D011/4	B	1
2	JONC CHEMISE	PART	151008-D-016	-	1
3	JOINT TORIQUE 46X2	PART	JT460004A3	-	2

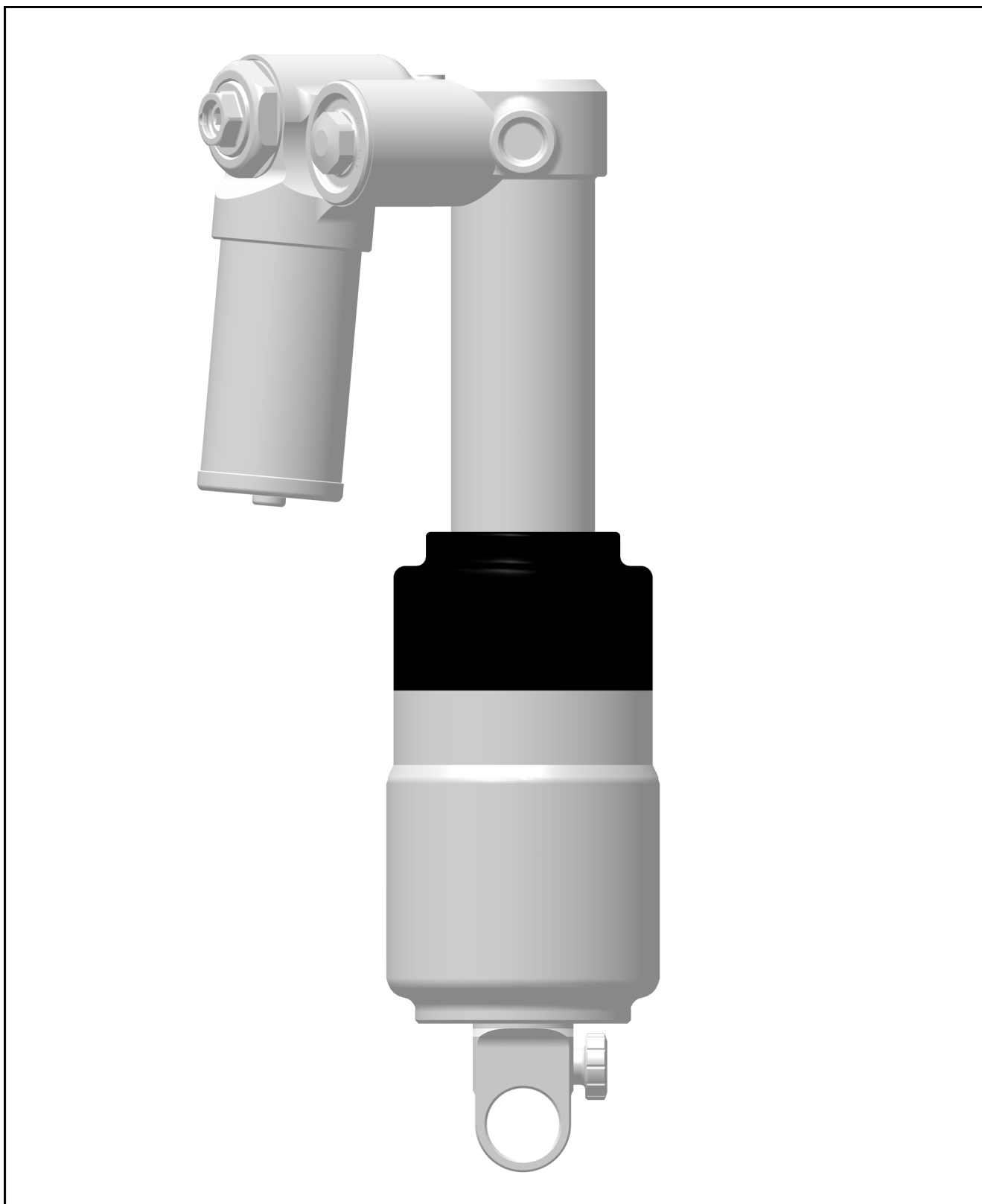
SE N°12 : 047-SE-002-COLLIER VALVE



NOMENCLATURE

REP	NAME	TYPE	REF	IND	QTY
1	BAGUE TOURNANTE	PART	151008-D-008	A	1
2	CORPS VALVE	PART	151310-D-006	C	1
3	JOINT TORIQUE 6X1 NBR70	PART	JT060001A3	-	1
4	OBUS SCHADER	PART	319400	-	1
5	BOUCHON VALVE	PART	151310-D-022	-	1
6	JOINT TORIQUE 6X1.5 NBR70	PART	JT060002A3	-	1

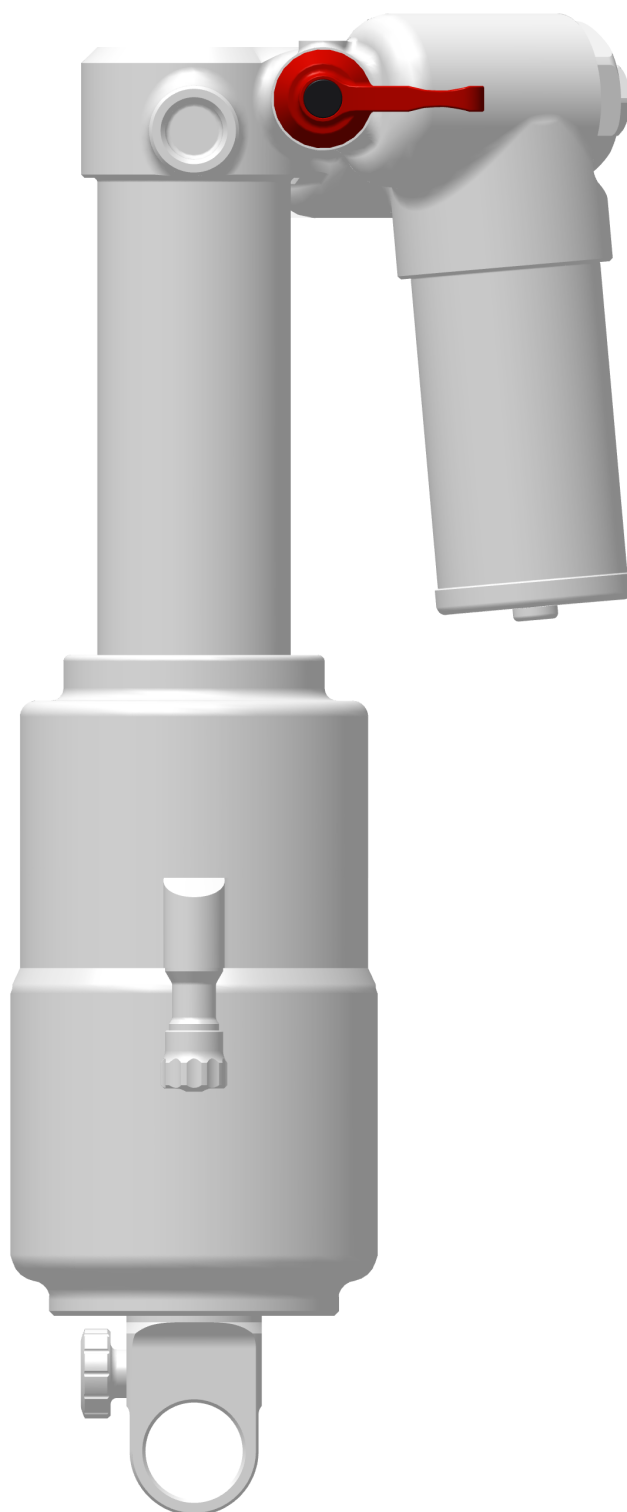
SE N°13 : 047-SE-003-CHAMBRE NEGATIVE



NOMENCLATURE

REP	NAME	TYPE	REF	IND	QTY
1	NEG AIR CHAMBER 3	PART	151008-D-040	-	1
2	GUIDE CHAMBRE	PART	151008-D-041	-	1
3	BAGUE ANTI-EXTRUSION PTFE 34X43.5X1	PART	BAE34530010E	-	1
4	SCRAPPER SEAL_HRDIC 30X38X5 AU	PART	JR03B300D	-	1
5	JOINT TORIQUE 29.82X2.62	PART	JT298206A3	-	1

SE N°14 : 034-SE-001/002 BOUCHON/BARILLET TETE



NOMENCLATURE

034-SE-001-BOUCHON TETE						
REP	NAME	TYPE	REF	IND	QTY	
1	BOUCHON BARILLET	PART	152017-D-016	-	1	
2	JOINT TORIQUE 7X1.5 NBR 70	PART	JT070002A3	-	1	
3	JOINT TORIQUE 9X1 NBR 70	PART	JT090001A3	-	1	
4	CACHE TETE	PART	152017-D-017	-	1	
5	VIS STHC M3X6 INOX	PART	VVSTHC0306A0	-	1	

034-SE-002-BARILLET						
REP	NAME	TYPE	REF	IND	QTY	
1	BARILLET	PART	152017-D-014	-	1	
2	JOINT TORIQUE 9X1 NBR 70	PART	JT090001A3	-	1	
3	JOINT TORIQUE 6X1.5 NBR70	PART	JT060002A3	-	1	
4	JOINT TORIQUE 7X1.5 NBR 70	PART	JT070002A3	-	1	
5	LEVIER	PART	152017-D-015	-	1	
6	VIS FHC M3X12 INOX	PART	VVFHC0312A0	-	1	
7	CLAPET 8X12X0.1	PART	CLAPD0812010	-	1	

www.bos-suspension.com



4, Impasse Léonce Couture – F31200 TOULOUSE

/ +33(0)5 34 25 33 66

sales@bos-suspension.com