

BOSS

SUSPENSION

KIRK

mtbenduroracingshock

KIRK Year 2014 to 2016

All serial numbers



Spare Parts List



Table of contents

1	How to use this document?	1
2	Exploded views.....	2
3	Spare Parts List.....	3

1 How to use this document?

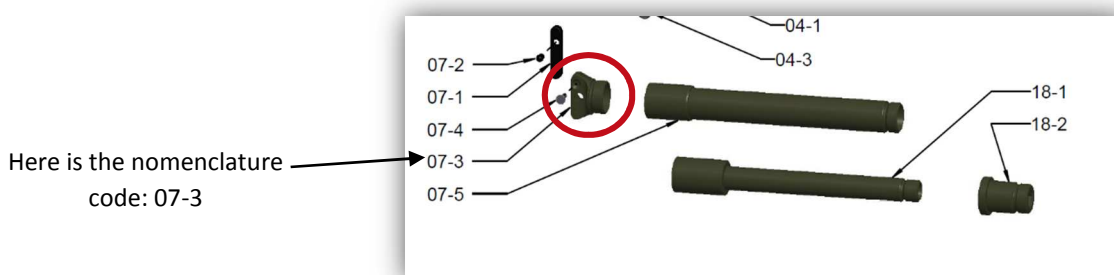
Exploded view will give you the BOS nomenclature code of the required spare part you are seeking to replace.

Once your spare part is located and defined; go through the list to find its reference. This reference will be your reference to state in every exchange with our commercial service.

We mainly sell sub-assemblies spare parts. You should then order the bold reference which include the part you want to replace.

Example:

1. I need to replace the axle cap!
2. I check the explode views (page 3 and 4) to catch its nomenclature code:

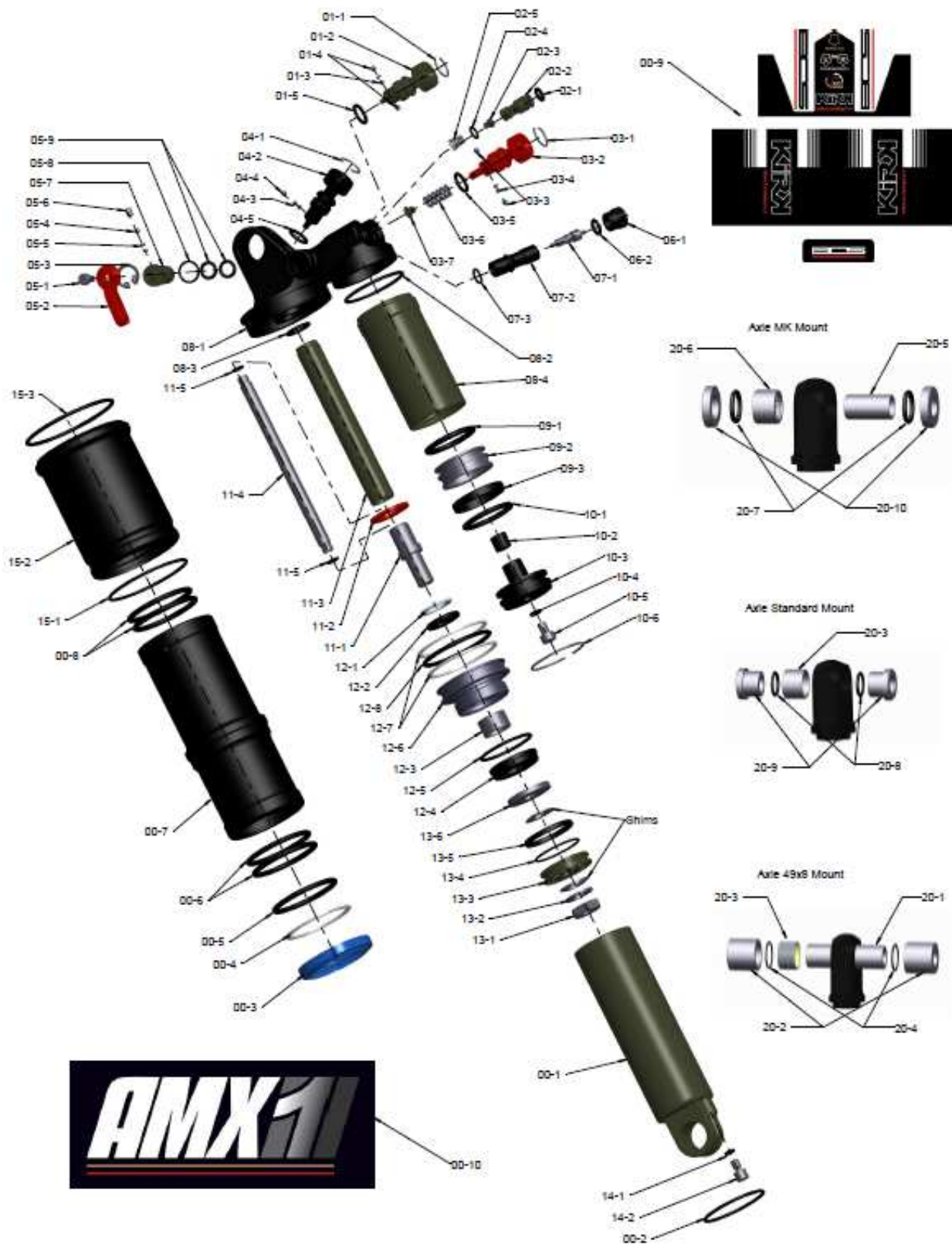


3. I know it is part of the sub-assembly 07. Now I go through the list of spare parts (starting page 5) to find the sub-assembly reference:

	Part Number	Part Name	Qty
	151108-SE-007	20mm Wheel Axle	
07-1	151108-D-063A	Axle Lever	1
07-2	03071-04	Bushing Delrin-Inox	1
07-3	151108-D-062A	Axle Cap	1
07-4	VVFHC0310A0	Countersunk Screw	1
07-5	151108-D-009A1	20 mm Wheel Axle	1

4. I could now order the sub-assembly which includes the part I want to replace. In this case, I will have to order the 20mm Wheel axle, reference n°151108-SE-007, to get my new axle cap mounted on its sub-assembly.

2 Exploded view



3 Spare Parts List

	Part Number	Part Name	Qty
		Spare Parts	
00-2	JT260002B5	O'ring	1
00-6	JT300005A3	O'ring	2
00-9	KITSTICKKIRK	Sticker Kit KIRK	1
00-10	HU01B	AMX1 Oil	1
05-2	151512-D-003B	Lever	1
07-1	319300	Schrader Valve Core	1
11-2	151008-D-017	Muffling Washer	1
13-1	VEHM08A1	Nut	1
13-2	VR081410B	Washer	1
13-6	150406-D-008A	Top Plate	1
14-1	JT025002A3	O'ring	1
14-2	151310-D-017B	Screw	1
	SETKI02	Setting KIRK KI02	1
	SETKI03	Setting KIRK KI03	1
	SETKI04	Setting KIRK KI04	1
	SETKI05	Setting KIRK KI05	1

	Part Number	Part Name	Qty
	150807-SE-0032A	Black Piggy Back Cap Kit	
10-1	JT218906A3	O'ring	1
10-2	130402052	Piggy Back Valve	1
10-3	150807D0072D	Black Piggy Back Cap	1
10-4	JT030002A3	O'ring	1
10-5	VVCHC0406A0	Socket Head Screw	1
10-6	150807-D-008	Retaining Ring	1

	Part Number	Part Name	Qty
	150807-SE-023	Axle mount 49x8	
20-1	150807-D-053	Axle 49x8	1
20-2	150807-D-054	Spacer 49x8	2
20-3	GT01A12C	PAP	1
20-4	JT090002A3	O'ring	2

	Part Number	Part Name	Qty
	150807-SE-025A	Gas Separator Kit	
09-1	JT218906A3	O-ring	1
09-2	150807-D-010D	Gas Seperator	1
09-3	150807-D-016	Piston Guide	1

	Part Number	Part Name	Qty
	150807-SE-030	Bearing Complete Rebuild Kit	
20-5	150807-D-017D	MK Axle	1
20-6	F1010	Needle Bearing	1
20-7	JT100021A3	O'ring	2

	Part Number	Part Name	Qty
	150807-SE-031	Bearing Light Rebuild Kit	
20-5	150807-D-017D	MK Axle	1
20-7	JT100021A3	O'ring	2

	Part Number	Part Name	Qty
	150807-SE-032	Standard Rebuild Kit	
20-8	JT090002A3	O'ring	2
20-3	GT01A12C	DU Bushing	1

	Part Number	Part Name	Qty
	151310-SE-002	Valve Cap Kit	
06-1	151310-D-022	Valve Cap	1
06-2	JT060002A3	O'ring	1

	Part Number	Part Name	Qty
	151310-SE-003	Valve Kit	
06-1	151310-D-022	Valve Cap	1
06-2	JT060002A3	O-ring	1
07-1	319300	Schrader Valve Core	1
07-2	151310-D-006B	Valve Support	1
07-3	JT060001A3	O'ring	1

	Part Number	Part Name	Qty
	151310-SE-005	Shaft Guide	
12-1	BAE16212010E	Split Ring	1
12-2	JT123706A3	O'ring	1
12-3	GT01A12A	DU Bushing	1
12-4	150807-D-005B	Rebound Rubber	1
12-5	JT203503A3	O'ring	1
12-6	151310-D-008C	Shaft Guide	1
12-7	BAE37033710E	PTFE Ring	2
12-8	JT320004A3	O'ring	1

	Part Number	Part Name	Qty
	151310SE009A/1	Air Chamber (222)	
15-3	JT4300005A3	O'ring	1
00-7	151512D016/1B	Air Chamber 222	1
15-1	JT410004A3	O'ring	1
15-2	151512-D-032	Air Chamber SUP 2	1
00-4	BAE34530010E	PTFE Ring	1
00-5	JT298206A3	O-ring	1
00-3	JR03B300D	Seal	1

	Part Number	Part Name	Qty
	151310SE009A/2	Air Chamber (216)	
15-3	JT4300005A3	O-ring	1
00-7	151512D016/2B	Air Chamber 216	1
15-1	JT410004A3	O-ring	1
15-2	151512-D-032	Air Chamber SUP 2	1
00-4	BAE34530010E	PTFE Ring	1
00-5	JT298206A3	O'ring	1
00-3	JR03B300D	Seal	1

	Part Number	Part Name	Qty
	151310SE009A/3	Air Chamber (200)	
15-3	JT4300005A3	O'ring	1
00-7	151512D016/3B	Air Chamber 200	1
15-1	JT410004A3	O'ring	1
15-2	151512-D-032	Air Chamber SUP 2	1
00-4	BAE34530010E	PTFE Ring	1
00-5	JT298206A3	O'ring	1
00-3	JR03B300D	Seal	1

	Part Number	Part Name	Qty
	151310-SE-010	Progressivity Setup Kit	
00-8	JT300005A3	O'ring	10

	Part Number	Part Name	Qty
	151310-SE-011A	Basic service Kit	
00-2	JT260002B5	O'ring	1
00-3	JR03B300D	Scraper Seal	1
00-5	JT298206A3	O'ring	1
14-1	JT025002A3	O'ring	1
14-2	151310-D-017B	Screw	1

	Part Number	Part Name	Qty
	151310-SE-012A	Complete service Kit	
00-2	JT260002B5	O'ring	1
00-3	JR03B300D	Scraper Seal	1
00-5	JT298206A3	O'ring	1
12-1	BAE16212010E	Split Ring	1
12-2	JT123706A3	O'ring	1
12-3	GT01A12A	DU Bushing	1
12-4	150807-D-005B	Rebound Stop	1
12-5	JT203503A3	O'ring	1
12-6	151310-D-008C	Shaft Guide	1
12-7	BAE37033710E	PTFE Ring	2
12-8	JT320004A3	O'ring	1
14-1	JT025002A3	O'ring	1
14-2	151310-D-017B	Screw	1

	Part Number	Part Name	Qty
	151310-SE-013	Air Chamber Sup Kit	
9-1	JT4300005A3	O'ring	1
9-3	151512-D-032	Air Chamber SUP 2	1
9-4	JT410004A3	O'ring	1

	Part Number	Part Name	Qty
	151512-SE-001	Low Speed Knob Kit	
01-1	151512-D-002	Retaining Ring	1
01-2	151512-D-004C	LS Adjuster	1
01-3	RA4025045B	Indexation Spring	1
01-4	B25A	Indexation Ball	2
01-5	JT070002A3	O'ring	1
	Part Number	Part Name	Qty
	151512-SE-003	High Speed Knob Kit	
03-1	151512-D-002	Retaining Ring	1
03-2	151512-D-007C	HS Adjuster	1
03-3	B25A	Indexation Ball	2
03-4	RA4025045B	Indexation Spring	1
03-5	JT070002A3	O'ring	1

	Part Number	Part Name	Qty
	151512-SE-004	Rebound Knob Kit	
04-1	151512-D-002	Retaining Ring	1
04-2	151512-D-006C	Rebound Adjuster	1
04-3	RA4025045B	Indexation Spring	1
04-4	B25A	Indexation Ball	1
04-5	JT070002A3	O'ring	1

	Part Number	Part Name	Qty
	151512-SE-005	Lever Kit	
05-1	VVCHC0308A0	Socket Head Screw	1
05-2	151512-D-003B	Lever	1
05-3	CTA11A	Clip	1
05-4	B25A	Indexation Ball	1
05-5	RA5025045A	Indexation Spring	1
05-6	VVSTHC0304A0	Set Screw	1
05-7	151512-D-001D	Barrel	1
05-8	JT080001A3	O'ring	1
05-9	JT060002A3	O'ring	2

	Part Number	Part Name	Qty
	151512-SE-008	Shaft Eyelet Kit	
08-1	151512-D-008A	Black Shaft Eyelet	1
08-2	JT290002A3	O'ring	1
08-3	JT110002A3	O'ring	1
08-4	150807-D-006A	Piggy Back	1
02-1	JT045002A3	O'ring	1
02-2	151512-D-012	Valve Support	1
02-3	151512-D-014	Valve	1
02-4	JT040001A3	O'ring	1
02-5	151512-D-011	Shim Spring	1

	Part Number	Part Name	Qty
	151512SE011/1	Shaft Unit 222	
11-1	151512-D-009	Rod end	1
11-3	151310D015/1A	Shaft 222	1
11-4	151512D015/1	Transmission 222	1
11-5	JT040001A3	O'ring	2

	Part Number	Part Name	Qty
	151512SE011/2	Shaft Unit 216	
11-1	151512-D-009	Rod end	1
11-3	151310D015/2A	Shaft 216	1
11-4	151512D015/2	Transmission 216	1
11-5	JT040001A3	O'ring	2

	Part Number	Part Name	Qty
	151512SE011/3	Shaft Unit 200	
11-1	151512-D-009	Rod end	1
11-3	151310D015/3A	Shaft 200	1
11-4	151512D015/3	Transmission 200	1
11-5	JT040001A3	O'ring	2

	Part Number	Part Name	Qty
	151512-SE-013	Piston Kit	
13-3	151512-D-017	Piston	1
13-4	JT180001A3	O'ring	1
13-5	151310-D-019	Piston Guide	1

	Part Number	Part Name	Qty
	151512SE014/2	Corps 216 15x12,7	
00-1	151512D018/2	Corps (216) 15x12,7	1
00-2	JT260002B5	O'ring	1
14-1	JT025002A3	O'ring	1
14-2	151310-D-017B	Screw	1

	Part Number	Part Name	Qty
	151512SE014/3	Corps 200 15x12,7	
00-1	151512D018/3	Corps (200) 15x12,7	1
00-2	JT260002B5	O'ring	1
14-1	JT025002A3	O'ring	1
14-2	151310-D-017B	Screw	1

	Part Number	Part Name	Qty
	151512SE015/1	Body (222)	
00-1	151512D005/1A	Corps (222)	1
14-1	JT025002A3	O'ring	1
14-2	151310-D-017B	Screw	1

	Part Number	Part Name	Qty
	151512SE015/2	Body (216)	
00-1	151512D005/2A	Corps (216)	1
14-1	JT025002A3	O'ring	1
14-2	151310-D-017B	Screw	1

	Part Number	Part Name	Qty
	151512SE015/3	Body (200)	
00-1	151512D005/3A	Corps (200)	1
14-1	JT025002A3	O'ring	1
14-2	151310-D-017B	Screw	1