

BOSS
SUSPENSION

IDYLLE
FAV

User Manual

WARRANTY



Terms and conditions

BOS Suspension offers warranty on its products on the following terms: BOS guarantees to the original purchaser that the BOS product for which they received this warranty is free from defects in material and workmanship for one year from the date of original retail purchase. A proof of purchase will be asked for any warranty claim. This warranty is not transferable to a subsequent purchaser.

Wear and tear parts such as dust seals, O-rings, bushings, rear shock mounting hardware, stanchions, threaded parts and bolts are not covered under this warranty.

Terms

This warranty is subject to legal jurisdictional or warranty rights of the country where it has been originally purchased, which will prevail if different from the terms herein listed.

Limits

BOS Suspension cannot be liable for any loss, inconvenience damages, whether direct, incidental, consequential, resulting from the use of its products, local legislation prevailing.

Warranty exclusions

This warranty does not cover the following cases:

- Damage to products resulting from improper assembly other than listed below
- Products that have been modified by the owner or a third party
- Improper use
- Damages resulting from an accident or a crash under any circumstances
- Invalid servicing procedures and servicing time frame not respected
- Replacement of the original parts by parts from others manufacturers
- Products whose serial numbers has been altered, defaced or removed.

Warranty procedure

The owner should always refer to an approved BOS service center for any warranty claim. A proof a purchase is compulsory for any warranty claim. Otherwise the warranty claim will not be considered. Always contact BOS Suspension warranty department before returning any products that may fall under this warranty. If "the faulty parts" do not fall under warranty, the customer will be charged for any costs in respect with warranty such as transport and package back and forth.

1. Assembly

Fitting your Idylle RaRe FCV onto your bike requires care and attention. For your safety, please follow these instructions.

1.1 The steer tube

Before cutting the steer tube, first take some measurements: height of the headset, length of the frame's head tube, height of the stem and then add 5 to 10mm.

Calculate the length as below:

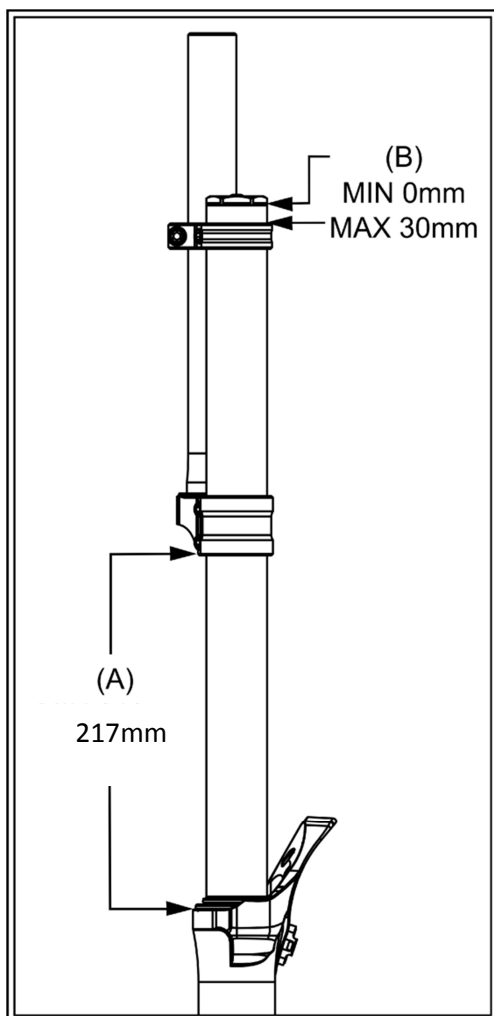
Length of the head tube of the frame + height of the headset + height of the stem + 5 to 10mm.

Caution:

Never attempt to remove or replace the steer tube independently from the lower crown. Modification of the integrated crown-steerer can cause catastrophic assembly failure.

1.2 Adjusting stanchion position in the crowns

Depending on the bicycle, the position of the fork in the crowns can vary slightly. However, you must maintain the following measurements to ensure the fork's function and your security.



The lower crown height ensures the full use of fork travel and tire clearance. Use the following measurements to set your lower crown height. This height is measured from the top of the fork leg (the bottom of the visible part of the dust seal) to the bottom of the lower crown.

27.5"-wheel model forks: 217mm

CAUTION

This measurement match with a maximum of 705mm tire diameter.

The distance between the top of the upper crown and the top of the stanchion must be between 0mm and 30mm (B).

Once you have assembled the crowns and adjusted the heights to the measurements above, you may proceed to the tightening the bolts. USE THE FOLLOWING BOLT TORQUES.

All crown bolts must be torqued to: 4 - 5 n.m (35 to 44 in-lbs.)

Caution:

For Idylle RaRe FCV forks, do not clamp the crowns past the stanchion cutouts. This will result in damage to your fork.

1.3 Installing the front wheel

To assemble the front wheel, follow this procedure:

1. Loosen the four axle pinch bolts on the fork lowers and remove the axle .
2. Install the front wheel into the dropouts.
3. Put a small amount of grease on the thread of the axle .
4. Lightly tighten the axle to the lower leg.
5. Tighten the two left side (caliper side) dropout pinch-bolts to to 4-5 N.m torque.
6. Compress the fork twice without braking to release residual tension and tighten the two right side dropout pinch-bolts to 4-5 N.m torque.

To disassemble the wheel, follow these instructions in reverse.

1.4 Mounting the brake caliper

The Idylle brake caliper bolt pattern uses a post mount 160 (PS160) standard mount. Follow the disc brake manufacturer's recommendations for installation and the following guidelines.

The disc brake caliper mounting bolts must have 10 mm of thread engagement with the fork.

The disc brake caliper mounting bolt tightening torque level must never exceed 10 n.m.

2. Settings

2.1 Air Pressure

The first adjustment that should be done on the fork before riding is to set the air pressure. This adjusts the stiffness of the air spring according to your weight. The stiffness of the air spring induces a degree of fork travel when you sit on your bike. This value, commonly called sag, can vary based on your usage. This value should be between 30mm (smooth terrain/climbs) and 50mm (rough terrain/downhills). The sag measurement should be taken with both feet on the pedals and both hands on the bars, arms and legs in riding position.

To achieve the best performance from your BOS product, it is important to set your optimal pressure. **The chart below will give you some base values based on your weight. Your specific pressure may vary based on your riding style and personal preference.** However, do not stray too far from the indicated pressures, or you may risk changing the performance of your fork.

Recreational Use:

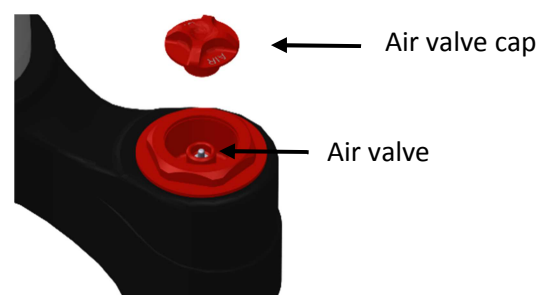
Weight (Kg/lbs)	60/132	65/143	70/154	75/165	80/176	85/187	95/210
Pressure (psi) +/-10 PSI	153	163	171	180	187	194	207

Racing Use:

Weight (Kg/lbs)	60/132	65/143	70/154	75/165	80/176	85/187	95/210
Pressure (psi) +/-10 PSI	160	169	179	187	195	202	216

Caution :

Minimum pressure: 135 PSI
Maximum pressure: 250 PSI



FCV System

Your Idylle FCV is equipped with the frequency control valve system. This system has been carefully tuned at the factory to balance rider comfort and rider support. The system can be made more supple (and less supportive) or more supportive (and less supple) with an internal adjustment. If you would like to have your system tuned to match your riding style, please contact your certified BOS service center.

Important :

Air Chamber Equalization

You must equalize the positive and negative air chambers each time you adjust your pressures. If the air chambers are not equalized, the fork will not function properly.

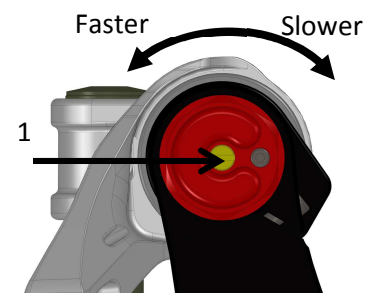
Use the following instructions:

During the pressure adjustment, compress and release the fork over the first inches of travel 5-10 times to equalize air pressure between chambers. Once this step is done, you're ready to roll!

2.2 Hydraulic Adjustments

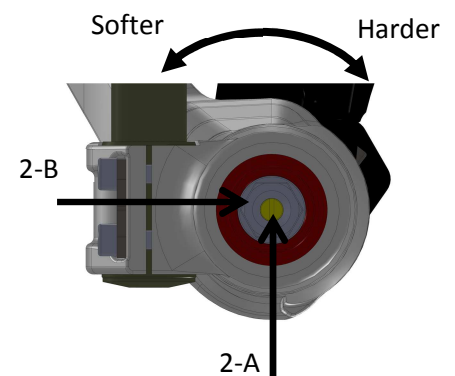
The Idylle Rare FCV has one rebound setting and two compression settings (high and low-speeds).

The rebound setting is adjusted via the screw on top of the right stanchion (1)



The low-speed compression setting is adjusted via the screw on the bottom of the right stanchion. (2-A)

The high-speed compression setting is adjusted via the 14mm bolt on the bottom of the right stanchion. (2-B)



Important :

To start your adjustment, turn the adjuster all the way clockwise (clicks = 0). Clicks are then counted one at a time while turning the adjuster in the counter-clockwise direction.

Setting Ranges:

It is difficult to give a "magical solution" to hydraulic settings as these are linked to a number of different parameters such as the influence of the rear suspension settings, the air spring pressure, the position of the fork in the crowns, and the geometry of the bike. This is not to mention personal rider preference. That being said, we can offer the following general advice.

- Fork diving excessively on braking: harden low-speed compression
- Frequent bottom-out: harden high-speed compression
- Feeling of harshness on roots and rocks: soften high-speed compression
- Discomfort, arms getting sore: soften low-speed compression
- Fork stays low over successive impacts and doesn't spring back: speed up rebound
- Bike sits too high in travel: slow down rebound

It is worth considering other parameters that may be influencing the performance of the fork, especially if you find yourself very far from the base settings. Change your settings in steps, only adjust one setting at a time, and only open or close the one setting by a few clicks at a time. If you find yourself lost in the settings, reset to the base settings and start over again.

Base settings – Idylle RaRe FCV

Rebound:

Recreational use: 20 clicks

Racing use: 19 clicks

Low-speed compression:

Recreational use: 15 clicks

Racing use: 11 clicks

High-speed compression:

Recreational use: 20 clicks

Racing use: 16 clicks

3. Maintenance

3.1 Air purge

The Idylle RaRe FCV is equipped with an air purge screw on the top of each stanchion. Purging the air regularly reduces the effect of the air pressure that is invariably created in the fork during use. It is recommended to purge the air every 5 rides in racing use and every 10 rides in recreational use. To purge residual air, remove the screw entirely and replace the screw – tighten till snug, do not compress the fork.

3.2 Service

It is essential to clean your fork after each day of riding without waiting. Nothing is worse for the life of your seals than dirt and dust. The cleaning process is also extremely simple: clean the stanchions and seals with a clean rag. You can occasionally lubricate the exterior of the seal with fork oil. The following chart shows the minimum service intervals for your fork. If you ride mostly in wet and muddy conditions, please follow the “racing use” service intervals.

Warning: Do not under any circumstances use degreaser.

On the same note, do not power wash the forks! It will only push the mud inside the forks and get it stuck between the stanchion and the seals.

	Cleaning	Air purge	Oil change	Complete service
Recreational use	Each ride	Every 10 runs	Annually	Every 2 years
Racing use	Each ride	Every 5 runs	Twice per year	Annually

Caution :

Oil changes and service should be performed at an official BOS service center. These are the only locations able to identify and resolve damaged or worn parts on your product, especially in the case of extreme shocks or premature wear on structural elements such as the lowers, stanchions, or crowns.

3.3 Oil Levels

During an oil change, make sure to correctly set the oil height on the hydraulic side and the spring side of your fork. The correct oil heights are indicated in the chart below.

Caution :

To correctly set the oil height on the hydraulic side of your fork, purge the cartridge as you are adding oil. Once the cartridge is completely purged (hydraulic shaft is difficult to move across its whole travel), set the final oil height.

How to set the oil height:

- Push the stanchion all the way down
- Lift the hydraulic shaft all the way up
- Measure the height between the top of the stanchion and the top of the oil with a clean ruler

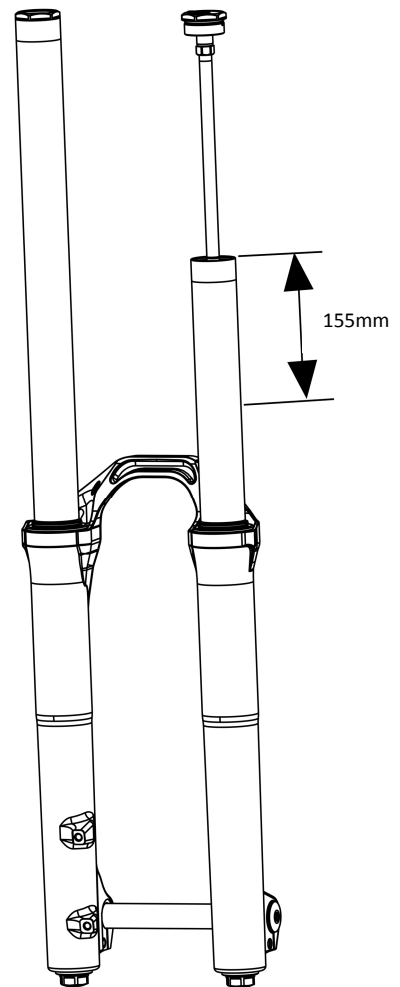
Oil Heights

	IDYLLE Rare FCV
Hydraulic side (right)	155 mm
Air side standard (left)	20 ml
Air side "Evo" (left)	40 ml

Standard Rod Guide



"Evo" Rod Guide



Important :

It is strongly recommended to use BOS Bi'oil. Changing the type of oil risks changing the fork's performance and reducing the life of wear parts.

My fork loses pressure when I remove the pump, what can I do?

Check the valve core tightness using a Schrader valve core tool.

My fork has negative travel, is this normal?

The BOS air spring is designed to lower the engagement threshold as much as possible. Therefore, it is possible on some bikes that there will be a small negative travel.

Where can I buy replacement stickers or a valve cap?

These items and more are available in our online store.

My new fork has bushing play, what should I do?

The unique bushing alignment and tolerance on BOS forks results in less friction, more sensitivity, and some bushing play from the factory. If the bushing play feels abnormally excessive, please contact a BOS service center for help.

My fork is lowering as I deflate it, what is happening?

When you deflate the fork by the Schrader valve, you are only emptying the positive air chamber. The negative air chamber stays under pressure and exerts an opposing force on the air piston and pulls the fork down. To avoid this phenomenon, deflate the fork in steps of 30-40 PSI and equalize the air chambers between steps (compress and release the fork 5-10 times over the first 20mm – 1 inch) of travel.

I just inflated my fork for the first time and it is really hard, what can I do?

Have you equalized your fork's air chambers? If not, check how it's done in the setup section of your product's user manual.

Did you change your fork's settings? Check that your low-speed and high-speed compression are at our recommended base settings given in the setup section of your product's user manual.

If you've equalized your fork, you may have some internal pressure from the production process. You can eliminate this pressure by slipping a thin zip tie between your left dust seal and your stanchion until you hear the sound of air escaping. Then reset your pressure and equalize your air chambers.

If you've tried all that and your fork is still hard, email customer service and they'll give you a hand.

My fork was upside down or on its side and now it feels like there's no hydraulic control.

Your cartridge has depurged – air has entered the hydraulic system. Open bath cartridges like the one used in your fork allow air to mix with oil. The cartridge purges itself as you ride. You can purge the fork even faster by cycling it through its full travel 5-10 times.

If it is becoming increasingly difficult to purge your cartridge, it may be time for an oil change. Contact your closest BOS authorized service center for a basic or a full service.

I have about 5mm of travel unused when I ride normally.

Our forks are designed to be very progressive at the end of travel to give you a bottomless feeling. This means that those last couple millimeters of travel might only be used on the biggest hits or when you case a landing. You can think of them as insurance to get you out of the trickiest situations. If you have more than about 5% of your travel unused, try lowering your air pressure by 5PSI and check your compression settings. If your compression settings are much harder than our recommended values, try bringing them closer to the base settings in your product's user manual.

I have grease/oil coming out of my brand new fork seals.

This is not unusual at the beginning of the life of a fork. Clean off the stanchions and the seals and it will stop after a few rides.

My fork has been sitting for a couple of weeks and some oil came out of the seal when I rode it the first time.

BOS seals can let out a little bit of oil when they have been sitting and dried out. Wipe off any oil, and none more will come out when the seal is lubricated again.

I have grease/oil coming out of my well-ridden fork seals.

It's time for a service! Contact your nearest BOS authorized service center for a full service.

But I haven't reached your recommended service interval yet.

Our recommended service intervals cannot cover 100% of customer's usage cases. Use in wet, muddy conditions; storage out in the sun; frequent use; or improper care can all cause your seals to wear out more quickly.

Where can I find my serial number?

The serial number is engraved under the steer tube, it's composed of 7 numbers.

How can I adjust my FCV?

The FCV is a very precise, internal system who is preset in our factory.

I've no been completely successful in doing my own adjustments. What can I do?

The internal tuning (settings/FCV/air damper) is tuned at the factory to correspond to most riders, however it's possible to adapt all of these parameters to match with your weight, your use and your style. Even so, to optimize your set up please contact your BOS service center.

For any other questions, please visit our FAQ page on the BOS website or send us a message to customerservice@bosmtb.com

